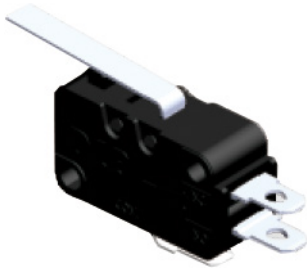
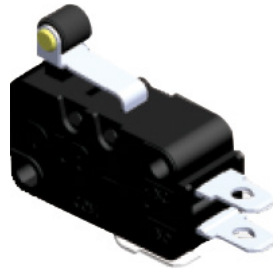


RoHS  
Compliant



MP000780  
MP000781  
MP000782  
MP000783



MP000784  
MP000785  
MP000786  
MP000787



MP000788  
MP000789  
MP000790  
MP000791

## Feature

- Solder and Quick-Connect Terminals

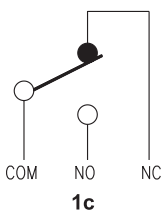
## Applications

- Notebook
- Audio equipment
- White goods

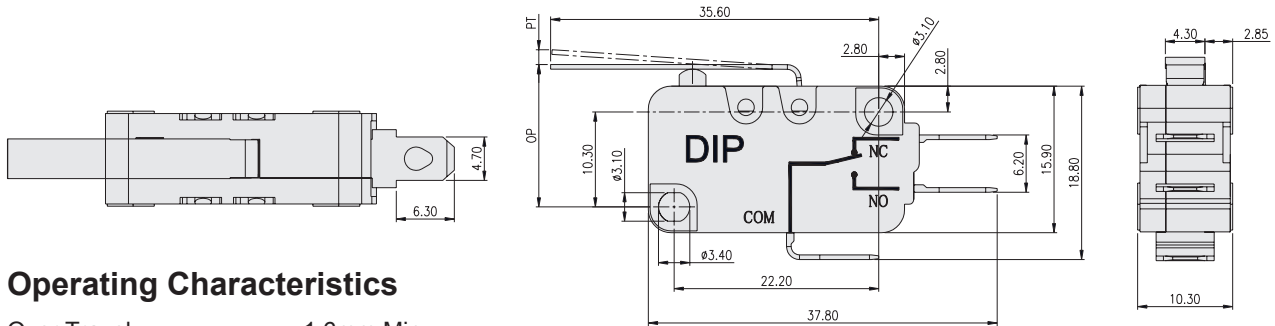
## Specifications

Contact Rating	: 5A at 250V AC
Mechanical Durability	: 5,000,000 cycles (60 Operations/min)
Electrical Durability	: 1,00,000 cycles (30 Operations/min)
Contact Resistance	: 100mΩ max.
Insulation Resistance	: 100MΩ min. (at 500V DC)
Dielectric Strength	: Between terminals of the same polarity: 600V AC (50Hz or 60Hz) shall be applied across terminals for 1 minute Between each terminal and ground: 1500V AC (50Hz or 60Hz) shall be applied across terminals for 1 minute Between each terminal and n-current-carrying metal parts 1500V AC (50Hz or 60Hz) shall be applied across terminals for 1 minute
Operating Frequency	: Mechanical: 120 operations/min max. Electrical: 20 operations/min max.

### Circuit



## MP000780, MP000781, MP000782 & MP000783



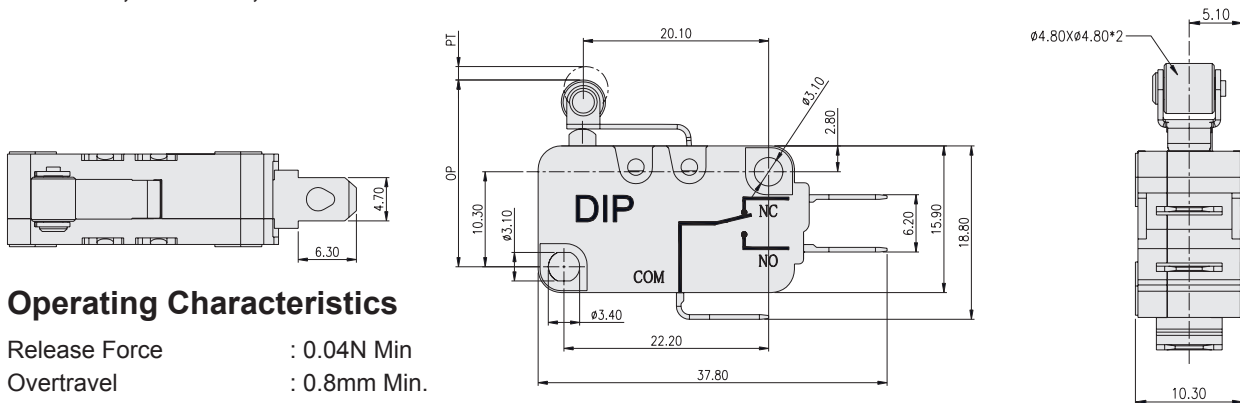
### Operating Characteristics

- Over Travel : 1.6mm Min.
- Movement Differential : 0.8mm Max.
- Operating Position : 15.2mm ±1.2mm
- Pretravel : 4mm Max.
- Actuator : Hinge Lever

Operating Force	
MP000780	0.49N Max.
MP000781	0.49N Max.
MP000782	0.98N Max.
MP000783	0.98N Max.

Dimensions : Millimetres

## MP000784, MP000785, MP000786 & MP000787



### Operating Characteristics

- Release Force : 0.04N Min
- Overtravel : 0.8mm Min.
- Movement Differential : 0.5mm Max.
- Operating Position : 20.7mm ±0.6mm
- Pretravel : 1.6mm Max.
- Actuator : Short Hinge Roller Lever

Operating Force	
MP000784	0.49N Max.
MP000785	0.49N Max.
MP000786	0.98N Max.
MP000787	0.98N Max.

Dimensions : Millimetres

