

Type: **M22-PVS**
 Article No.: **216879**



With 1 key, not suitable for master key systems

Key operated release

Ordering information

Description			MS1 individual lock mechanisms
Colour			RAL 3000

Colour



Note concerning the product



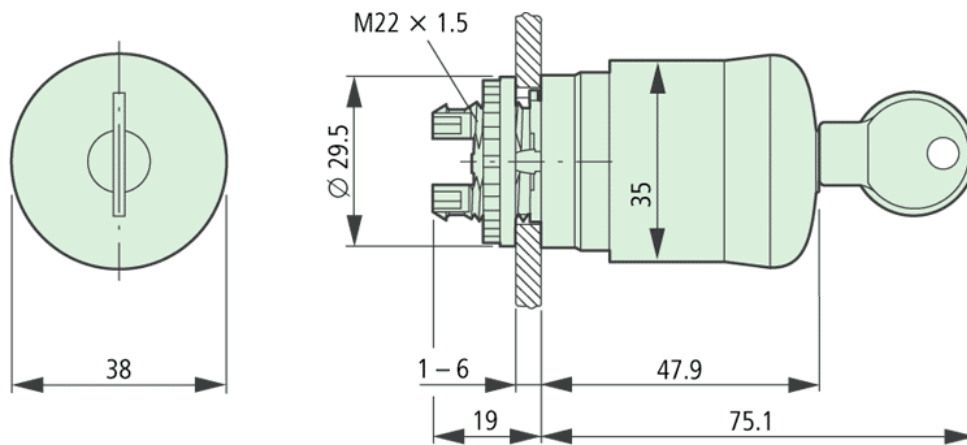
General

Standards			IEC/EN 60947 VDE 0660
Lifespan, mechanical	Operations	$\times 10^6$	> 0,1
Operating frequency	Operations/h		600
Operating force		n	50
Degree of protection, IEC/EN 60529			IP67, 69K
Climatic proofing			

			Damp heat, constant, to IEC 60068-2-78 Damp heat, cyclic, to IEC 60068-2-30
Ambient temperature			
Open		°C	-25/70
Mounting position			As required
Mechanical shock resistance according to IEC 60068-2-27 Shock duration 11 ms, half-sinusoidal		g	> 50

Dimensions

Dimensions



Moeller GmbH, Hein-Moeller-Str. 7-11, D-53115 Bonn
 E-Mail: catalog@moeller.net, Internet: www.moeller.net, <http://catalog.moeller.net>
 Copyright 2006 by Moeller GmbH. Subject to modifications. HPL-C2006GB-INT V2.3