



DATA SHEET

44423217

EPIC[®] MHB 4 CM

Valid from:
22.02.2017

Description

- Power module 4-pin for compact power transmission
- Crimp connection for permanent vibration-proof contact
- EPIC[®] MH system is mateable with the market standard
- The mix of different functions is one plug guarantees high flexibility



General characteristics

Contact type	socket
Number of contacts	4
Mating cycles	500
Material	Polyamide, glass fibre-reinforced
Inflammability class acc. with UL 94	V0
Pollution degree	3
Temperature range	-40° C to +125° C
Termination methods	crimp termination: 1,5 – 10 mm ² Epic [®] MH 6 multi-frame Epic [®] MH 10 multi-frame Epic [®] MH 16 multi-frame Epic [®] MH 24 multi-frame Epic [®] MH 4.0mm contacts
Suitable frame	
Suitable contacts	

Electrical characteristics

Rated voltage	830 V
Contact resistance	< 5 mΩ
Rated impuls voltage	8 kV
Rated current	40 A

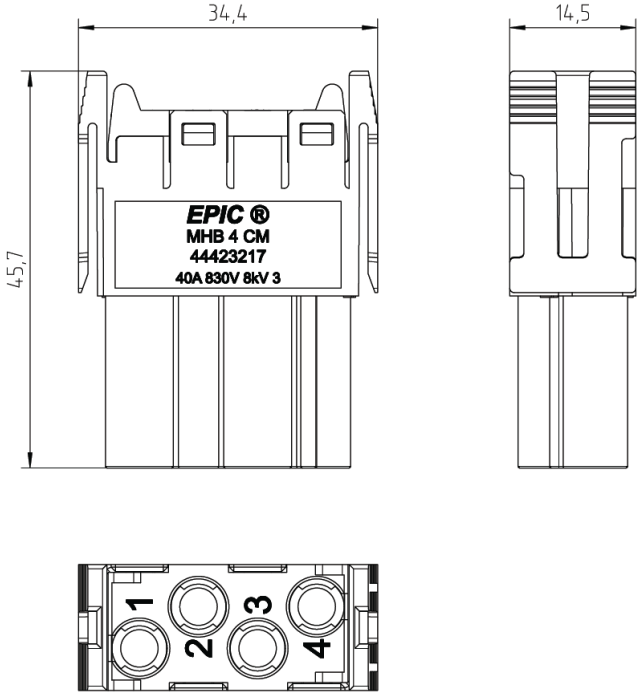
Standards/Approvals

Fire protection on railway vehicles	according EN 45545-2 requirement sets R22 and R23 hazard level HL1, HL2 and HL3
-------------------------------------	---



DATA SHEET	44423217
EPIC® MHB 4 CM	Valid from: 22.02.2017

Drawings



Note

Photographs are not to scale and do not represent detailed images of the respective products.

Creator: MANA2/PDP Released: IVSE1/PDP	Document: DB44423217EN Version: 00	Page 2 of 2
---	---------------------------------------	---------------------------

We reserve all rights according to DIN ISO 16016.