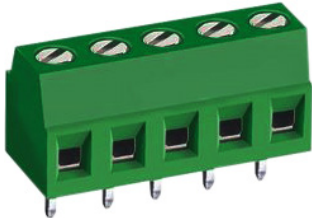


3.81mm Screw PCB Terminal Single Mold

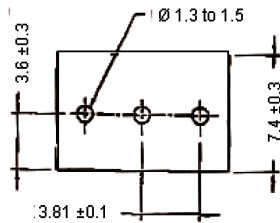
multicomp PRO

**RoHS
Compliant**

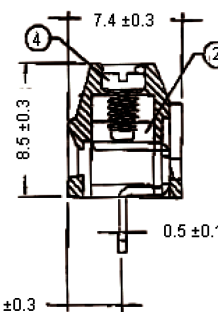
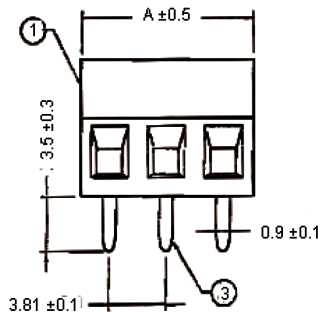
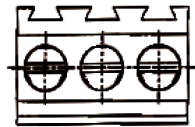


Specifications:

Rating current	: 10A, 300V AC
Min. insulation withstand voltage	: 2,000 V AC
Insulation resistance	: > 2,000MΩ 500 V DC
Operating temperature	: -55°C to +105°C
Wire strip length	: 4 to 5 mm
Wire range	: 16 to 26 AWG
Screw torque	: 2 lb-inch



PCB Layout



Dimensions : Millimetres

Dimensions Table

Pitch : 3.81mm (0.15 inch)		
Poles	A (mm)	A (Inch)
2	7.62	0.3
3	11.43	0.45
4	15.24	0.6
5	19.05	0.75
6	22.86	0.9
8	30.48	1.2
10	38.1	1.5
12	45.72	1.8

Specification Table

Item No	Material		Plating / Finish	Remark
1	Insulating Body	Polyamide 66	-	Green
2	Cage Clamp	Brass	Ni Plated	-
3	Terminal		Tin Plated	-
4	Screw	Steel	Ni Plated	-

Newark.com/multicomp-pro
Farnell.com/multicomp-pro
Element14.com/multicomp-pro

multicomp PRO

3.81mm Screw PCB Terminal Single Mold

multicomp PRO

Part Number Table

Description	Part Number
Terminal Black PCB 3.81mm Screw 02 Way	MC000018
Terminal Black PCB 3.81mm Screw 03 Way	MC000019
Terminal Black PCB 3.81mm Screw 04 Way	MC000020
Terminal Black PCB 3.81mm Screw 05 Way	MC000021
Terminal Black PCB 3.81mm Screw 06 Way	MC000022
Terminal Black PCB 3.81mm Screw 08 Way	MC000023
Terminal Black PCB 3.81mm Screw 10 Way	MC000024
Terminal Black PCB 3.81mm Screw 12 Way	MC000025

Important Notice : This data sheet and its contents (the "Information") belong to the members of the AVNET group of companies (the "Group") or are licensed to it. No licence is granted for the use of it other than for information purposes in connection with the products to which it relates. No licence of any intellectual property rights is granted. The Information is subject to change without notice and replaces all data sheets previously supplied. The Information supplied is believed to be accurate but the Group assumes no responsibility for its accuracy or completeness, any error in or omission from it or for any use made of it. Users of this data sheet should check for themselves the Information and the suitability of the products for their purpose and not make any assumptions based on information included or omitted. Liability for loss or damage resulting from any reliance on the Information or use of it (including liability resulting from negligence or where the Group was aware of the possibility of such loss or damage arising) is excluded. This will not operate to limit or restrict the Group's liability for death or personal injury resulting from its negligence. Multicomp Pro is the registered trademark of Premier Farnell Limited 2019.

Newark.com/multicomp-pro
Farnell.com/multicomp-pro
Element14.com/multicomp-pro

multicomp PRO