

Safety isolating transformer

ACT 100



Picture shows ACT 100

Advantages

Integrated short-circuit and overload protection thanks to temperature fuse in the input and fuse in the output (ACT 10 only temperature fuse)

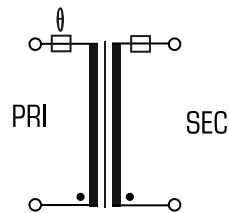
Permanent corrosion protection, high insulation value and maximum electrical reliability thanks to XtraDenseFill resin encapsulation

Robust plastic housing for rail mounting, e.g. in consumer units or meter mounting boards

Applications

Safety isolating transformer for the safe electrical isolation of the input and output sides. The transformer is suitable for creating SELV and PELV circuits because of the limit on the output voltage.

Sample application



Standards

Safety isolating transformer
to: VDE 0570 Part 2-6, DIN EN 61558-2-6, EN 61558-2-6, IEC 61558-2-6

Approvals



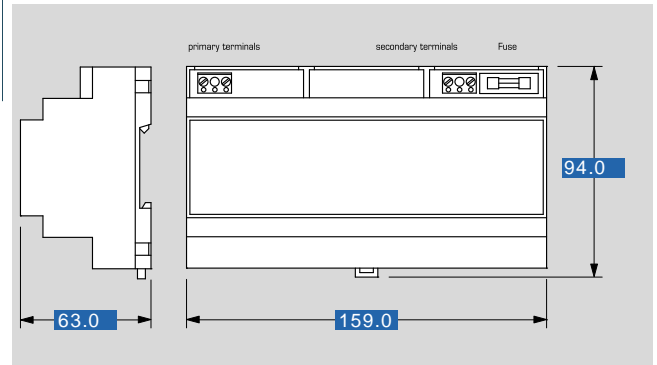


Safety isolating transformer

ACT 100

Type		ACT 100
Electrical data	Input	
	Rated input voltage	230 Vac
	Rated frequency	50 - 60 Hz
	Output	
	Rated output voltage	24 Vac
	Rated Power	100 VA
	Environment	
	Ambient temperature max.	25 °C
	Type of cooling	self-cooling
	Safety and protection	
	Type	Resin encapsulated transformer
	Insulation class	B
	Protection index	IP 00
	Safety class (prepared)	II
	Short circuit strength	non-inherently short-circuit proof
Test voltage	3750 Vac, 50 Hz	
Order numbers		
Order Number	ACT 100	

Type		ACT 100
Mechanical data	Terminal and mounting	
	Fixing method	Panel installation on mounting rails
	Terminals	Screw-type terminal
	Measures and weights	
	Weight	1.93 kg



Subject to change.