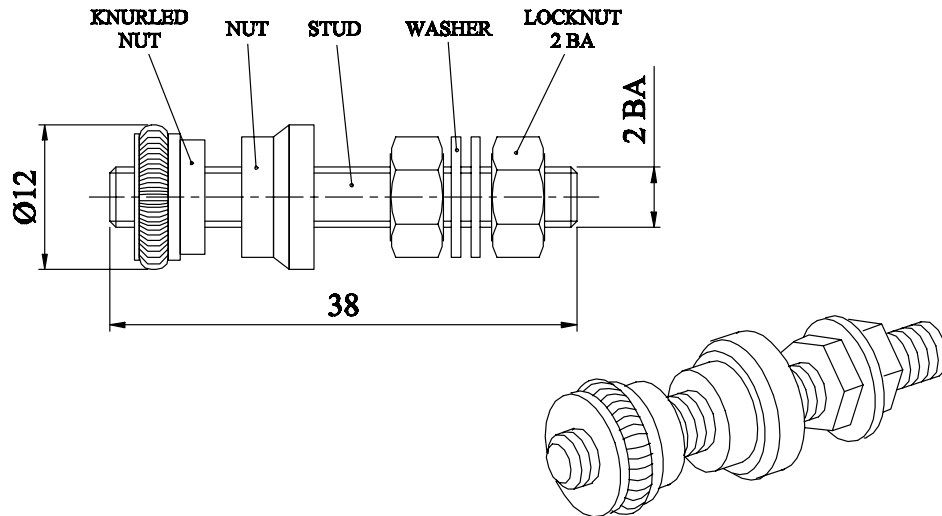


A non-insulated terminal binding post, manufactured from nickel plated brass, rated at 30 Amps, with a non-captive 2 BA nut. Can be used on a maximum of 12,5mm panel thickness.

MATERIAL
LOCKNUT : Brass, bright nickel plate
WASHER : Brass, bright nickel plate
STUD : Brass, bright nickel plate
NUT : Brass, bright nickel plate
KNURLED NUT : Brass, bright nickel plate
Maximum Current Rating : 30 Amps

Dimensions



CONVERTED FROM PS0388 ISS2 (13.06.94) IN JAN 2003

DrgNo 351-0000		TITLE TERMINAL BINDING POST			ALL DIMENSIONS IN MM ANGLES IN DECIMAL DEGREES	
ISSUE 2	GENERAL SPECIFICATION FOR 351-0000		CUSTOMER		FILTER REF	
	Aprvd Date 15/10/03	Aprvd By MC	Drwn by BS	Scale: NTS	Sheet 1 / 1	