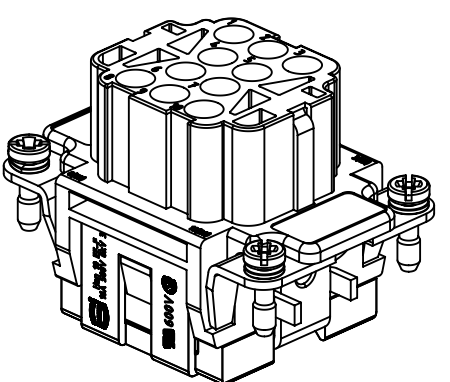
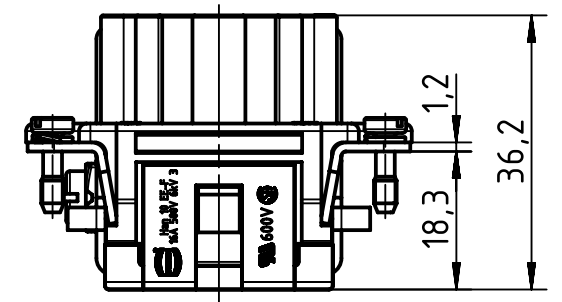
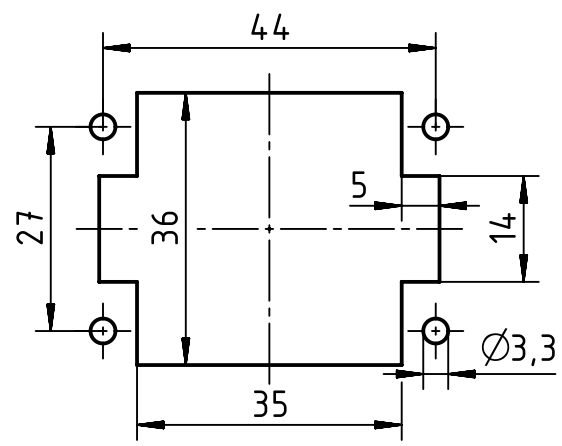


panel cut out



	All Dimensions in mm Original Size DIN A4		Scale 1:1	Free size tol.		Ref.
			Created by VOLAR	Inspected by PRIESTER	Standardisation TIEMANNA	Sub.
All rights reserved Department EL PD - DE		Title Han EE 10 Pos. Insert Female Crimp		Date 2016-07-13	State Final Release	
HARTING Electric GmbH & Co. KG D-32339 Espelkamp		Type TB	Number 09 32 010 3101		Doc-Key / ECM-Nr. 100218067/UGD/006/B 500000096799	Rev. B
						Page 1/1