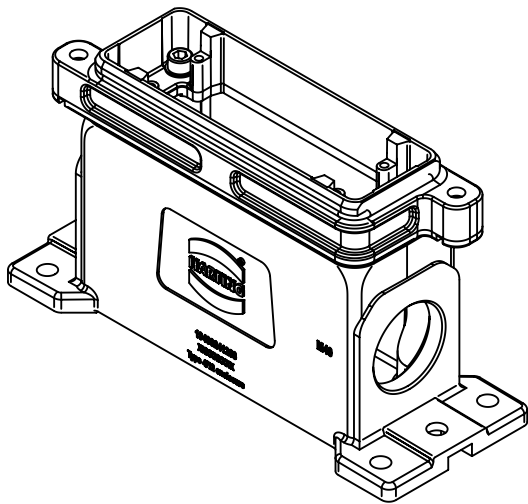
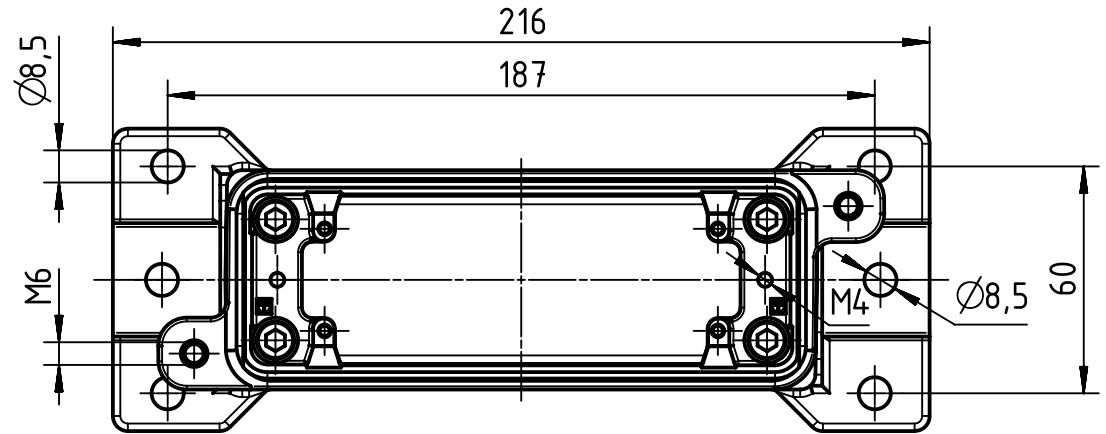
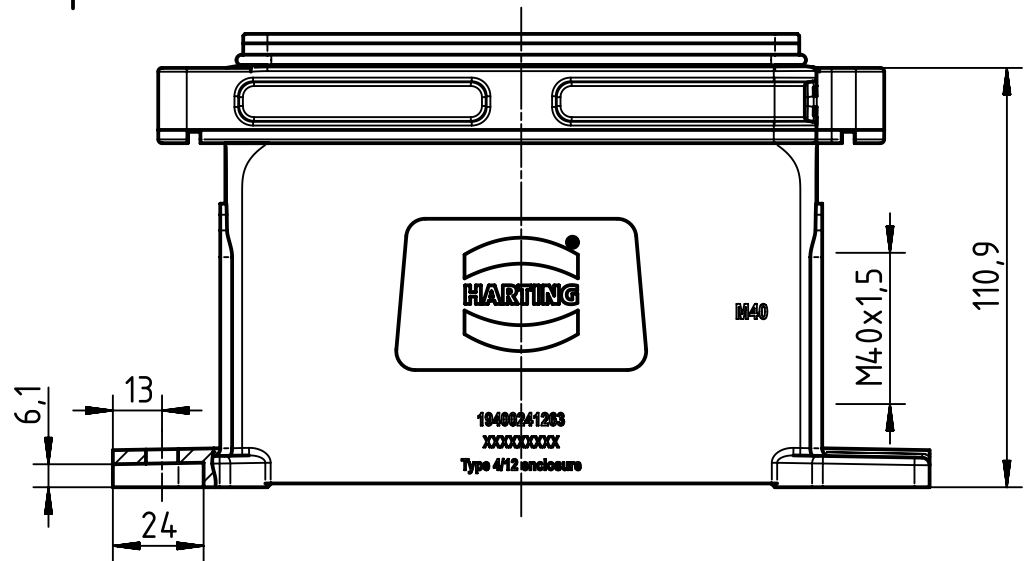
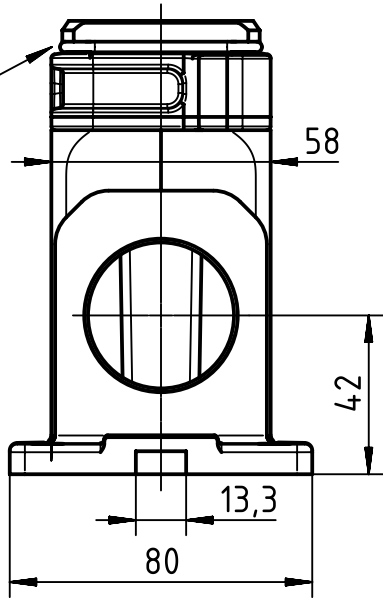
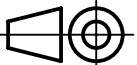



seal



 All Dimensions in mm Original Size DIN A4	Scale	Free size tol.		Ref.	
	1:2			Sub.	
 All rights reserved Department EL PD - DE	Created by	Inspected by	Standardisation	Date	State
	FINKEV	GERB	TIEMANNA	2015-11-13	Final Release
HARTING Electric GmbH & Co. KG D-32339 Espelkamp	Title			Doc-Key / ECM-Nr.	
	Han 24HPR-HSM-1xM40-Screw Lock			100212745/UGD/004/C 500000095140	
Type		Number		Rev.	Page
TB		19 40 024 1263		C	1/1