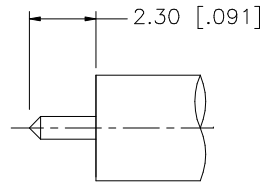
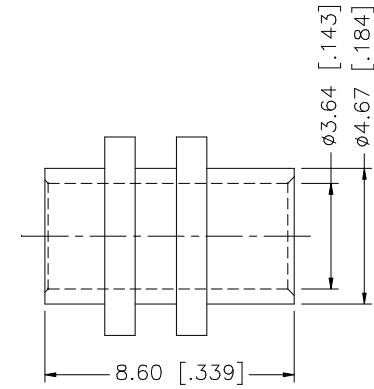
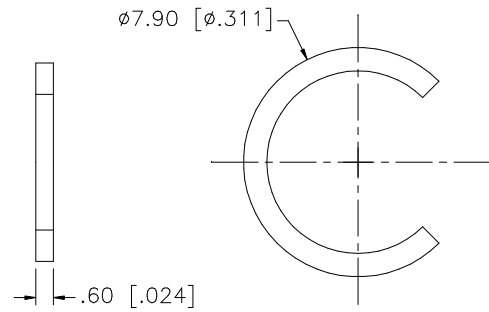
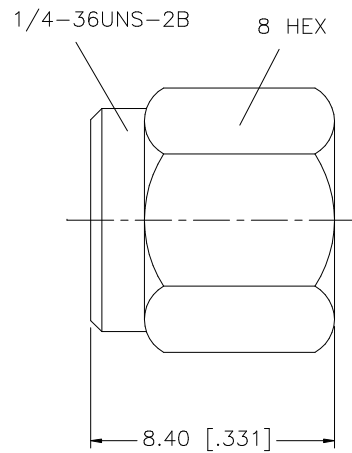


REV.	DATE	DESCRIPTION
A	01/20/04	UPDATE DRAWING FORMAT



RECOMMENDED CABLE STRIPPING DIMENSIONS



8				
7				
6				
5				
4	RETAINER RING	BER. COPPER	NATURAL	1
3	GASKET	SILICONE	RED	1
2	BODY	BRASS	GOLD	1
1	HOUSING	BRASS	GOLD	1
	DESCRIPTION	MATERIAL	FINISH	QTY

UNLESS OTHERWISE SPECIFIED DIMENSIONS ARE IN MILLIMETERS. DIMENSIONS IN [] ARE IN INCHES AND FOR CUSTOMER REFERENCE ONLY.

UNLESS OTHERWISE SPECIFIED TOLERANCES FOR MILLIMETERS ARE:
0.5 - 8mm ± 0.20mm
8 - 30mm ± 0.40mm
30 - 120mm ± 0.50mm

UNLESS OTHERWISE SPECIFIED TOLERANCES FOR INCHES ARE:
.020 - .315 = ± 0.007"
.315 - 1.180 = ± 0.015"
1.180 - 4.724 = ± 0.020"

DO NOT SCALE DRAWING

APPROVALS	DATE
DRAWN G.R.S.	01/20/04
CHECKED	
ISSUED	
SHEET 1 OF 1	
CAD FILE	C:/132/132100.DWG

Amphenol Connex

PART DESCRIPTION	SMA DIRECT SOLDER PLUG (.141 SEMI-RIGID CABLE)		
PART NO.	132100		
DWG. NO.	132100	REV. A	SCALE NA