

Adaptor M12 female / RJ45 90°

4-pol., shielded, CAT5

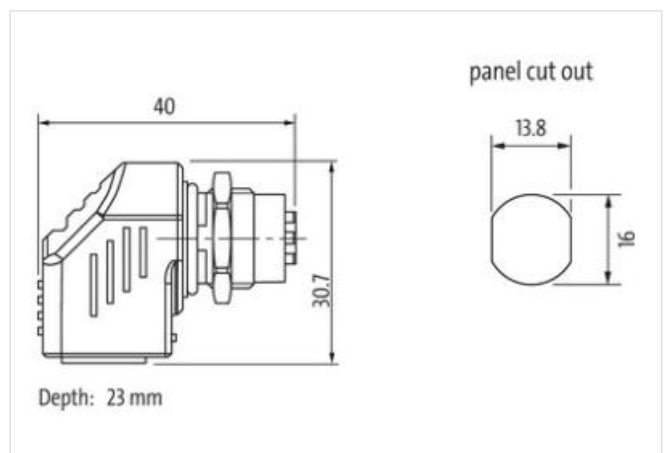
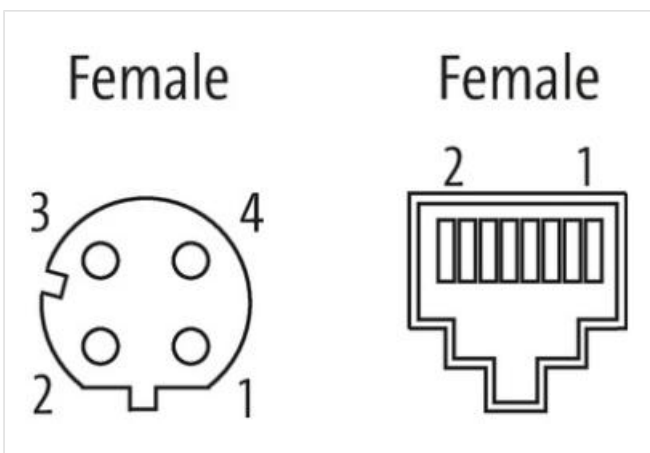
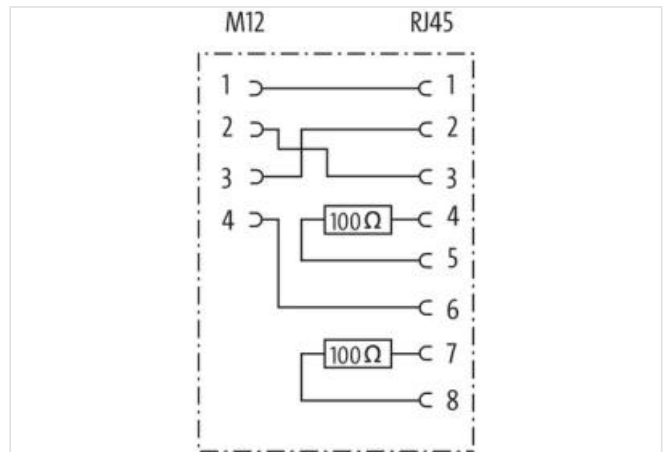
Ethernet CAT5
 Control cabinet entry system
 Female straight – female 90°
 M12 – RJ45, 4-pole
 D-coded
 shielded

Plastic housings with good resistance against chemicals and oils.

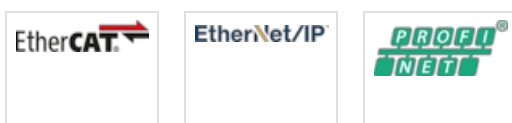
The resistance to aggressive media should be individually tested for your application. Further details on request.

[Link to Product](#)

Illustration



Product may differ from Image



Side 1

Family construction form	M12
Coding	D

Degree of protection (EN IEC 60529)	IP68
-------------------------------------	------

Side 2

Family construction form	RJ45
--------------------------	------

Degree of protection (EN IEC 60529)	IP20
-------------------------------------	------

Commercial data

ECLASS-6.0	27143423
------------	----------

ECLASS-6.1	27279221
------------	----------

ECLASS-7.0	27440104
------------	----------

ECLASS-8.0	27440104
------------	----------

ECLASS-9.0	27440106
------------	----------

ECLASS-10.1	27440106
-------------	----------

ECLASS-11.1	27440106
-------------	----------

ECLASS-12.0	27440106
-------------	----------

ETIM-5.0	EC001855
----------	----------

customs tariff number	85366990
-----------------------	----------

GTIN	4048879575812
------	---------------

Packaging unit	1
----------------	---

Electrical data | Supply

Operating voltage DC max.	60 V
---------------------------	------

Current operating per contact max.	1,76 A
------------------------------------	--------

Industrial communication

Transfer parameters	CAT5, Class D (ISO/IEC 11801:2002), (EN 50173-1)
---------------------	--

Data transmission rate max.	100 MBit/s
-----------------------------	------------

Industrial communication | Ethernet functionality

duplex	Full duplex
--------	-------------

Mechanical data | Material data

Coating locking	chrome-plated
-----------------	---------------

Material housing	PUR
------------------	-----

Locking material	Brass
------------------	-------

Mechanical data | Mounting data

Suitable for installation wall thickness min.	2 mm
---	------

Suitable for installation wall thickness max.	5 mm
---	------

Environmental characteristics | Climatic

Operating temperature min.	-25 °C
----------------------------	--------

Operating temperature max.	85 °C
----------------------------	-------

Important installation notes

Note on strain relief	Protect the connectors by suitable measures from mechanical loads, e.g. by the usage of cable ties.
-----------------------	---

Note on bending radius	Attention: Observe the permissible bending radii when laying cables, as the IP protection class can be endangered by excessive bending forces.
------------------------	---