



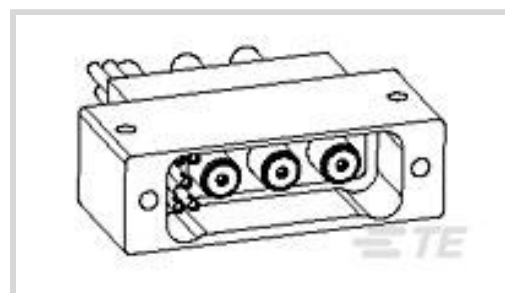
Nanonics

TE Internal #: 1589069-4

RF Connectors, Nanominiature RF Interface, Receptacle, 50 Ω, RG 178 Compatible With RF Cable Type, Screw, 60 – 1GHz Operating Frequency, Wire-to-Board

[View on TE.com >](#)

Connectors > RF Coax Connectors > RF Connectors



RF Interface: **Nanominiature**
 RF Connector Style: **Receptacle**
 Impedance: **50 Ω**
 Compatible With RF Cable Type: **RG 178**
 RF Connector Coupling Mechanism: **Screw**

Features

Product Type Features

Connector Product Type	Connector Assembly
RF Interface	Nanominiature
RF Connector Style	Receptacle
Compatible With RF Cable Type	RG 178
Connector System	Wire-to-Board
Connector & Contact Terminates To	Wire & Cable

Configuration Features

Number of Signal Positions	5
Number of Positions	9
PCB Mount Orientation	Horizontal
Number of Coaxial Contacts	4

Electrical Characteristics

Impedance	50 Ω
-----------	------

Body Features

Cable Connector Orientation	Right Angle
Body Material	Aluminum
Body Plating Material	Electroless Nickel

Contact Features



Contact Current Rating (Max)	1 A
------------------------------	-----

RF Connector Center Contact Plating Material	Gold
--	------

Termination Features

Termination Method to Wire & Cable	Solder
------------------------------------	--------

Termination Method to Printed Circuit Board	Surface Mount
---	---------------

Mechanical Attachment

Mating Retention Type	Threaded Hole
-----------------------	---------------

Screw & Hole Thread Size	1mm
--------------------------	-----

RF Connector Coupling Mechanism	Screw
---------------------------------	-------

Connector Mounting Type	Board Mount
-------------------------	-------------

RF Contact Captivation Method	Solder
-------------------------------	--------

Housing Features

Centerline (Pitch)	2.54 mm[.1 in]
--------------------	----------------

Dimensions

Signal Wire Size	30 AWG
------------------	--------

RF Contact Spacing	.64 mm[.025 in]
--------------------	-----------------

Product Length	152.4 mm[6 in]
----------------	----------------

Usage Conditions

Operating Temperature Range	-55 – 125 °C[-67 – 257 °F]
-----------------------------	----------------------------

Operation/Application

Operating Frequency	60 – 1 GHz
---------------------	------------

Other

Dielectric Material	PTFE
---------------------	------

Product Compliance

[For compliance documentation, visit the product page on TE.com>](#)

EU RoHS Directive 2011/65/EU	Not Compliant
------------------------------	---------------

EU ELV Directive 2000/53/EC	Not Compliant
-----------------------------	---------------

China RoHS 2 Directive MIIT Order No 32, 2016	Restricted Materials Above Threshold
---	--------------------------------------

EU REACH Regulation (EC) No. 1907/2006	Current ECHA Candidate List: JAN 2021 (211) Candidate List Declared Against: JUL 2019 (201)
--	--

SVHC > Threshold:
Not Yet Reviewed

Halogen Content

Not Yet Reviewed for halogen content

Solder Process Capability

Not applicable for solder process capability

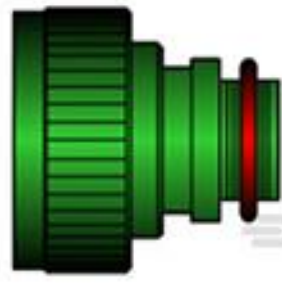
Product Compliance Disclaimer

This information is provided based on reasonable inquiry of our suppliers and represents our current actual knowledge based on the information they provided. This information is subject to change. The part numbers that TE has identified as EU RoHS compliant have a maximum concentration of 0.1% by weight in homogenous materials for lead, hexavalent chromium, mercury, PBB, PBDE, DBP, BBP, DEHP, DIBP, and 0.01% for cadmium, or qualify for an exemption to these limits as defined in the Annexes of Directive 2011/65/EU (RoHS2). Finished electrical and electronic equipment products will be CE marked as required by Directive 2011/65/EU. Components may not be CE marked. Additionally, the part numbers that TE has identified as EU ELV compliant have a maximum concentration of 0.1% by weight in homogenous materials for lead, hexavalent chromium, and mercury, and 0.01% for cadmium, or qualify for an exemption to these limits as defined in the Annexes of Directive 2000/53/EC (ELV). Regarding the REACH Regulation, the information TE provides on SVHC in articles for this part number is based on the latest European Chemicals Agency (ECHA) 'Guidance on requirements for substances in articles' posted at this URL: <https://echa.europa.eu/guidance-documents/guidance-on-reach>

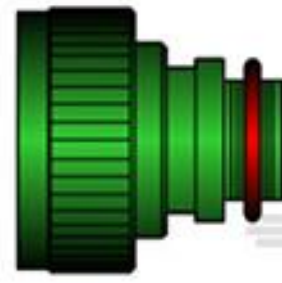
Compatible Parts

TE Part # 1589081-1
321-0002 = CONTACTS

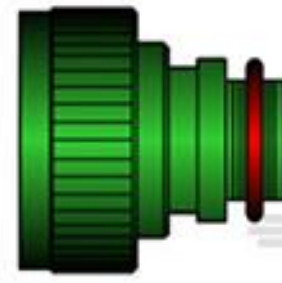
Customers Also Bought



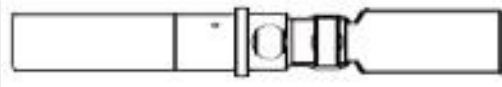
TE Part #293973-000
TXR40AB00-1612AI



TE Part #554173-000
TXR40AB00-1406AI



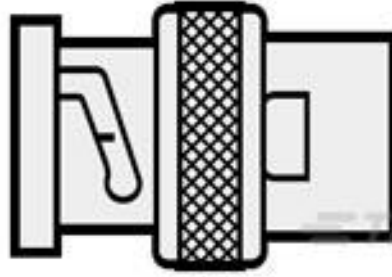
TE Part #658819-000
TXR40AB00-1006AI



TE Part #507762-000
D-602-0145




TE Part #430079-000
7528A5314-0



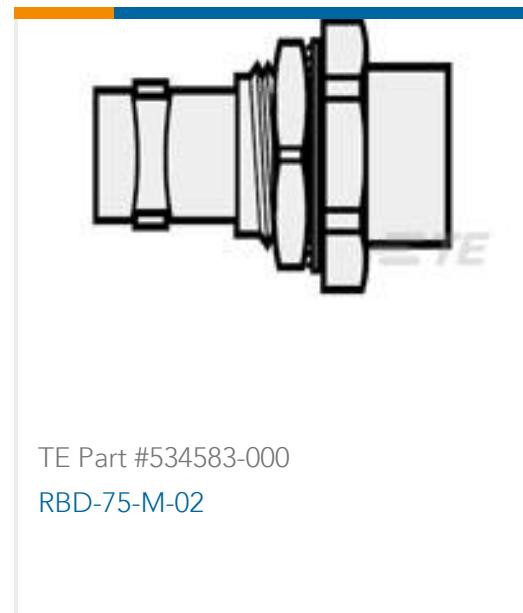
TE Part #918455-000
RBD-75-S-00



TE Part #385193-000
D-181-2224-90/9



TE Part #440063-007
7528A1317-0



Documents

Product Drawings

[CX045SC2RC006N = COAX](#)

English

Datasheets & Catalog Pages

[1589069 Nanonics Cross Reference](#)

English