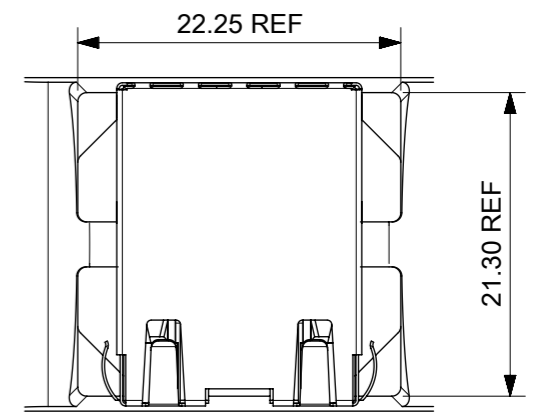
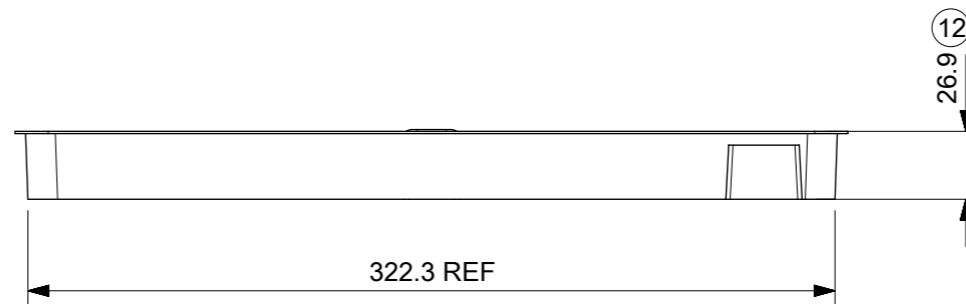
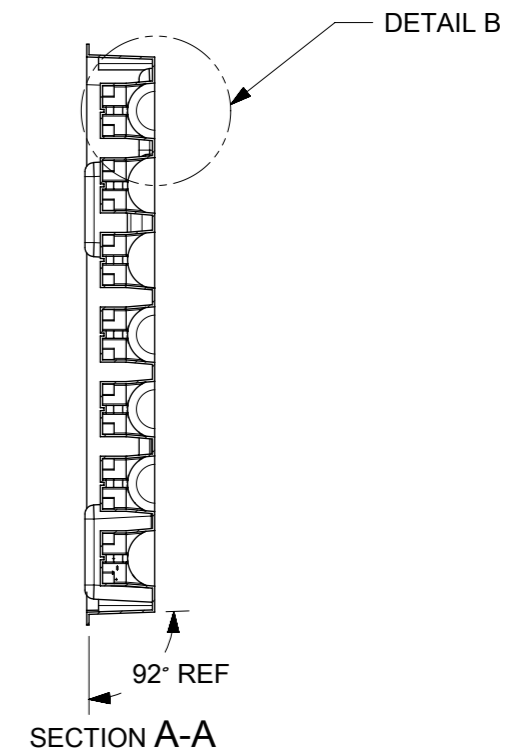
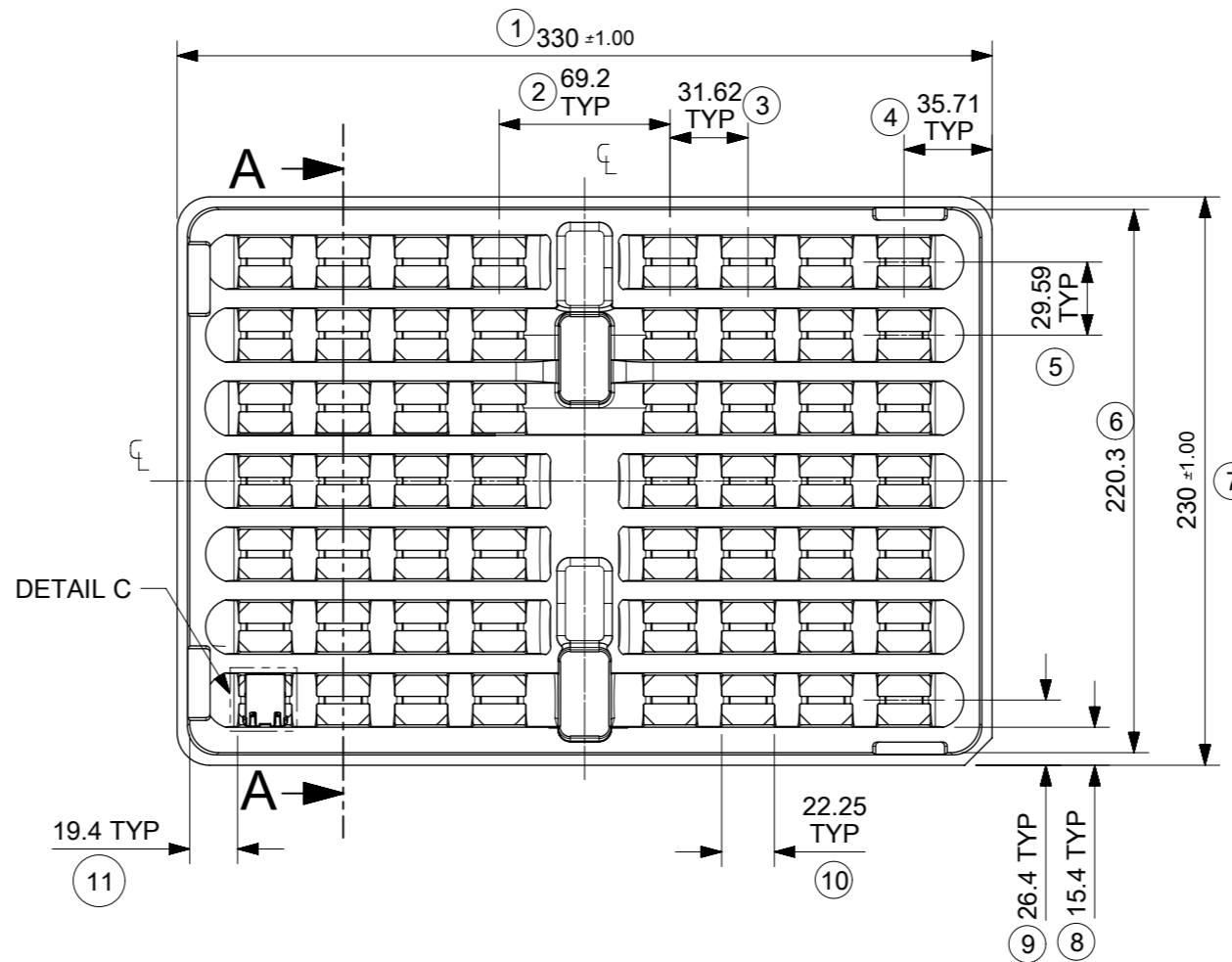


DETAIL B



DETAIL C
SCALE 2:1



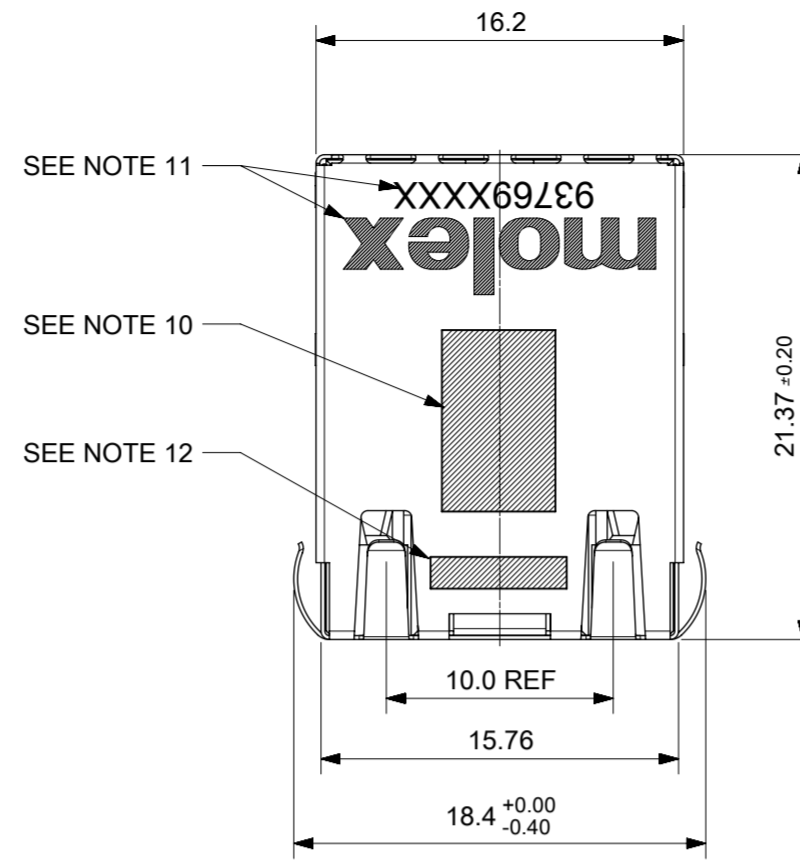
NOTES:

1. MATERIAL: PETA ANTISTATIC
2. THICKNESS: 0.9 mm ± 0.05 mm
3. COLOUR: CLEAR
4. BOW 2 mm MAXIMUM PER 330 mm
5. TWIST 2 mm MAXIMUM PER 330 mm
6. TRAY PART NO. AND RECYCLE LOGO TO BE CLEARLY MARKED ON TRAY
RECYCLE LOGO SHOULD BE APPROPRIATE TO MATERIAL USED
7. WHERE RELEVANT, DIMENSIONS SHOULD BE SYMMETRICAL ABOUT THE CENTRELINE
8. GENERAL PROFILE TOLERANCE $\overline{\cup}$ 0.40 ON NON DIMENSIONED FEATURES

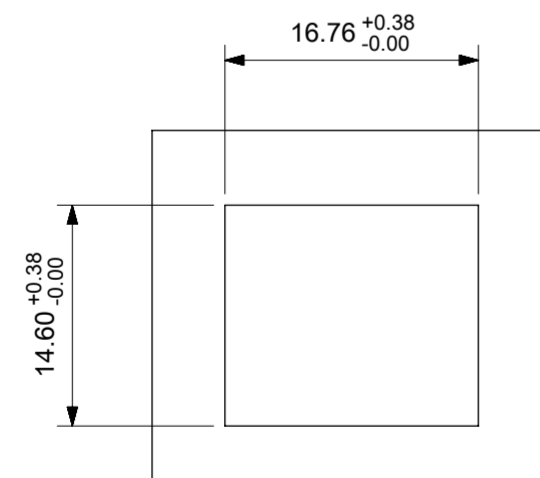
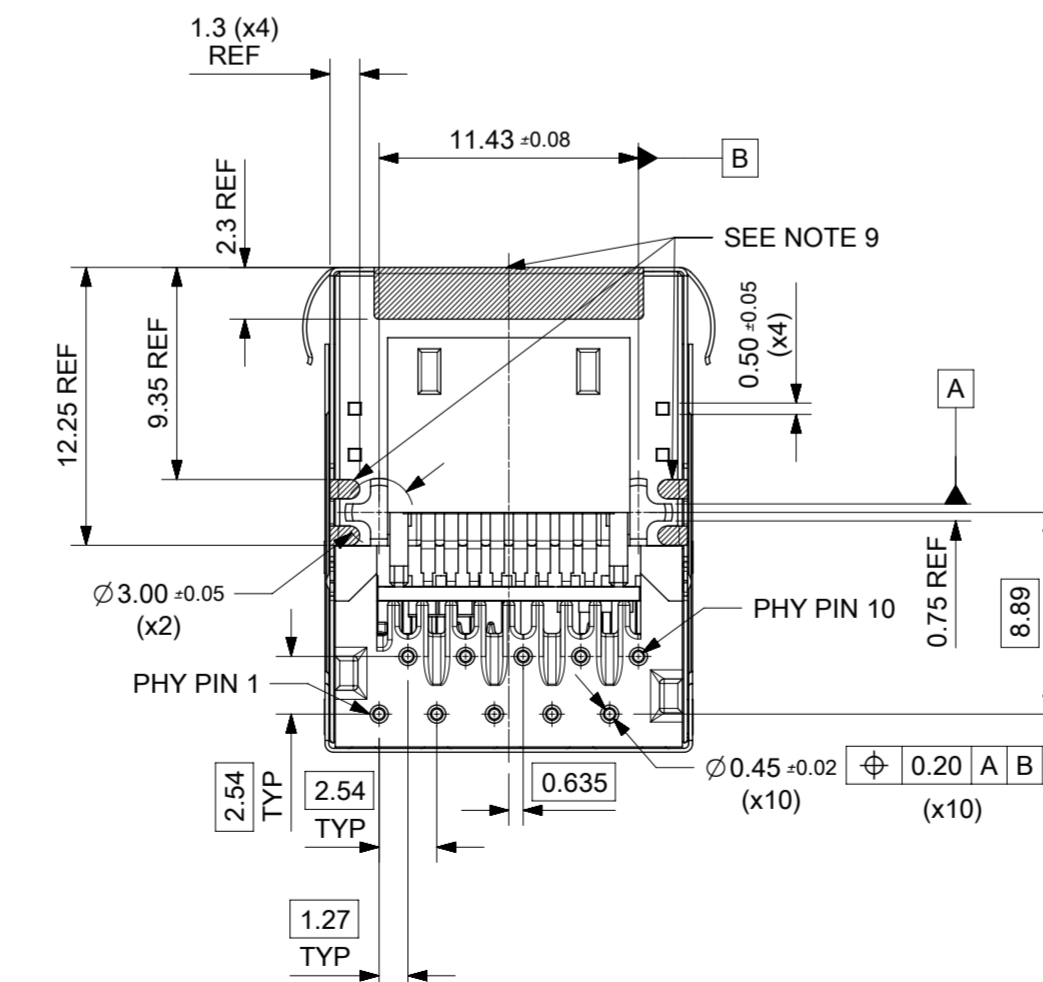
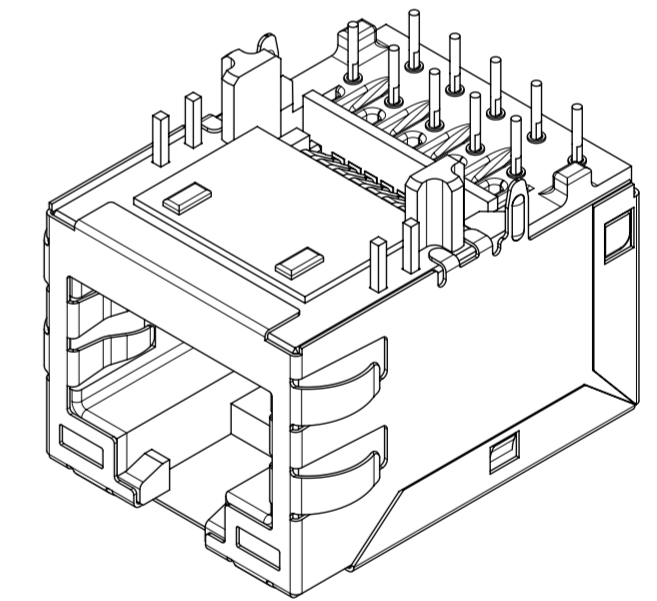
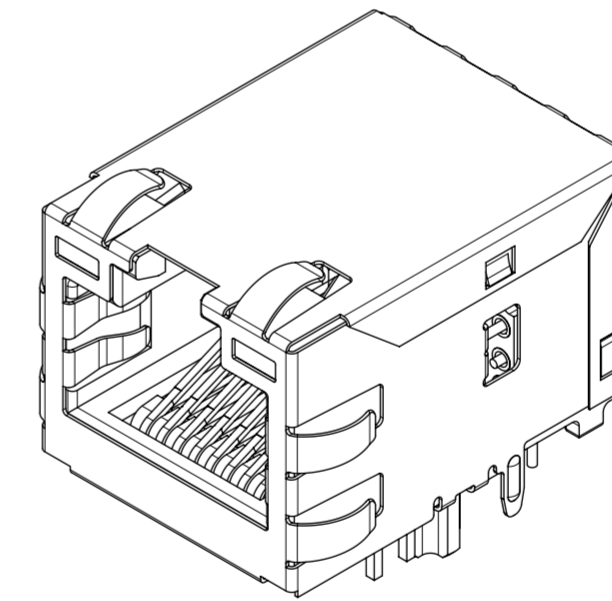
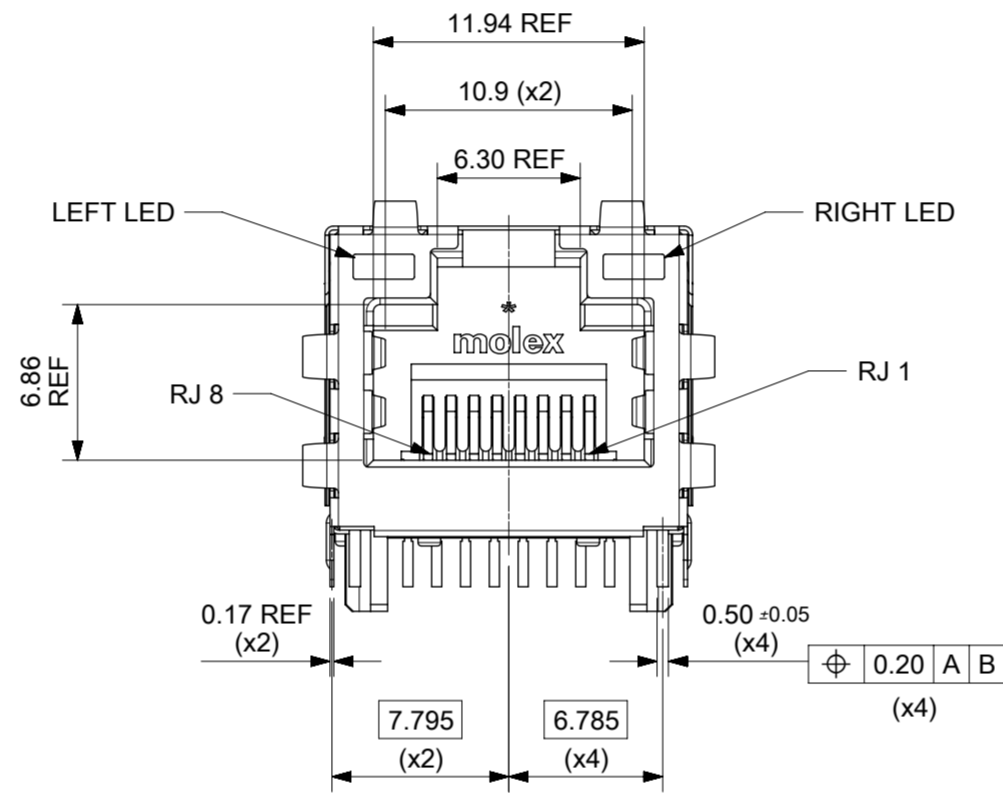
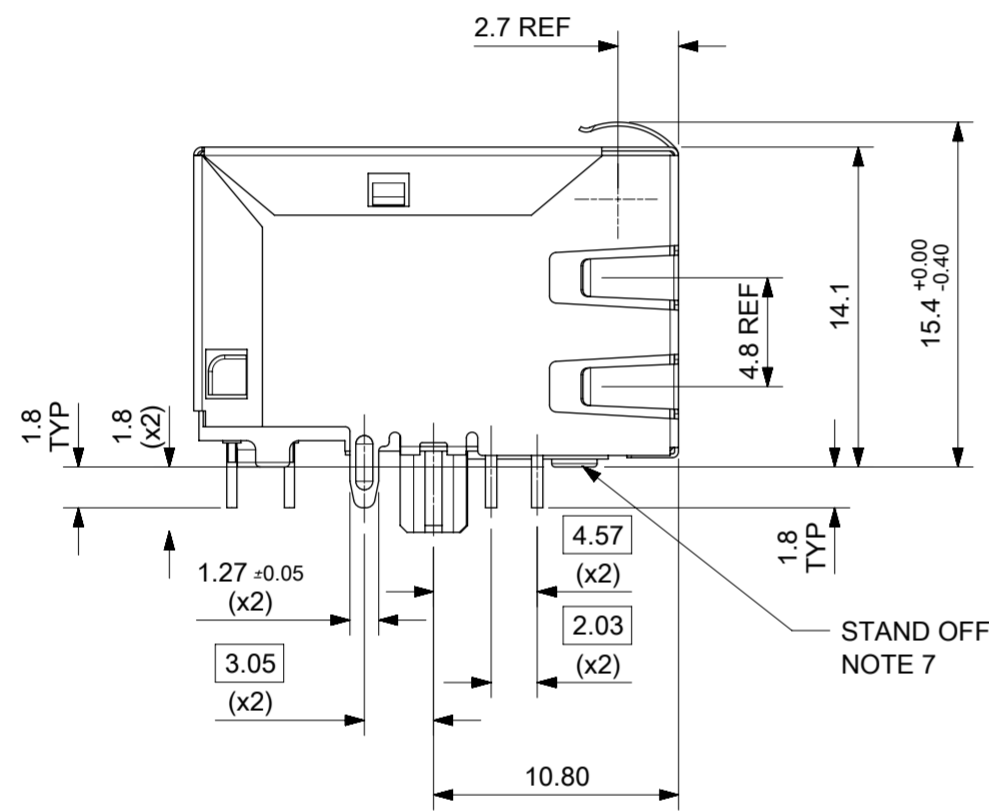
LAST INSPECTION NUMBER USED: 12

THIS DRAWING CONTAINS INFORMATION THAT IS PROPRIETARY TO MOLEX ELECTRONIC TECHNOLOGIES, LLC AND SHOULD NOT BE USED WITHOUT WRITTEN PERMISSION									
DIMENSION UNITS		SCALE		CURRENT REV DESC: REMOVED REFERENCE TO QUANTITY OF TRAYS PER STACK				molex	
mm		1:3							
GENERAL TOLERANCES (UNLESS SPECIFIED)				EC NO: 602124				MXMAG STANDARD AND INVERTED TRAY	
ANGULAR TOL ± 1.0°				DRWN: DSHEA		2018/09/07			
4 PLACES ±				CHK'D: DBYRNES		2019/01/25			
3 PLACES ±				APPR: DBYRNES		2019/01/25			
2 PLACES ± 0.2				INITIAL REVISION:				PRODUCT CUSTOMER DRAWING	
1 PLACE ± 0.5				DRWN: KREILLY		2016/05/06		DOCUMENT NUMBER	
0 PLACES ±				APPR: STGRIFFIN		2016/12/07		934620003	
DRAFT WHERE APPLICABLE MUST REMAIN WITHIN DIMENSIONS		THIRD ANGLE PROJECTION		DRAWING		SERIES		MATERIAL NUMBER	
				A3-SIZE		93462		990250150	
				CUSTOMER		GENERAL MARKET		SHEET NUMBER	
								1 OF 1	

INVERTED PROFILE MAGNETIC JACK
GIGABIT ETHERNET W/LED
AND W/SHIELD TABS
PIN IN PASTE CAPABLE

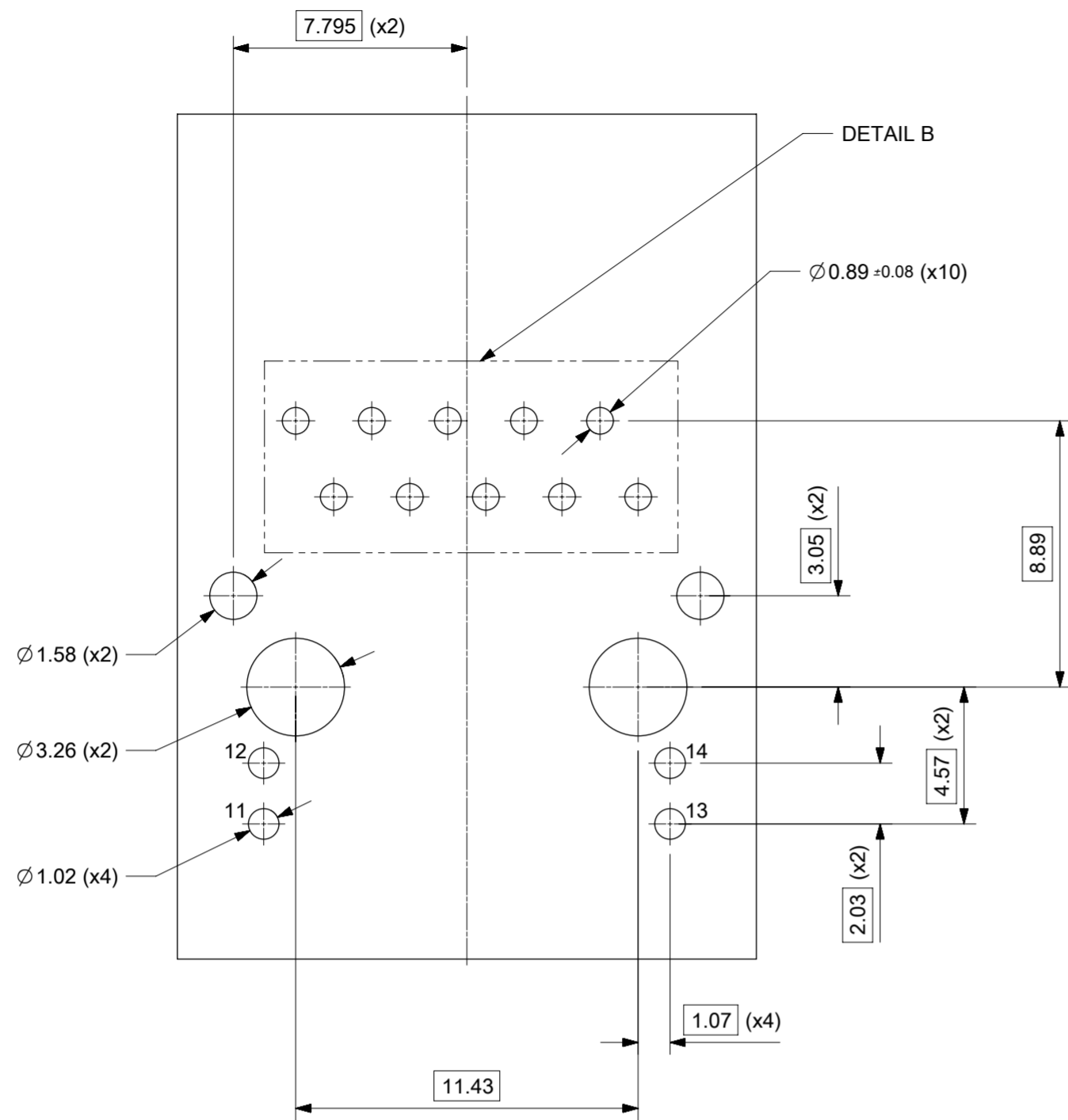


- NOTES:
- SHIELD MATERIAL: 0.17 mm THICK BRASS PRE-PLATED WITH NICKEL
SOLDER TABS POST DIPPED WITH MIN 1.27 μm TIN.
 - HOUSING MATERIAL: LCP, BLACK, UL 94V-0
 - TERMINALS MATERIAL: PHOSPHOR BRONZE
RJ45 CONTACTS PLATING: BASE NICKEL PLATED WITH GOLD
FLASH OVER PALLADIUM NICKEL. REFER TO 934620001 PSP
PHY SOLDER TAILS: COPPER ALLOY
 - MATING INTERFACE ACCORDING TO IEC 60603-7 & TIA-1096-A
 - PRODUCT SPECIFICATION: 934620001 PSP
 - PACKAGING SPECIFICATION: 934620002 PSK T&R
 - STAND OFF TO SYSTEM BOARD 0.30 mm MIN
 - RECOMMENDED PCB THICKNESS: 1.57 mm
 - SHIELD: AVOID ROUTING TRACES
OR PLACING ANY VIAS BELOW THESE AREAS
 - AREA FOR PICK AND PLACE: 5.0 mm X 8.0 mm
 - INSCRIPTION MARKED BY LASER:
1st : MOLEX
2nd : P/N (SEE BOM)
 - INSCRIPTION MARKED BY LASER:
DATE CODE(DAY/WEEK/YEAR)
 - MATERIAL COMPLIANT TO RoHS DIRECTIVE 2002/95/EC

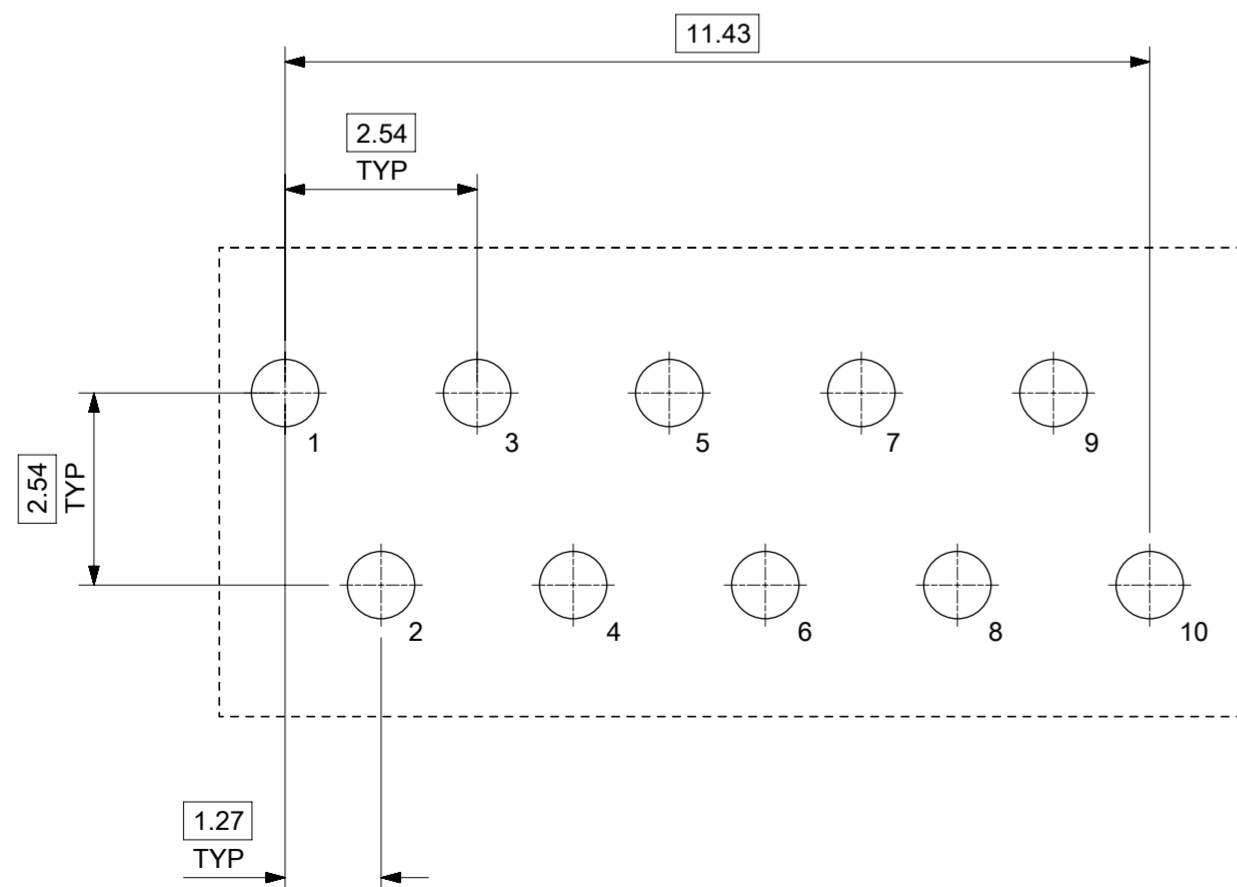


SUGGESTED PANEL CUT-OUT

THIS DRAWING CONTAINS INFORMATION THAT IS PROPRIETARY TO MOLEX ELECTRONIC TECHNOLOGIES, LLC AND SHOULD NOT BE USED WITHOUT WRITTEN PERMISSION											
REVISED	EC NO: 116686	DRWN: DBYRNES	CHKD: DSHEA	2017/04/12	2017/09/12	2017/09/26	GENERAL TOLERANCES (UNLESS SPECIFIED)	DIMENSION UNITS	SCALE	molex	
	ANGULAR TOL ± 2.0 °							mm	3:1		
	4 PLACES ±							DRWN BY	DATE	INV PRO MXMAG 8 CORE GIG W/LED W/EMI PIP	
	3 PLACES ±							KREILLY	2016/03/14		
	2 PLACES ± 0.1							CHK'D BY	DATE	PRODUCT CUSTOMER DRAWING	
1 PLACE ± 0.2							DBYRNES	2016/05/24			
0 PLACES ±							APPR BY	DATE	SERIES MATERIAL NUMBER CUSTOMER		
DRAFT WHERE APPLICABLE MUST REMAIN WITHIN DIMENSIONS							STGRIFFIN	2016/06/08			93769
DRAWING SIZE		THIRD ANGLE PROJECTION		DOCUMENT NUMBER		DOC TYPE		DOC PART		SHEET NUMBER	
A2				937690001		PSD		000		1 OF 3	



SUGGESTED BOARD LAYOUT
GIGABIT VERSION
COMPONENT SIDE
ALL DIMS REFERENCE DIMS



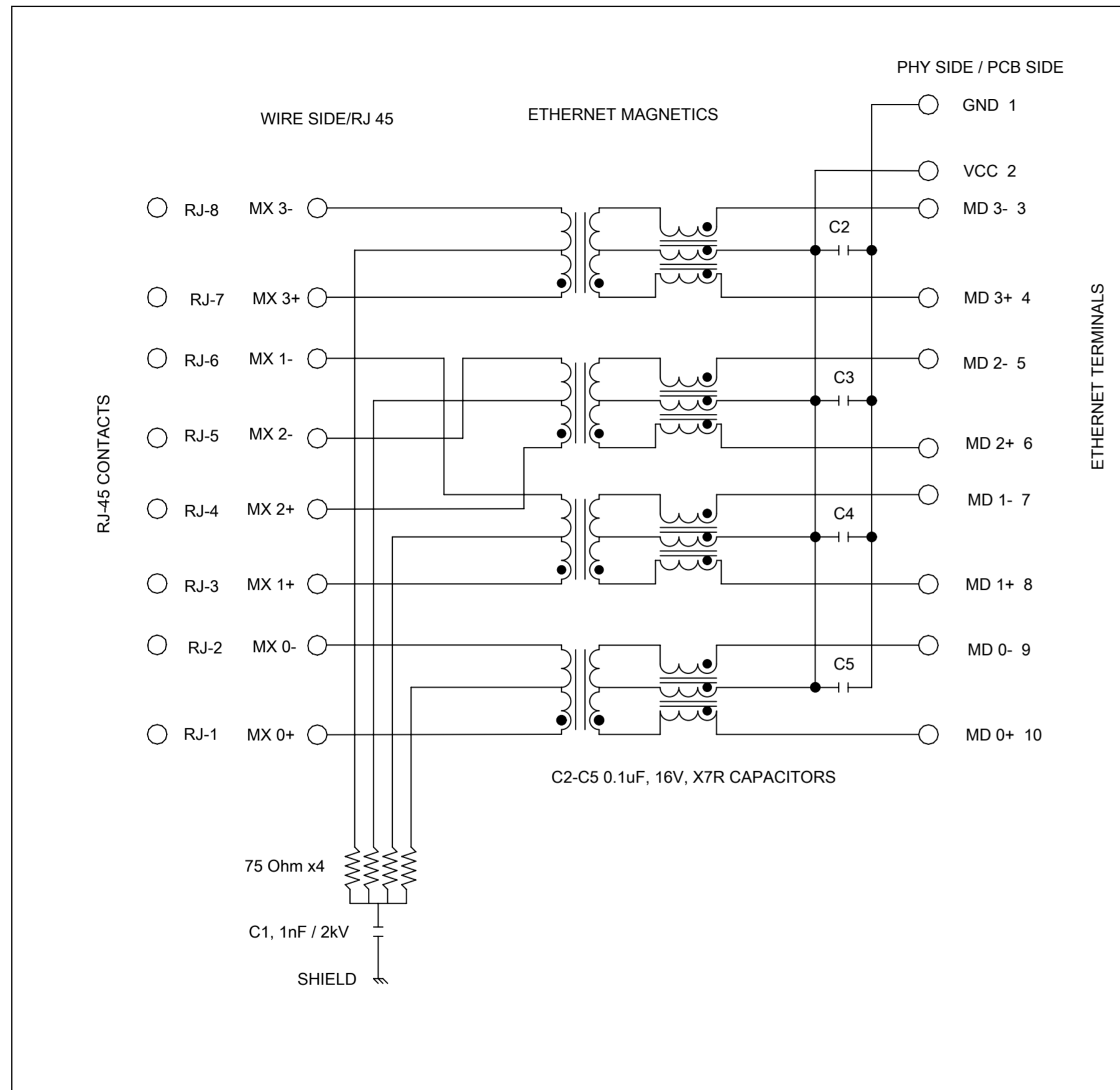
DETAIL B
SCALE 10:1
PIN CONFIGURATION
FOR GIGABIT VERSION

PART NUMBER	LEFT LED	RIGHT LED
937698628	GREEN/YELLOW	GREEN/YELLOW

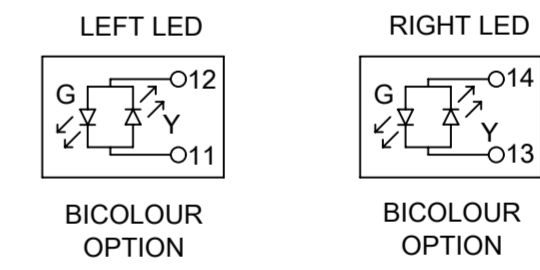
THIS DRAWING CONTAINS INFORMATION THAT IS PROPRIETARY TO MOLEX ELECTRONIC TECHNOLOGIES, LLC AND SHOULD NOT BE USED WITHOUT WRITTEN PERMISSION			
REVISED EC NO: 116686 DRWN: DBYRNES CHKD: DSHEA REV / APPR: DBYRNES	2017/04/12	2017/09/12	2017/09/26
	GENERAL TOLERANCES (UNLESS SPECIFIED)		DIMENSION UNITS
	ANGULAR TOL ± 2.0 °		SCALE
	4 PLACES ±		mm
	3 PLACES ±		5:1
3 PLACES ±		DRWN BY	DATE
2 PLACES ± 0.1		KREILLY	2016/03/14
1 PLACE ± 0.2		CHK'D BY	DATE
0 PLACES ±		DBYRNES	2016/05/24
DRAFT WHERE APPLICABLE MUST REMAIN WITHIN DIMENSIONS		APPR BY	DATE
A2		STGRIFFIN	2016/06/08
DRAWING SIZE		THIRD ANGLE PROJECTION	
A2			
C		PRODUCT CUSTOMER DRAWING SERIES: 93769 MATERIAL NUMBER: SEE TABLE CUSTOMER: GENERAL MARKET	
RELEASE STATUS: P1		DOCUMENT NUMBER: 937690001	
RELEASE DATE: 26.09.2017 10:55:54		DOC TYPE: PSD DOC PART: 000 SHEET NUMBER: 2 OF 3	

molex

INV PRO MXMAG 8 CORE GIG W/LED W/EMI PIP



Description	Value	
OCL @100 kHz, 0.1 V 8 mA DC bias (-40°C to +85°C)	350 µH min.	
Turns ratio	1CT:1CT	
Transmission characteristics @ 25°C, all four pairs		
Insertion Loss		
Frequency f, (MHz)	Limits (dB max.)	Typical Values (dB max.)
1.0-9.9	0.4+0.1*log(f)	0.5 @ 10 MHz
10-49.9	0.5+0.3*log(f/10)	0.7 @ 50 MHz
50-79.9	1+1.4*log(f/80)	1.0 @ 80 MHz
80-100	1.3+3*log(f/100)	1.3 @ 100 MHz
Return Loss		
Frequency f, (MHz)	Limits (dB min.)	Typical Values (dB min.)
1.0-39.9	18	18 @ 40 MHz
40-100	12-20*log(f/80)	10 @ 100 MHz
CMR		
Frequency f, (MHz)	Limits (dB min.)	Typical Values (dB min.)
1.0-100	30	30 @ 100 MHz
Next		
Frequency f, (MHz)	Limits (dB min.)	Typical Values (dB min.)
1.0-39.9	35	35 @ 40 MHz
40-100	33-20*log(f/50)	27 @ 100 MHz
Isolation PHY to wire side	2.25 kVDC/60sec	



937698628

THIS DRAWING CONTAINS INFORMATION THAT IS PROPRIETARY TO MOLEX ELECTRONIC TECHNOLOGIES, LLC AND SHOULD NOT BE USED WITHOUT WRITTEN PERMISSION														
REVISED	EC NO: 116686	DRWN: DBYRNES	CHKD: DSHEA	REV / APPR: DBYRNES	GENERAL TOLERANCES (UNLESS SPECIFIED)	DIMENSION UNITS	SCALE	molex						
	2017/04/12	2017/09/12	2017/09/12	2017/09/26	mm	1:1								
	4 PLACES	±	KREILLY		DATE	2016/03/14	INV PRO MXMAG 8 CORE GIG W/LED W/EMI PIP							
	3 PLACES	±	CHK'D BY		DATE									
	2 PLACES	± 0.1	DBYRNES		DATE	2016/05/24	PRODUCT CUSTOMER DRAWING							
1 PLACE	± 0.2	APPR BY		DATE	2016/06/08									
0 PLACES	±	STGRIFFIN		DATE		SERIES	MATERIAL NUMBER	CUSTOMER						
DRAFT WHERE APPLICABLE MUST REMAIN WITHIN DIMENSIONS					DRAWING SIZE	THIRD ANGLE PROJECTION	93769	SEE TABLE ON SHEET 2	GENERAL MARKET					
C					A2		DOCUMENT NUMBER	937690001	DOC TYPE	PSD	DOC PART	000	SHEET NUMBER	3 OF 3