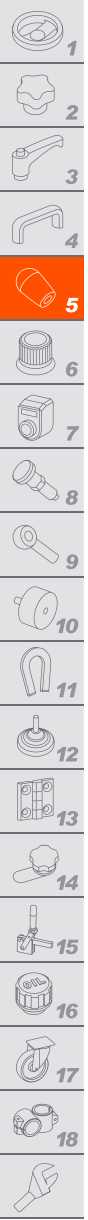


IR.780 | Fold-away handles

Technopolymer



MATERIAL

Glass-fibre reinforced polyamide based (PA) technopolymer, black colour, matte finish.

STANDARD EXECUTIONS

- **IR.780:** black-oxide steel pin, sintered and oxidised steel flat base for embedded mounting, black-oxide steel screw.
- **IR.780-SST:** AISI 303 stainless steel pin, sintered AISI 303 stainless steel flat base for embedded mounting, AISI 303 stainless steel screw.

FEATURES AND APPLICATIONS

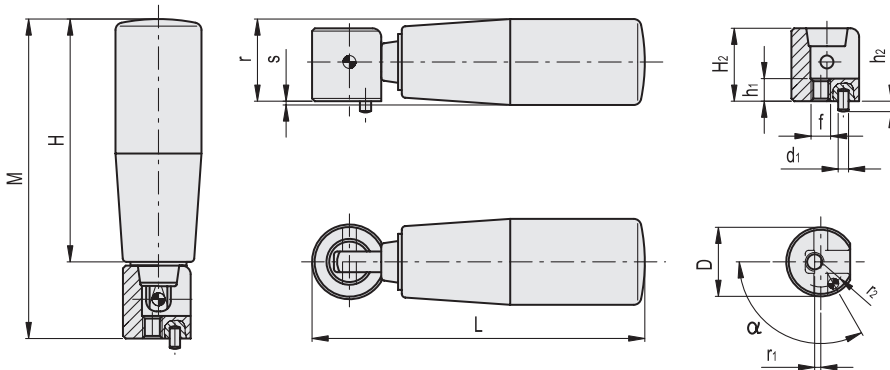
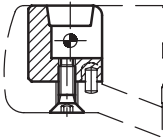
Handle pivots freely during operation: a system of coaxial bushings compensates return spring load.

This series of fold-away handles has been designed for all those applications for which, owing to lack of space or for safety reasons, the handle must be folded-away once the operation has been completed.



ELESA Original design

Normal assembly example with embedded base



IR.780

Code	Description	H	D	L	M	H2	r	r1	s	f	h1	d1	h2-0.2	r2	α	△
129444	IR.780/56 S.D.16	56	16	74.5	71.5	15	19.5	1	2.5	M4	5	3	3	5.5	90°	65
129445	IR.780/65 S.D.16	65	16	86	81	15	21	1	4	M4	5	3	3	5.5	90°	75
129446	IR.780/65 S.D.20	65	20	89.5	85.5	19.5	23	0.6	2	M6	6	3	3	7	120°	110
129448	IR.780/80 S.D.20	80	20	104.5	101	19.5	24	0.6	3	M6	6	3	3	7	120°	120
129449	IR.780/90 S.D.20	90	20	114.5	111	19.5	25	0.6	4	M6	6	3	3	7	120°	136
129450	IR.780/90 S.D.26	90	26	119	114	23	27	1.5	1.5	M6	7	3	3	9.5	90°	200

IR.780-SST



Code	Description	H	D	L	M	H2	r	r1	s	f	h1	d1	h2-0.2	r2	α	△
129464	IR.780/56-SST-S.D.16	56	16	74.5	71.5	15	19.5	1	2.5	M4	5	3	3	5.5	90°	65
129466	IR.780/65-SST-S.D.20	65	20	89.5	85.5	19.5	23	0.6	2	M6	6	3	3	7	120°	110
129468	IR.780/80-SST-S.D.20	80	20	104.5	101	19.5	24	0.6	3	M6	6	3	3	7	120°	120
129469	IR.780/90-SST-S.D.20	90	20	114.5	111	19.5	25	0.6	4	M6	6	3	3	7	120°	136

Fixed & Revolving handles