



Product specification

Customer Name	
Product	Fan
Designed for	
Part No.	AK-FN071
Issue Date	2012-5-8
Spec No.	DFS801512M
Version	V1.0

產品規格 / 承認書

PRODUCT SPECIFICATION / APPROVAL SHEET

A. 一般規格 (General Specification)

項目 (Item)		規格 / 條件 (Specification / Condition)	
01	型號 (Part No.)	DFS801512M	
02	外型尺寸 (Outline Dimension)	80 X 80 X 15 mm	
03	額定電壓 (Rated Voltage)	DC12V	
04	操作電壓 (Operating Voltage)	DC 10.8V ~ DC 13.2V	
05	起動電壓 (Starting Voltage)	DC 9V	a. 額定電壓(Rated Voltage) b. 25 C,100% duty cycle c. 65 % RH d. Measured after 5min.
06	額定電流 (Rated Current)	0.15A	
07	消耗功率 (Power Consumption)	1.8W	
08	轉速 (Rotational Speed)	2500±15% RPM	
09	最大風量 (Max. Airflow)	24.89CFM(ft³/min)	a. 額定電壓 (Rated Voltage) b. 標準 (Standard):AMCA c. 額定電流 (Rated Current)
10	最大靜壓(Max. Static Pressure)	1.69mmH₂O	
11	音量位準 (Noise Level)	26.82dB(A)	a. 額定電壓 (Rated Voltage) b.無響室 (Non-Echo Chamber) c. 標準 (Standard): CNS 8753 / ISO 3744 d. Test Condition: ISO 7779 e. 距離(Distance): 1.0 M
12	壽命預估 (Life Expectancy)	30000 hrs / 25°C	a. L10 at Conf. Level 90% b. 額定電壓 (Rated Voltage)
13	極數 (No. of Pole)	4 極(Poles)	
14	迴轉方向 (Rotational Direction)	逆時針(Counter-Clockwise)	

B. 電氣規格 (Electrical Specification)

項目 (Item)		規格 / 條件 (Specification / Condition)	
01	絕緣阻抗 (Insulation Resistance)	10 MEG OHM MIN.AT 500 VDC (BETWEEN FRAME AND (+) TERMINAL)	
02	絕緣耐壓 (Dielectric Strength)	5 mA MAX. AT 500 VAC 60 HZ ONE MINUTE, (BETWEEN FRAME AND (+) TERMINAL)	

C. 主要材料/零件規格 (Main Materials / Parts Specification)

材料/零件 (Materials / Parts)		規格 (Specification)	
01	塑膠材料 / 扇葉、外框、絕緣套(Plastic Material/Blade, Housing, Bobbin)	PLASTIC UL: 94V-0	
02	軸承 (Bearing)	Sleeve Bearing	
03	導線 (Lead Wire)-G. P.	UL 1007 26 AWG BLACK : (-) RED : (+) YELLOW: (S)	
04	端子 (Connector)	2.54	

D. 環境測試 (Environmental Specification)

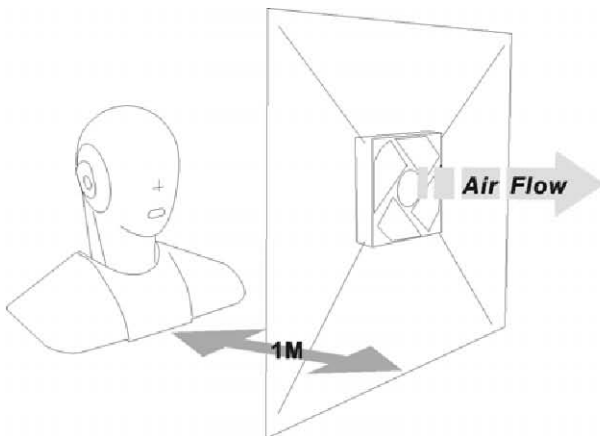
項目 (Item)	規格/條件 (Specification / Condition)
01 運轉溫/溼度範圍(Operating Temp. Range)	溫度 / Temperature : -10°C-- 70°C
	溼度 / Humidity : 5%-90%RH(Frost Eliminated)
02 保存溫/溼度範圍(Storage Temp. Range)	溫度 / Temperature : -40°C-- 75°C
	溼度 / Humidity : 5%-95%RH(Frost Eliminated)

E. 商標 (Label Marking)



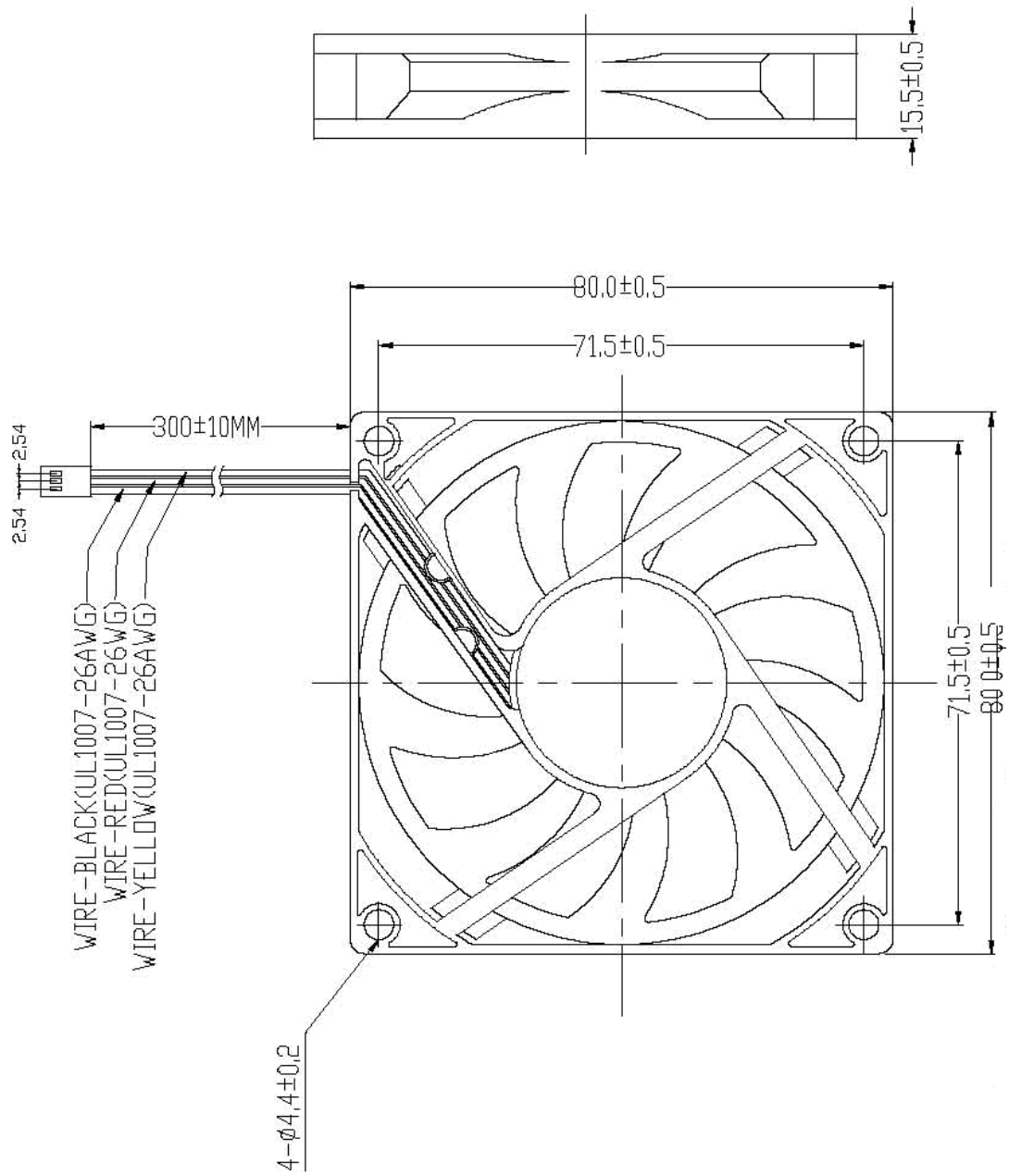
(1)	型號 (Model No.)
(2)	額定電壓 (Rated Voltage)
(3)	電流 (Current)
(4)	安規 (Safety Approvals)
(5)	產地 (Location)
(6)	附碼 (Appendix Code)

F. 噪音量測條件 (Noise Measure Condition)



量測系統 (Measurement Systems) :
1. ANECHOIC Room Noise Measurement System.
2. Digital Head Measurement System, 16-bits version.
3. SQlab III, Mobile Multichannel Analysis System.
4. Specifications: ISO 3744, ISO 3745, ISO 7779, CNS 6753, JIS 8346
5. Background Noise: < 17dB(A)

G. 外觀尺寸圖 (Outline Dimension)



UNIT: mm