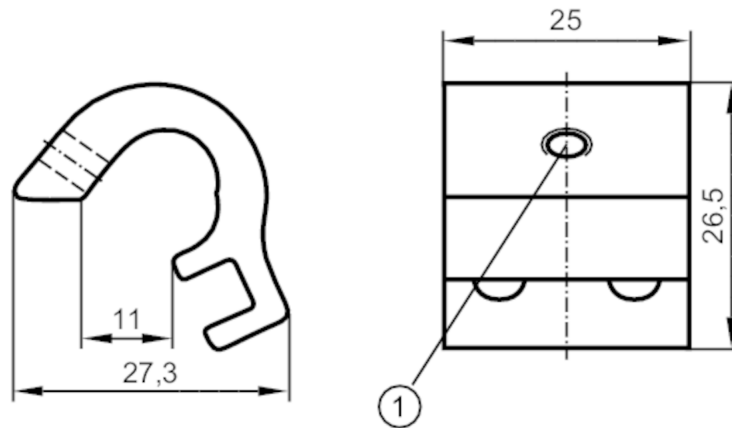


E12231



Mounting adapter for tie-rod/integrated profile cylinders

ADAPT TIE ROD/PROFILE



1 Mounting screw SW 2

Application

Design for types MKT, for types MKT

Mechanical data

Weight [g] 16.1

Materials aluminium; screw: stainless steel

Clamping range [mm] 5...11

Remarks

Pack quantity 1 pcs.