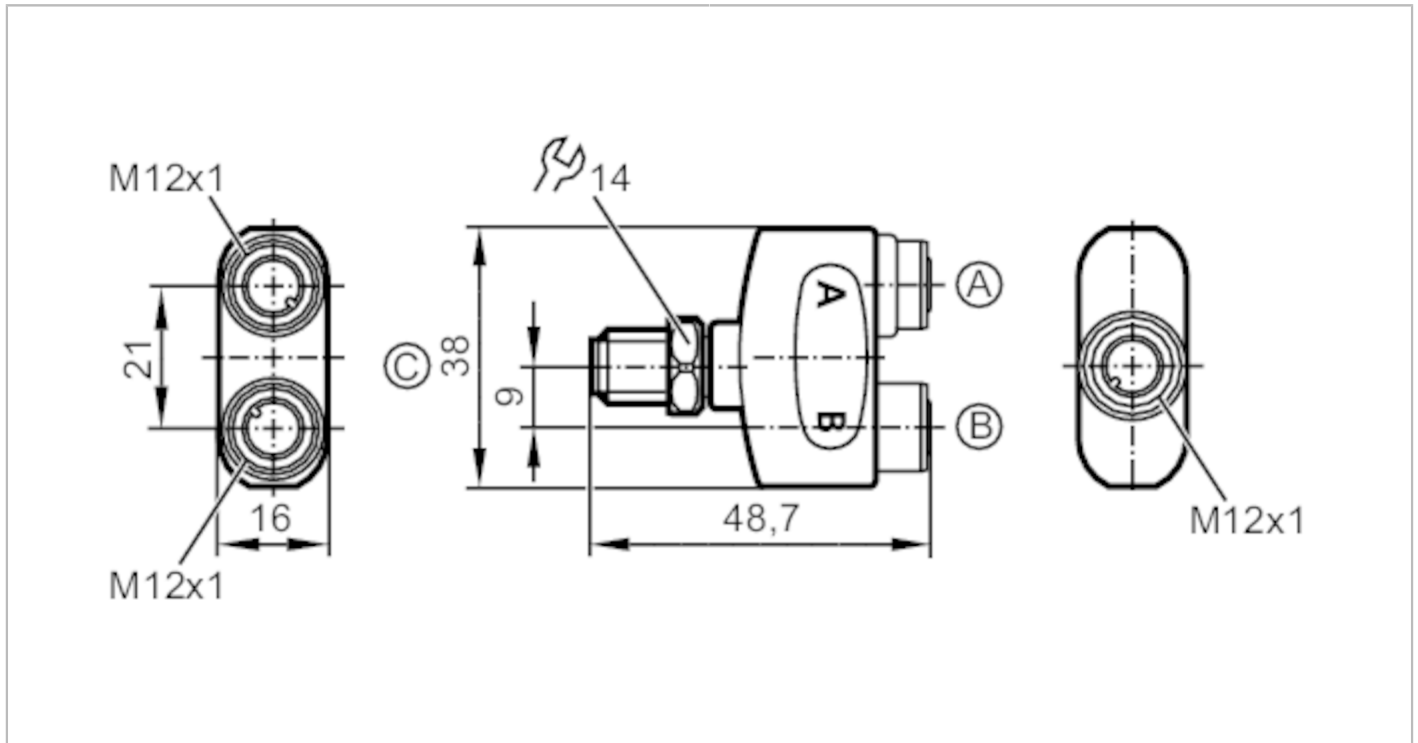




## Y-splitter

ZDO2H050VAS0000-00STGH050VAS



Application	
Special feature	Free from silicone; Gold-plated contacts
Application	logic OR function
Free from silicone	yes
Electrical data	
Operating voltage [V]	< 60 AC/DC
Protection class	II
Max. current load per module/slot [A]	4
Max. current load total [A]	4
Operating conditions	
Ambient temperature [°C]	-25...100
Protection	IP 65; IP 67; IP 68; IP 69K
Mechanical data	
Weight [g]	33.9
Materials	Housing: PA Halogen-free; Sealing: EPDM
Material nut	stainless steel (1.4404 / 316L) / stainless steel (1.4404 / 316L)
Remarks	
Pack quantity	1 pcs.

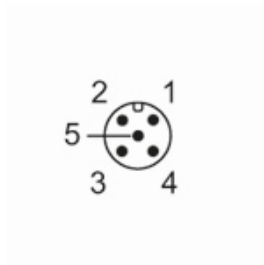
### Electrical connection - plug

Connector: 1 x M12; Moulded body: PA, Halogen-free; Locking: stainless steel (1.4404 / 316L); Contacts: gold-plated; Tightening torque: 0.6...1.2 Nm

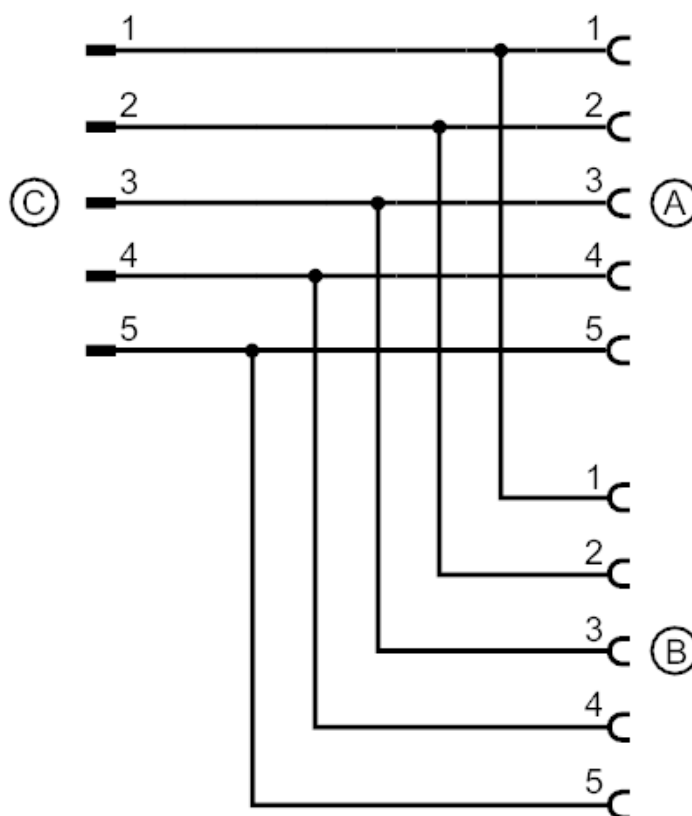


## Y-splitter

ZDO2H050VAS0000-00STGH050VAS



### Connection



connection to IEC 61076-2-101

### Electrical connection - socket

Connector: 2 x M12; Moulded body: PA, Halogen-free; Locking: stainless steel (1.4404 / 316L); Contacts: gold-plated; Tightening torque: 0.6...1.5 Nm

