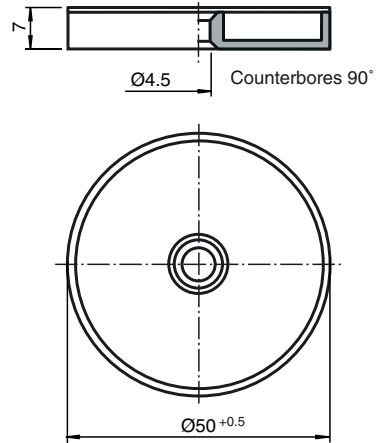


Dimensions



Model Number

IPZ-MH50

Flat housing

Features

- Suitable as distance retainer for code or data carrier IDENT-I System P und System V for mounting on metal

Technical data

Ambient conditions

Storage temperature -40 ... 85 °C (-40 ... 185 °F)

Mechanical specifications

Material

Housing PBT