



## Product Change Notification

Current Date: 21-Aug-2020

## TE Connectivity

Product Change Notification: E-20-010686

PCN Date: 20-AUG-20

Customer: TTI Inc(0000139702)

Location: WORLDWIDE

Agreement: Agreement Unknown

TE would like to inform you of the following change(s) to the listed TE Connectivity Product. In case of any further questions about this change(s), please contact your TE Connectivity Sales Engineer. Affected part, drawing and/or specification numbers are listed on the attached sheet(s).

## General Product Description:

PCN(H) series relay

## Description of Changes

1. For standard tube packaging type. Enhance outside carton, use foams to replace bubble sheet and cancel inside carton. Products have same packaging protect level and qualified by same package drop test standard. And optimize base and stationary terminal structure to improve contact gap uniformity and improve gluing efficiency. Keep products same function and performance as existed production goods. 2. For other type. optimize base and stationary terminal structure to improve contact gap uniformity and improve gluing efficiency. Keep products same function and performance as existed production goods. See attachment in detail.

## Other attachments:

[Packaging specification before optimization](#)
[Product change detail list](#)
[Packaging specification after optimization](#)
[Base and stationary terminal structure optimization](#)

## Reason for Changes:

Manufacturing / Process Requirements. Packaging processes optimization, base and stationary terminal structure optimization.

## Estimated Dates:

Last Order Date (Obsolete Parts Only):

First Date To Ship (Changed Parts Only):

23-NOV-2020

Last Ship Date (Obsolete Parts Only):

Last Date for Mixed Shipments: (Changed Parts Only):

27-DEC-2020

## Part Number(s) being Modified:

Part Number	Part Discontinued per PCN	Customer Drawing	Customer Part Number	Alias Part Number(s)	Substitute Part Number	Substitute Alias Part Number(s)	Description Of Difference
<a href="#">1-1721095-9</a>	NO			"PCN-112D3MHZ,0100A"			
<a href="#">1721441-2</a>	NO			"PCN-105D3MHZ,001B"			
<a href="#">3-1461491-0</a>	NO			"PCN-105D3MHZ,000"			
<a href="#">3-1461491-3</a>	NO			"PCN-112D3MHZ,000"			
<a href="#">3-1461491-6</a>	NO			"PCN-124D3MHZ,000"			
<a href="#">7-1461491-6</a>	NO			"PCN-124D3MHZ,001B"			

Customer: TTI, Inc. ( 1305175 )

Location: Maisach-gernlinden

Agreement Number: TTI001

## Part Number(s) being Modified:

Part Number	Part Discontinued per PCN	Customer Drawing	Customer Part Number	Alias Part Number (s)	Substitute Part Number	Substitute Alias Part Number(s)	Description Of Difference
<a href="#">3-1461491-0</a>	NO		TYC3-1461491-0	"PCN-105D3MHZ,000"			
<a href="#">3-1461491-3</a>	NO		TYC3-1461491-3	"PCN-112D3MHZ,000"			
<a href="#">3-1461491-6</a>	NO		TYC3-1461491-6	"PCN-124D3MHZ,000"			

Customer: TTI Inc ( 3164508 )

Location: Fort Worth

Agreement Number: Agreement Unknown

Part Number(s) being Modified:

Part Number	Part Discontinued per PCN	Customer Drawing	Customer Part Number	Alias Part Number(s)	Substitute Part Number	Substitute Alias Part Number(s)	Description Of Difference
<a href="#">3-1461491-3</a>	NO			"PCN-112D3MHZ,000"			
<a href="#">3-1461491-6</a>	NO			"PCN-124D3MHZ,000"			

Customer: TTI Inc ( 1281288 )

Location: Fort Worth

Agreement Number: TTI002

Part Number(s) being Modified:

Part Number	Part Discontinued per PCN	Customer Drawing	Customer Part Number	Alias Part Number(s)	Substitute Part Number	Substitute Alias Part Number(s)	Description Of Difference
<a href="#">3-1461491-3</a>	NO			"PCN-112D3MHZ,000"			
<a href="#">3-1461491-6</a>	NO			"PCN-124D3MHZ,000"			

Customer: Shanghai TTI Electronics Co Ltd ( 1405773 )

Location: Shanghai

Agreement Number: Agreement Unknown

Part Number(s) being Modified:

Part Number	Part Discontinued per PCN	Customer Drawing	Customer Part Number	Alias Part Number(s)	Substitute Part Number	Substitute Alias Part Number(s)	Description Of Difference
<a href="#">1721441-2</a>	NO			"PCN-105D3MHZ,001B"			
<a href="#">3-1461491-0</a>	NO			"PCN-105D3MHZ,000"			
<a href="#">7-1461491-6</a>	NO			"PCN-124D3MHZ,001B"			

Customer: TTI Electronics Asia Pte Ltd ( 3063486 )

Location: Taipei

Agreement Number: Agreement Unknown

Part Number(s) being Modified:

Part Number	Part Discontinued per PCN	Customer Drawing	Customer Part Number	Alias Part Number(s)	Substitute Part Number	Substitute Alias Part Number(s)	Description Of Difference
<a href="#">7-1461491-6</a>	NO			"PCN-124D3MHZ,001B"			

Customer: Shanghai TTI Electronics Co Ltd ( 3064990 )

Location: ◆◆◆◆◆

Agreement Number: Agreement Unknown

Part Number(s) being Modified:

Part Number	Part Discontinued per PCN	Customer Drawing	Customer Part Number	Alias Part Number(s)	Substitute Part Number	Substitute Alias Part Number(s)	Description Of Difference
<a href="#">1721441-2</a>	NO			"PCN-105D3MHZ,001B"			
<a href="#">3-1461491-0</a>	NO			"PCN-105D3MHZ,000"			
<a href="#">7-1461491-6</a>	NO			"PCN-124D3MHZ,001B"			

Customer: TTI Inc ( 168830 )

Location: Fort Worth

Agreement Number: Agreement Unknown

Part Number(s) being Modified:

Part Number	Part Discontinued per PCN	Customer Drawing	Customer Part Number	Alias Part Number (s)	Substitute Part Number	Substitute Alias Part Number(s)	Description Of Difference
<a href="#">3-1461491-3</a>	NO			"PCN-112D3MHZ,000"			
<a href="#">3-1461491-6</a>	NO			"PCN-124D3MHZ,000"			

Customer: TTI, Inc. ( 3057778 )

Location: Maisach-germlinden

Agreement Number: Agreement Unknown

Part Number(s) being Modified:

Part Number	Part Discontinued per PCN	Customer Drawing	Customer Part Number	Alias Part Number (s)	Substitute Part Number	Substitute Alias Part Number(s)	Description Of Difference
<a href="#">3-1461491-0</a>	NO		TYC3-1461491-0	"PCN-105D3MHZ,000"			
<a href="#">3-1461491-3</a>	NO		TYC3-1461491-3	"PCN-112D3MHZ,000"			
<a href="#">3-1461491-6</a>	NO		TYC3-1461491-6	"PCN-124D3MHZ,000"			

Customer: TTI Electronics Asia Pte Ltd. ( 2771300 )

Location: Singapore

Agreement Number: Agreement Unknown

Part Number(s) being Modified:

Part Number	Part Discontinued per PCN	Customer Drawing	Customer Part Number	Alias Part Number(s)	Substitute Part Number	Substitute Alias Part Number(s)	Description Of Difference
<a href="#">1-1721095-9</a>	NO			"PCN-112D3MHZ,0100A"			
<a href="#">3-1461491-0</a>	NO			"PCN-105D3MHZ,000"			
<a href="#">3-1461491-3</a>	NO			"PCN-112D3MHZ,000"			
<a href="#">3-1461491-3</a>	NO			"PCN-112D3MHZ,000"			
<a href="#">7-1461491-6</a>	NO			"PCN-124D3MHZ,001B"			

Customer: TTI Electronics Asia Pte Ltd. ( 1407161 )

Location: Hong Kong

Agreement Number: Agreement Unknown

Part Number(s) being Modified:

Part Number	Part Discontinued per PCN	Customer Drawing	Customer Part Number	Alias Part Number(s)	Substitute Part Number	Substitute Alias Part Number(s)	Description Of Difference
<a href="#">1-1721095-9</a>	NO			"PCN-112D3MHZ,0100A"			
<a href="#">3-1461491-3</a>	NO			"PCN-112D3MHZ,000"			
<a href="#">7-1461491-6</a>	NO			"PCN-124D3MHZ,001B"			

Customer: TTI Electronics Asia Pte Ltd. ( 2771300 )

Location: Singapore

Agreement Number: Agreement Unknown

Part Number(s) being Modified:

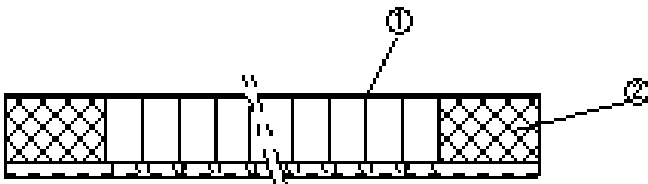
Part Number	Part Discontinued per PCN	Customer Drawing	Customer Part Number	Alias Part Number(s)	Substitute Part Number	Substitute Alias Part Number(s)	Description Of Difference
<a href="#">1-1721095-9</a>	NO			"PCN-112D3MHZ,0100A"			
<a href="#">3-1461491-0</a>	NO			"PCN-105D3MHZ,000"			
<a href="#">3-1461491-3</a>	NO			"PCN-112D3MHZ,000"			

Part Number	Part Discontinued per PCN	Customer Drawing	Customer Part Number	Alias Part Number(s)	Substitute Part Number	Substitute Alias Part Number(s)	Description Of Difference
<a href="#">3-1461491-3</a>	NO			"PCN-112D3MHZ,000"			
<a href="#">7-1461491-6</a>	NO			"PCN-124D3MHZ,001B"			

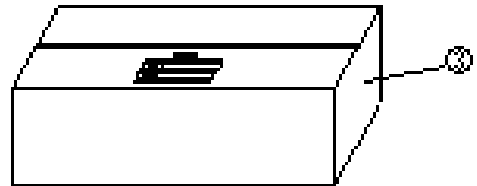
**E-20-010686**

Name	Description	Specific Description of Change (Max: 4000 char)	
2-1721066-5	PCN-103L3MHZ	Optimize packaging to cancel inside box and use foam to replace bubble sheet. Base structure optimization to add rib for gluing improvement and add slot to limit stationary terminal for contact gap improvement.	
3-1461491-7	PCN-104D3MHZ,001		
3-1721066-3	PCN-104L3MHZ-R,000		
1721868-1	PCN-104L3MHZ-SR,000		
1-1461491-2	PCN-105D3MH,000		
1649771-3	PCN-105D3MHF,000		
3-1461491-0	PCN-105D3MHZ,000		
2-1721066-7	PCN-105L3MHZ		
4-1721066-1	PCN-105L3MHZ,01300		
3-1461491-1	PCN-106D3MHZ,000		
1721095-5	PCN-109D3MHZ,100		
3-1461491-3	PCN-112D3MHZ,000		
1-1721095-9	PCN-112D3MHZ,0100A		
7-1461491-7	PCN-112D3MHZF,001		
3-1461491-5	PCN-123D3MHZ,000		
1721192-1	PCN-124D3MH		
1-1461491-8	PCN-124D3MH,000		
3-1461491-6	PCN-124D3MHZ,000		
3-1461491-8	PCN-124D3MHZ,001		
1721095-9	PCN-124D3MHZ,100		
7-1461491-8	PCN-124D3MHZ,10100		
1721192-2	PCN-124D3MHZ,101		
1721449-9	PCN-124D3MHZ-S,000		
1649386-5	PCNH-112D3MHZ,000		
1721126-5	PCNH-112H3MHZ		
2071417-1	PCNH-118H3MHZF,00000		
2071124-1	PCNH-124H3MHYZF,03000		
2-1721520-0	PCNH-124H3MHZF,00000		
2071179-1	PCNH-124H3MHZF,07500		
1721066-9	PCN-103L3MHZ,000B		Base structure optimization to add rib for gluing improvement and add slot to limit stationary terminal for contact gap improvement.
1721441-2	PCN-105D3MHZ,001B		
2-1721264-3	PCN-105L3MHZ-T4,00010		
1721264-3	PCN-105L3MHZ-T8,000B		
1-1721264-3	PCN-105L3MHZ-T8,00010		
1721067-3	PCN-105L3MHZ-T16,000B		
1-1721067-3	PCN-105L3MHZ-T16,00010		
1721441-5	PCN-112D3MHZ,001B		
3-1461917-6	PCN-124D3MHYZ,000B		
7-1461491-6	PCN-124D3MHZ,001B		
2071520-1	PCN-112D3MZ-EX1,00400		
2071063-1	PCN-124D3MHZ,10011		

### 1.Inner Package

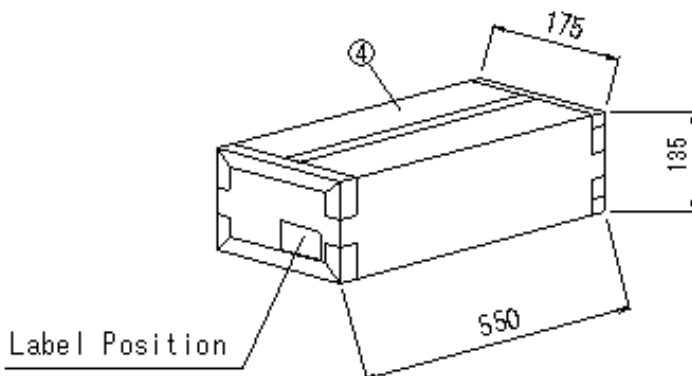


25PCS / 1Tube  
(Material : PVC)



25PCS / 1Tube x 80 Tubes  
Total : 2,000pcs

### 2.External Package

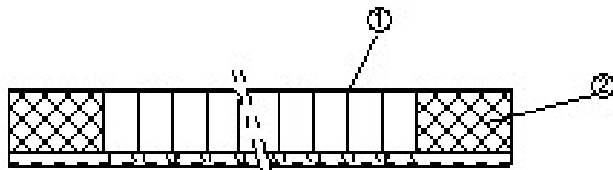


Total : 2,000pcs / Shipping Box  
Gross : 6.50 kg

Dimensions unit : mm

ITEM No	DESCRIPTION	AMP PART No.	QTY.
①②	TUBE+STOPPER	1461500-1 (PCN) 1461500-2 (PCNH)	80
③	INSIDE CARTON	1461502-1	1
④	OUTSIDE CARTON	1461503-1	1

### 1.Inner Package



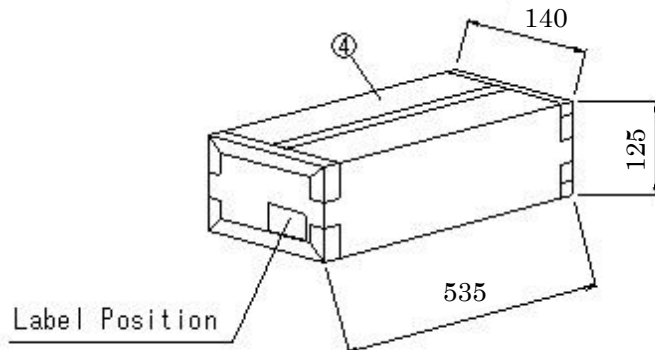
25PCS / 1Tube  
(Material : PVC)

25PCS / 1Tube × 80Tubes

Total : 2,000pcs

(2pcs foam at the top and bottom)

### 2.External Package



Total : 2,000pcs / Shipping Box

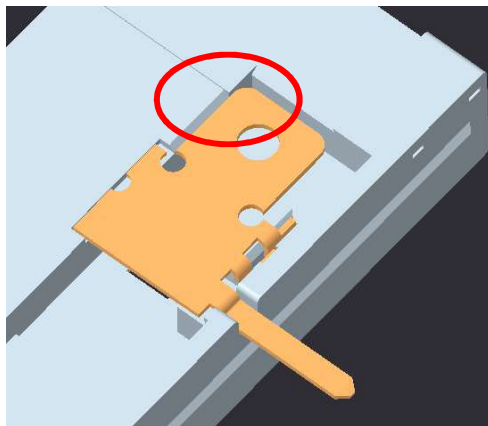
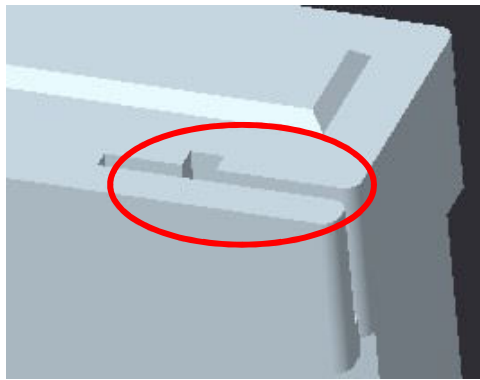
Gross : 6.30 kg

Dimensions unit : mm

ITEM No	DESCRIPTION	AMP PART No.	QTY.
①②	TUBE+STOPPER	1461500-1 (PCN) 1461500-2 (PCNH)	80
③	FOAM	1-1440834-2	4
④	OUTSIDE CARTON	1461503-1	1

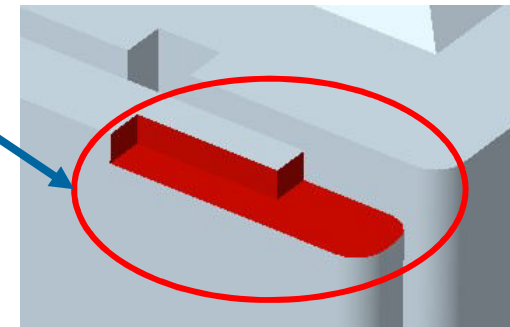
# Base and stationary terminal structure optimization

Existed



Optimized

Rib or step design to help epoxy flow fully



Limit terminal position down

