

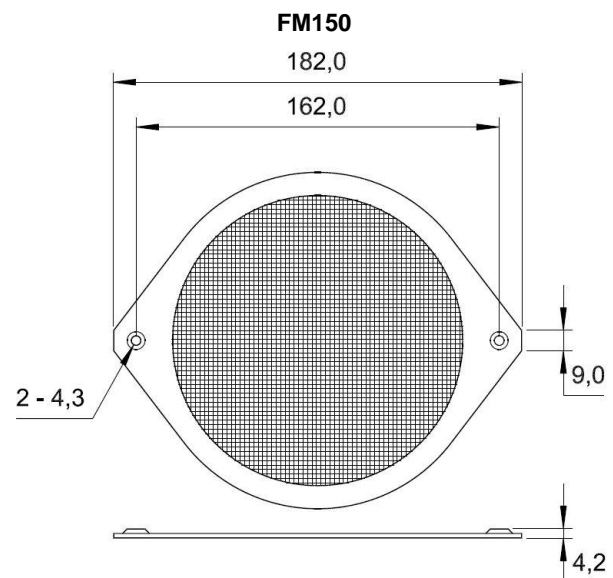
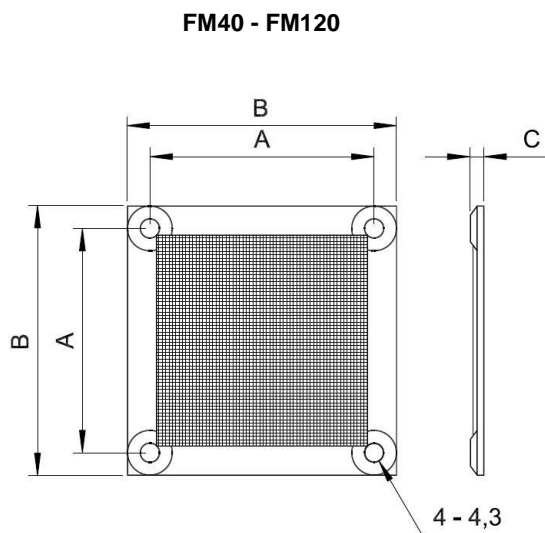
FM Series

EMC METAL FILTER, IP40



PERFORMANCE

- IP40 metal filter for standard axial fans sizes 40x40 to 172x150mm und Ø150mm
- Protection against moving parts (>1mm) plus EMC shielding
- Very low pressure loss due to the fine-meshed grid made from thin wires
- Material: Frame, Aluminum; grid, stainless steel



Typ	Fan size [mm]	Dimension A-B-C [mm]	Standard packing quantity [Pcs.]	Art. No.
FM40	40x40	32-42-4	100	934010400
FM60	60x60	50-60-4	100	936010400
FM80	80x80	71.5-84-3.5	100	938010400
FM92	92x92	82.5-92-4.0	100	939210400
FM120	120x120	104.8-119-3.5	100	931210400
FM150	172x150	162-182-4.2	100	931510400

Technical changes without notice • 04/17