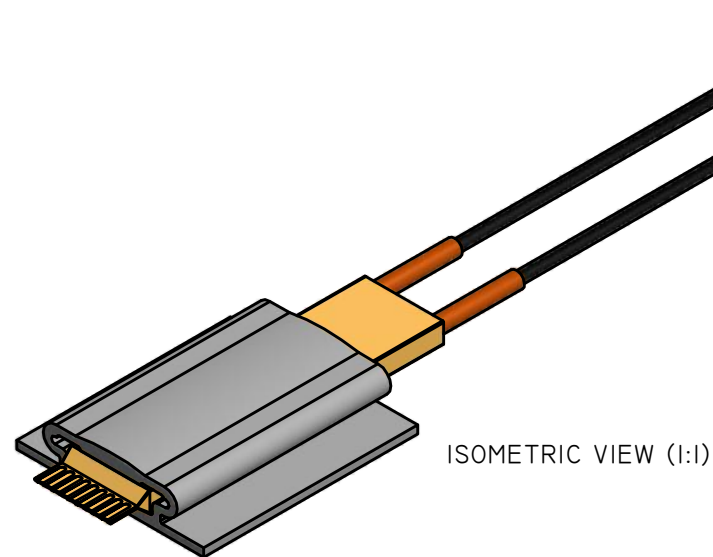
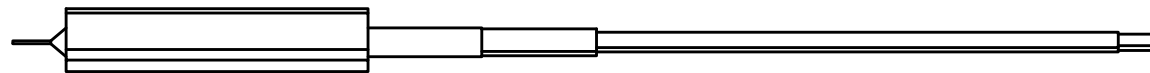
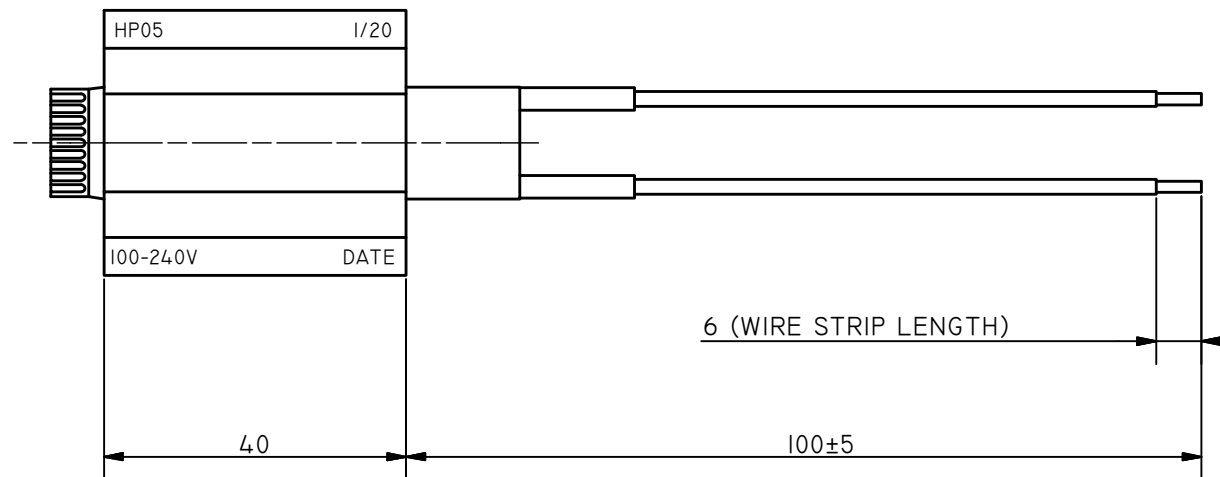
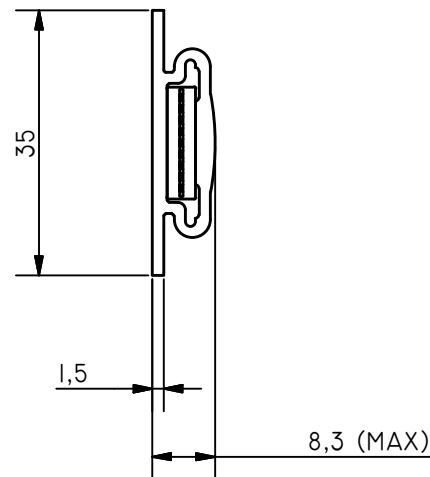
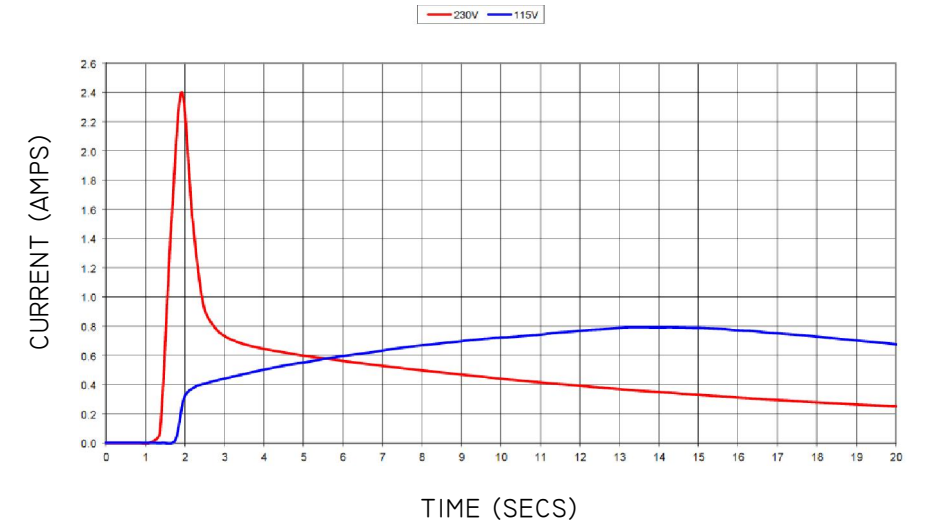


OPERATING VOLTAGE	100-240V
VOLTAGE CLASS	II
FREE AIR POWER AT 100V	10W APPROX.
FREE AIR POWER AT 240V	10W APPROX.
CABLE SPECIFICATION	20AWG, BLACK SILICONE INSULATED, UL STYLE 3367 200°C 300V
APPROX. WEIGHT	20GRAMS

\*HEATER POWER WILL VARY ACCORDING TO APPLICATION.

### TYPICAL INRUSH GRAPH



REVISION HISTORY									
REV	DESCRIPTION				DATE	ENGINEER	APPROVED		
01	INITIAL RELEASE				19/02/2013	MLR	ML		
REPRODUCTIONS OF THIS DRAWING OR TRANSFER TO A THIRD PARTY ARE NOT TO BE MADE WITHOUT PERMISSION FROM DBK TECHNITHERM.				IF IN DOUBT - ASK	PROJECT:	ALL UNITS IN MILLIMETERS UNLESS STATED	THIRD ANGLE PROJECTION		TOLERANCES UNLESS STATED:
				<del>DO NOT SCALE</del>	CUSTOMER:	CUST PT NO:			0.00 ±0.1 0.0 ±0.3 0 ±0.5 ANGULAR ±0.5°
DRN	DATE	CHKD	APPR	DATE	MATERIAL:	FINISH:	GEN SCALE:	DRG SHT	
MLR	19/02/2013	JRJ	ML	19/02/2013	N/A	N/A	1:1	A3	
<b>DBK Technitherm Ltd</b>					TITLE: HP05 I-20 100-240V 100-30				
UNIT II, LLANTRISANT BUSINESS PARK LLANTRISANT CF72 8LF WALES, UK					PART No: FG14397.4			ISSUE	SHEET
								01	1 / 1