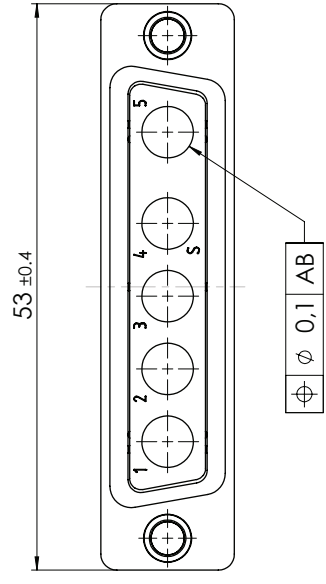
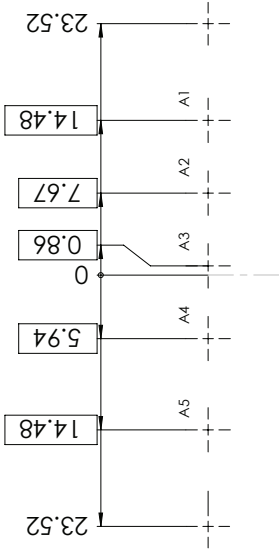



PCB hole pattern, mounting side



RoHS compliant

2	1	Shell	Steel	tin plated
1	1	Insulator	PBT (-55°C - 130°C)	green
No.	St.	Part	Type Description/Material Surface plating/Colour/Class	

TITLE		SCALE	
Measurement without tolerance		2:1	
Reference: to ISO 2768-m			
NAME / DATE			
DRAWN Denzinger			
CHECKED 13-03-2003			
diffel			
13-03-2003			
 a mollex company		DWG.NO. FM5W5S-K121 REV. 1 PAGES 1	
1	DATE	CH.-NO.	REPLACEMENT FOR:

D-Sub Mixed-Layout Connector