



SAMSUNG
ARTIK[™] Modules

O

ARTIK 053/053s Module Datasheet

MODULE OVERVIEW



The Samsung ARTIK™ 053/053s Module is a highly integrated module for secure Internet of Things (IoT) devices that require Wi-Fi® connectivity. It is based on an ARM® Cortex® R4 core, with on-module RAM and flash memory, a complete 2.4GHz Wi-Fi subsystem with on-module antenna, an independent security subsystem, PUF-based module authentication, and a large complement of standard I/O interfaces.

The ARTIK 053/053s Module provides excellent performance in a variety of environments, with a feature set tailored specifically for IoT end nodes.

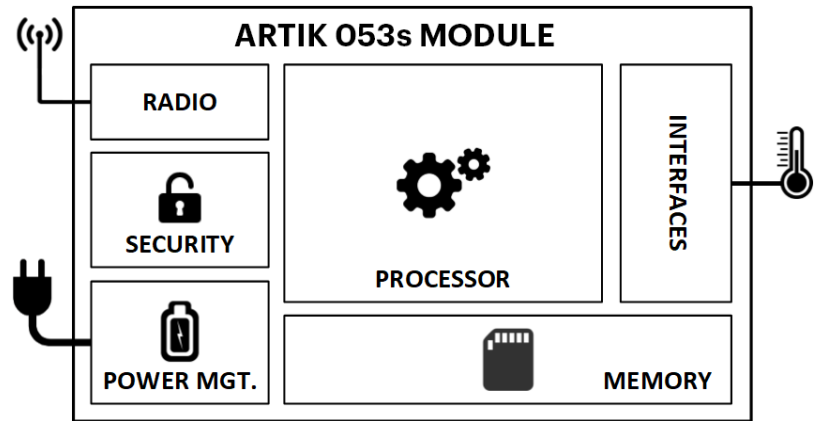


Figure 1. ARTIK 053s Module Top View

Processor	
CPU	32-bit ARM® Cortex® R4 with 32KB I-Cache and 32KB D-Cache @ 320MHz
Memory	
RAM	1280KB (General usage) 128KB (Global IPC data)
FLASH	8MB Flash
Security (ARTIK 053s only)	
Secure Subsystem	AES/DES/TDES, SHA-1/SHA-2, PKA (Public Key Accelerator), PRNG/DTRNG (Random Number Generators), Secure key storage
PUF	Physically Unclonable Function
Radio	
Wi-Fi	Certified IEEE802.11™ b/g/n Wi-Fi® 2.4GHz radio served by a dedicated 32-bit ARM Cortex R4 with 32KB I-Cache and 16KB D-Cache @ 480MHz
Regulatory	FCC (U.S.), IC (Canada), CE (EU), KC (Korea), SRRC (China)
Power Management	
Single Supply	Wide voltage input range of 5–12V
Interfaces	
I/O	UART, I ² C, SPI, PWM, ADC, GPIO, I ² S
Form Factor	
Dimensions	15mm W x 40mm D x 3.9mm H
Operation Environment	
Temperture	-20 to 85 °C T _c

TABLE OF CONTENTS

Module Overview.....	2
Version History	7
Block Diagram.....	8
CPU	8
Memory.....	9
Real Time Clock.....	9
PUF Unit (ARTIK 053s Module Only).....	9
Security Subsystem (ARTIK 053s Module Only).....	10
Wi-Fi Subsystem.....	11
GPIO Interfaces	11
SPI Interfaces.....	11
I ² C Interfaces.....	11
PWM Interfaces	11
I ² S Interface.....	12
ADC Interfaces	12
UART Interfaces.....	13
Module Pad Physical Layout.....	14
Module Pad Signal Definitions	15
Module Pad Signal Definitions by Function.....	18
GPIO Interface.....	18
I2C Interface	19
SPI Interface	20
I2S Interface	20
ADC Interface	20
PWM Interface	21
UART Interface	21
Debug Interface	21
INT Interface	22
Reset Interface	22
Power Interface	22
Electrical Specifications	23
Absolute Maximum Rating.....	23
Recommended Operating Conditions	23
DC Electrical Characteristics	24
Power and Current Consumption.....	25
ESD Ratings	25
RF Electrical Characteristics	26
Mechanical Specifications	27
Module Antenna Placement Requirements	28
Certification and Compliance	29
CE.....	29
FCC Regulatory Disclosures	29
Industry Canada Regulatory Disclosures	30
Industry Canada Statement	30
KC.....	30
SRRC	30
EU Regulatory Disclosures	31

CE Statement 31
Ordering Information32

LIST OF FIGURES

Figure 1. ARTIK 053s Module Top View	2
Figure 2. ARTIK 053/053s Module Block Diagram	8
Figure 3. ADC LSB behavior	12
Figure 4. ARTIK 053/053s Module Edge Pinout (Top View)	14
Figure 5. ARTIK 053/053s Module Mechanical Dimensions (Top View)	27
Figure 6. Module Placement Restrictions.....	28

LIST OF TABLES

Table 1. ARTIK 053/053s Module Pinout Signal Descriptions	15
Table 2. GPIO Interface	18
Table 3. I2C Interface	19
Table 4. SPI Interface.....	20
Table 5. I2S Interface.....	20
Table 6. ADC Interface	20
Table 7. PWM Interface.....	21
Table 8. UART Interface.....	21
Table 9. Debug Interface.....	21
Table 10. Interrupt Interface.....	22
Table 11. Reset Interface	22
Table 12. Power Interface	22
Table 13. Absolute Maximum Ratings	23
Table 14. Recommended Operating Conditions	23
Table 15. GPIO DC Electrical Characteristics.....	24
Table 16. GPIO Signal Drive Strengths.....	24
Table 17. ADC DC Electrical Characteristics	25
Table 18. ARTIK 053/053s Module Power Consumption	25
Table 19. ESD Ratings	25
Table 20. Tx Performance Characteristics	26
Table 21. Rx Performance Characteristics	26

VERSION HISTORY

Revision	Date	Description
V1.0	April 26, 2017	First release
V1.1	November 20, 2017	Updated Figure 4 pinout. Updated Table 2 to show GPIO14 and GPIO17. Updated Module Antenna Placement Requirements . Updated Recommended Operating Conditions . Updated other tables to show GPIO alternate functions. Changed temperature specifications in Recommended Operating Conditions . Added Power and Current Consumption .
V1.2	November 28, 2017	Modified GPIO name for XSPI1_MISO, XSPI1_MOSI, XSPI1_CLK, and XSPI1_CSN in Table 1 and Table 4 to be consistent with assigned GPIO name in Table 2 . Removed GPIO names from Table 9 . Added maximum storage temperature range, T_A , in Absolute Maximum Rating section.
V1.3	January 10, 2018	Updated Mechanical Specifications . Updated CE disclosure in CE Statement from R&TTE to Radio Equipment Directive. I²S Interface : Changed features to indicate that the interface operates in slave mode only.

BLOCK DIAGRAM

Figure 2 shows a functional block diagram of the ARTIK 053/053s Module.

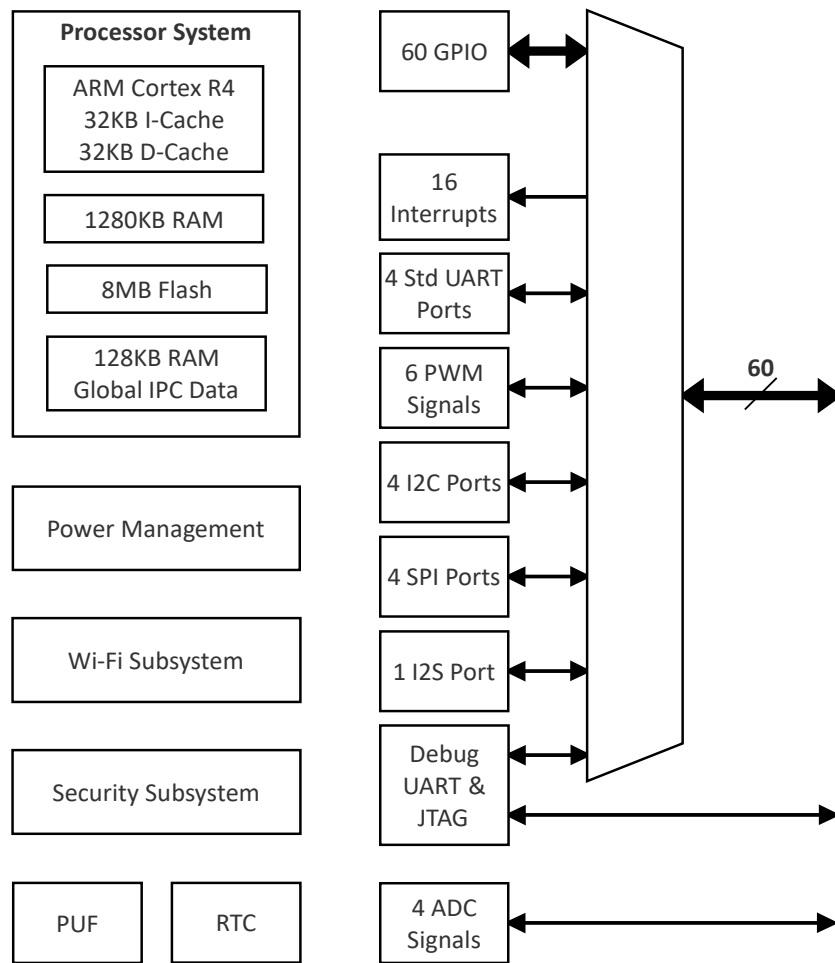


Figure 2. ARTIK 053/053s Module Block Diagram

CPU

The ARTIK 053/053s Module CPU has an ARM® Cortex® R4. It has the following features:

- 32KB of Instruction Cache (I-Cache)
- 32KB of Data Cache (D-Cache)
- 320MHz execution clock
- R4 core tuned for embedded and real-time applications

Memory

The ARTIK 053/053s Module on-module memory has the following features:

- CPU and general purpose RAM
 - 1280KB CPU RAM
 - 128KB global Inter-Process Communication (IPC) RAM
- 8MB flash

Real Time Clock

The ARTIK 053/053s Module has a Real Time Clock (RTC) for tracking date/time. The RTC has the following features:

- Binary-Coded Decimal (BCD) coded seconds, minutes, hour, day of the week, day, month, and year
- Leap year detection and compensation
- Millisecond tick time interrupt for Real-Time Operating System (RTOS) kernel time tick

PUF Unit (ARTIK 053s Module Only)

The ARTIK 053s Module has a Physically Unclonable Function (PUF) unit. The PUF unit has the following features:

- Generates unique key values, locked to an individual ARTIK 053s Module
- The algorithm construction is unique to each module
- Allows individual ARTIK 053/053s Modules to be “fingerprint-identified”

Security Subsystem (ARTIK 053s Module Only)

The ARTIK 053s Module has an independent security subsystem to ensure secure end-to-end operation in any IoT environment. The security subsystem includes the following features:

- Secure IPC Mailbox for inter-subsystem communication
- Encapsulated key support
 - Backup encryption key - 256 bits
 - Security subsystem root private key - 521 bits
 - Storage key - 256 bits
- Symmetric key engines
 - Secure AES
 - Secure DES/Triple-DES
- Stream cipher engine
 - ARC4 engine
- Various Hash engines
 - SHA-1, SHA2-256, SHA2-384, SHA2-512, MD5 HMAC
- Asymmetric key engines
 - PKA (Public Key Accelerator) engine
- PRNG (Pseudo Random Number Generator)
- DTRNG (Digital True Random Number Generator)
- Secure key storage

Wi-Fi Subsystem

The ARTIK 053/053s Module has an 802.11b/g/n Wi-Fi subsystem. The Wi-Fi subsystem has the following features:

- 802.11™ b/g/n support at 2.4GHz
- 20MHz single stream (802.11n)
- WPA/WPA2
- Dedicated Wi-Fi Processor subsystem with 480MHz 32-bit ARM Cortex R4 supported by 32KB I-Cache and 16KB D-Cache.

GPIO Interfaces

The ARTIK 053/053s Module has flexible General Purpose Input Output (GPIO) interfaces:

- 60 configurable GPIO ports
- Independently configurable for either general purpose input or output
- 43 configurable for alternate functionality
- Configurable internal pull-up or pull-down resistors

SPI Interfaces

The ARTIK 053/053s Module has four SPI interfaces, each with the following features:

- Full duplex communication
- 8, 16 or 32-bit shift registers and bus interface
- Motorola SPI protocol and National Semiconductor Microwire protocol
- Master and slave mode operation
- Two independent 32-bit wide transmit/receive FIFOs
- Transmit and receive speeds up to 50MHz

I²C Interfaces

The ARTIK 053/053s Module has four high speed multi-master I²C interfaces available, with speeds up to 3.4Mbps.

PWM Interfaces

The ARTIK 053/053s Module has six PWM timers, each with the following features:

- 32 bits of resolution for each PWM signal
- Two 8-bit prescalers (first level of division) and 5 clock dividers/multiplexers for second-level division
- Continuous run or one-shot pulse mode
- Dead zone generator to avoid simultaneous change of multiple PWM signals
- Interrupt generation

I²S Interface

The ARTIK 053/053s Module has one I²S interface with the following features:

- Each channel includes a 32-bit × 64 data FIFO for both transmit and receive
- Supports stereo I²S bus channels with external DMA-based operations
- Can mix two sound sources from a primary and secondary source
- Serial data transfer formats of 8 bits, 16 bits, or 24 bits per channel
- Supports both MSB and LSB justified data formats
- Operates in I²S slave mode only

ADC Interfaces

The ARTIK 053/053s Module has four analog-to-digital converter (ADC) channels. Each interface has the following features:

- 12-bit resolution
- ADC conversion clock at 1.08 mega-samples per second (MSPS) using a main 6.5MHz clock
- Supports sample averaging over 1, 2, 4, 8, 16, 32, or 64 samples
- Differential non-linearity error range of ± 2 LSB bits (value of ± 2)
- Integral non-linearity error range of ± 3 LSB bits (value of ± 6)
- Top and bottom offset error range of ± 4 LSB bits (value of ± 10)
- Voltage range up to 1.8V

Figure 3 depicts the dynamic behavior between input voltage on the ADC and resulting LSB value in the ADC register.

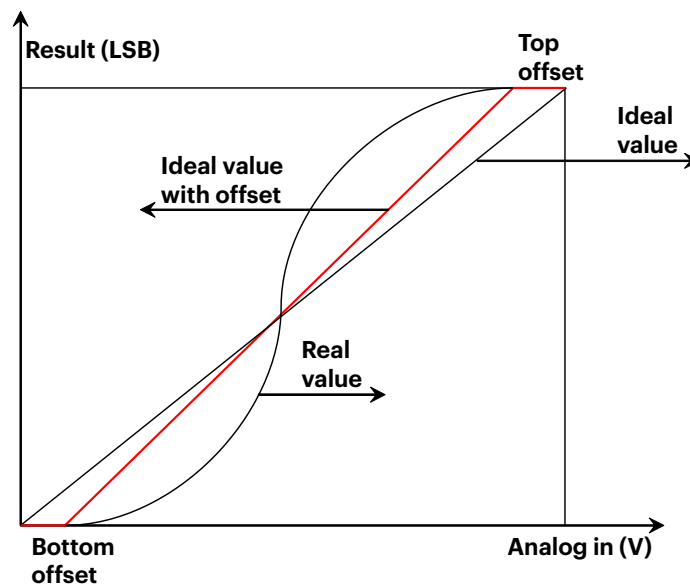


Figure 3. ADC LSB behavior

UART Interfaces

The ARTIK 053/053s Module has five 2-pin UART interfaces; UART0 (RXD/TXD) has a level-shifter FET to support a 5V UART interface and is used in the debug block. Each has the following features:

- Can be operated in DMA or interrupt-based mode
- Support for 5, 6, 7, or 8-bit serial data transmit and receive
- Programmable baud rate
- One or two stop-bit insertion

MODULE PAD SIGNAL DEFINITIONS

The tables below describes the characteristics of the ARTIK 053/053s Module pad signals. Some signals can be configured for alternate functionality. The remaining signals have dedicated functionality. Refer to the following column definitions.

- **Pad Number** defines the signal pad on the edge of the module. Refer to [Figure 4](#) for pad/signal physical layout.
- **Pad Name** defines the net list name of the signal. The pad name may reflect on one of the possible optional signal functionality, and dictates the default power-on function.
- **GPIO Name** defines a generic name for referring to GPIO signals regardless of their current configured functionality. The name order is the same order as the GPIO signals appear in the GPIO configuration registers.
- **PU/PD** defines the power-on state of the internal pull up/pull down definition. PU:pull up, PD:pull down, N:no pull up/down.
- **GPIO Drive** defines the power-on state drive strength of GPIO and other signals. Configurable to 2mA, 4mA, 8mA, or 12mA. Do not use GPIO signals to power discrete components directly (such as LEDs). Use an external driver device instead (such as a transistor).
- **Option 1 - Option 6** lists the alternative functionality some signals can be configured to. Those signals without any options are dedicated to their function. The pad name signifies the default power-on state.

Table 1. ARTIK 053/053s Module Pinout Signal Descriptions

Pad Number	Pad Name & Default Function	GPIO Name	PU/PD	GPIO Drive	Option 1	Option 2	Option 3	Option 4	Option 5	Option 6
1	GND	-	-	-	-	-	-	-	-	-
2	XGPIO26	GPIO43	PD	2mA	GP Input	GP Output	I2S_O_SDO	-	-	-
3	XGPIO25	GPIO42	PD	2mA	GP Input	GP Output	I2S_O_LRCK	-	-	-
4	XGPIO24	GPIO41	PD	2mA	GP Input	GP Output	I2S_O_BCLK	-	-	-
5	XGPIO21	GPIO38	PD	2mA	GP Input	GP Output	-	-	-	NWEINT_GPG2[5]
6	XGPIO19	GPIO36	PD	2mA	GP Input	GP Output	-	-	-	NWEINT_GPG2[3]
7	XGPIO18	GPIO35	PD	2mA	GP Input	GP Output	-	-	-	NWEINT_GPG2[2]
8	XGPIO17	GPIO34	PD	2mA	GP Input	GP Output	-	-	-	NWEINT_GPG2[1]
9	XGPIO14	GPIO31	PD	2mA	GP Input	GP Output	-	-	-	NWEINT_GPG1[6]
10	XGPIO13	GPIO30	PD	2mA	GP Input	GP Output	-	-	-	NWEINT_GPG1[5]
11	XGPIO16	GPIO33	PD	2mA	GP Input	GP Output	-	-	-	NWEINT_GPG2[0]
12	XGPIO15	GPIO32	PD	2mA	GP Input	GP Output	-	-	-	NWEINT_GPG1[7]
13	XGPIO20	GPIO37	PD	2mA	GP Input	GP Output	-	-	-	NWEINT_GPG2[4]
14	XADCOAIN_1	-	-	-	-	-	-	-	-	-
15	XADCOAIN_0	-	-	-	-	-	-	-	-	-
16	XADCOAIN_2	-	-	-	-	-	-	-	-	-
17	XADCOAIN_3	-	-	-	-	-	-	-	-	-
18	XGPIO23	GPIO40	PD	2mA	GP Input	GP Output	-	-	-	NWEINT_GPG2[7]
19	XGPIO22	GPIO39	PD	2mA	GP Input	GP Output	-	-	-	NWEINT_GPG2[6]
20	GND	-	-	-	-	-	-	-	-	-
21	XRESET_N	-	-	-	-	-	-	-	-	-
22	XJTAG_TMS	-	PU	-	-	-	-	-	-	-
23	XJTAG_TDI	-	PU	-	-	-	-	-	-	-
24	XJTAG_TCK	-	PD	-	-	-	-	-	-	-
25	XJTAG_TDO	-	PD	2mA	-	-	-	-	-	-

Table 1. ARTIK 053/053s Module Pinout Signal Descriptions (Continued)

Pad Number	Pad Name & Default Function	GPIO Name	PU/PD	GPIO Drive	Option 1	Option 2	Option 3	Option 4	Option 5	Option 6
26	XJTAG_TRST_N	-	PD	-	-	-	-	-	-	-
27	3V3_EXT_LDO2	-	-	-	-	-	-	-	-	-
28	XEINT_0	GPIO45	PD	2mA	GP Input	GP Output	-	-	-	NWEINT_GPAO[0]
29	XEINT_2	GPIO47	PD	2mA	GP Input	GP Output	-	-	-	NWEINT_GPAO[2]
30	XEINT_1	GPIO46	PD	2mA	GP Input	GP Output	-	-	-	NWEINT_GPAO[1]
31	GND	-	-	-	-	-	-	-	-	-
32	DC_5V_12V	-	-	-	-	-	-	-	-	-
33	XI2C0_SCL	GPIO48	PD	8mA	GP Input	GP Output	HSI2C_0_SCL	-	-	-
34	XI2C0_SDA	GPIO49	PD	8mA	GP Input	GP Output	HSI2C_0_SDA	-	-	-
35	XI2C1_SCL	GPIO50	PD	8mA	GP Input	GP Output	HSI2C_1_SCL	-	-	-
36	XI2C1_SDA	GPIO51	PD	8mA	GP Input	GP Output	HSI2C_1_SDA	-	-	-
37	XDEBUG_TXD	GPIO55	PD	8mA	GP Input	GP Output	Xdebug_TXD	-	-	-
38	XDEBUG_RXD	GPIO54	PD	8mA	GP Input	GP Output	Xdebug_RXD	-	-	-
39	XGPIO28	GPIO14	PD	8mA	GP Input	GP Output	-	-	-	-
40	XPWMTOU4_4	GPIO15	PD	8mA	GP Input	GP Output	PWM_TOUT_5	-	-	-
41	XPWMTOU1_1	GPIO11	PD	8mA	GP Input	GP Output	PWM_TOUT_1	COUNTER_0	UART_3_RTSn	-
42	XPWMTOU0_0	GPIO10	PD	8mA	GP Input	GP Output	PWM_TOUT_0	-	UART_3_CTSn	-
43	XPWMTOU5_5	GPIO16	PD	8mA	GP Input	GP Output	PWM_TOUT_6	-	-	-
44	XPWMTOU2_2	GPIO12	PD	8mA	GP Input	GP Output	PWM_TOUT_2	-	-	-
45	XPWMTOU3_3	GPIO13	PD	8mA	GP Input	GP Output	PWM_TOUT_3	-	-	-
46	XUART0_TXD	GPIO53	PD	8mA	GP Input	GP Output	UART_0_TXD	-	-	-
47	XUART0_RXD	GPIO52	PD	8mA	GP Input	GP Output	UART_0_RXD	-	-	-
48	XSPI0_MISO	GPIO02	PD	8mA	GP Input	GP Output	SPI_0_MISO	-	-	-
49	XSPI0_CSN	GPIO01	PD	8mA	GP Input	GP Output	SPI_0_CSn	-	-	-
50	XSPI0_MOSI	GPIO03	PD	8mA	GP Input	GP Output	SPI_0_MOSI	-	-	-
51	XSPI0_CLK	GPIO00	PD	8mA	GP Input	GP Output	SPI_0_CLK	-	-	-
52	XUART1_TXD	GPIO05	PD	8mA	GP Input	GP Output	UART_1_TXD	UART_2_RTSn	-	-
53	XUART1_RXD	GPIO04	PD	8mA	GP Input	GP Output	UART_1_RXD	UART_2_CTSn	-	-
54	XUART2_RXD	GPIO06	PD	8mA	GP Input	GP Output	UART_2_RXD	-	-	-
55	XUART2_TXD	GPIO07	PD	8mA	GP Input	GP Output	UART_2_TXD	-	-	-
56	XUART3_RXD	GPIO08	PD	8mA	GP Input	GP Output	UART_3_RXD	-	-	-
57	XUART3_TXD	GPIO09	PD	8mA	GP Input	GP Output	UART_3_TXD	-	-	-
58	XGPIO12	GPIO29	PD	2mA	GP Input	GP Output	-	-	-	NWEINT_GPG1[4]
59	XGPIO10	GPIO27	PD	2mA	GP Input	GP Output	SPI_3_MISO	-	-	NWEINT_GPG1[2]
60	XGPIO9	GPIO26	PD	2mA	GP Input	GP Output	SPI_3_CSn	-	-	NWEINT_GPG1[1]
61	XGPIO11	GPIO28	PD	2mA	GP Input	GP Output	SPI_3_MOSI	-	-	NWEINT_GPG1[3]
62	XGPIO6	GPIO23	PD	2mA	GP Input	GP Output	SPI_2_MISO	-	-	-
63	XGPIO8	GPIO25	PD	2mA	GP Input	GP Output	SPI_3_CLK	-	-	NWEINT_GPG1[0]
64	XGPIO7	GPIO24	PD	2mA	GP Input	GP Output	SPI_2_MOSI	-	-	-
65	XGPIO2	GPIO19	PD	2mA	GP Input	GP Output	HSI2C_3_SCL	-	-	-
66	XGPIO4	GPIO21	PD	2mA	GP Input	GP Output	SPI_2_CLK	-	-	-
67	XGPIO5	GPIO22	PD	2mA	GP Input	GP Output	SPI_2_CSn	-	-	-
68	XGPIO1	GPIO18	PD	2mA	GP Input	GP Output	HSI2C_2_SDA	-	-	-
69	XGPIO3	GPIO20	PD	2mA	GP Input	GP Output	HSI2C_3_SDA	-	-	-
70	XGPIO0	GPIO17	PD	2mA	GP Input	GP Output	HSI2C_2_SCL	-	-	-
71	XSPI1_MISO	GPIO56	PD	2mA	GP Input	GP Output	SPI_1_MISO	-	-	-
72	XSPI1_CLK	GPIO54	PD	2mA	GP Input	GP Output	SPI_1_CLK	-	-	-
73	XSPI1_MOSI	GPIO57	PD	2mA	GP Input	GP Output	SPI_1_MOSI	-	-	-

Table 1. ARTIK 053/053s Module Pinout Signal Descriptions (Continued)

Pad Number	Pad Name & Default Function	GPIO Name	PU/PD	GPIO Drive	Option 1	Option 2	Option 3	Option 4	Option 5	Option 6
74	XSPI1_CSN	GPIO55	PD	2mA	GP Input	GP Output	SPI1_CS _n	-	-	-
75	XGPIO27	GPIO44	PD	2mA	GP Input	GP Output	I2S_0_SDI	-	-	-
76	GND	-	-	-	-	-	-	-	-	-
77	GND	-	-	-	-	-	-	-	-	-
78	GND	-	-	-	-	-	-	-	-	-
79	GND	-	-	-	-	-	-	-	-	-

MODULE PAD SIGNAL DEFINITIONS BY FUNCTION

GPIO Interface

Table 2. GPIO Interface

GPIO Name	Pad Name & Default Function	Pad Number	PU/PD	GPIO Drive	Option 1	Option 2	Option 3	Option 4	Option 5	Option 6
GPIO00	XSPIO_CLK	51	PD	8mA	GP Input	GP Output	SPI_0_CLK	-	-	-
GPIO01	XSPIO_CSN	49	PD	8mA	GP Input	GP Output	SPI_0_CSn	-	-	-
GPIO02	XSPIO_MISO	48	PD	8mA	GP Input	GP Output	SPI_0_MISO	-	-	-
GPIO03	XSPIO_MOSI	50	PD	8mA	GP Input	GP Output	SPI_0_MOSI	-	-	-
GPIO04	XUART1_RXD	53	PD	8mA	GP Input	GP Output	UART_1_RXD	UART_2_CTSn	-	-
GPIO05	XUART1_TXD	52	PD	8mA	GP Input	GP Output	UART_1_TXD	UART_2_RTSn	-	-
GPIO06	XUART2_RXD	54	PD	8mA	GP Input	GP Output	UART_2_RXD	-	-	-
GPIO07	XUART2_TXD	55	PD	8mA	GP Input	GP Output	UART_2_TXD	-	-	-
GPIO08	XUART3_RXD	56	PD	8mA	GP Input	GP Output	UART_3_RXD	-	-	-
GPIO09	XUART3_TXD	57	PD	8mA	GP Input	GP Output	UART_3_TXD	-	-	-
GPIO10	XPWMOUT_0	42	PD	8mA	GP Input	GP Output	PWM_TOUT_0	-	UART_3_CTSn	-
GPIO11	XPWMOUT_1	41	PD	8mA	GP Input	GP Output	PWM_TOUT_1	COUNTER_0	UART_3_RTSn	-
GPIO12	XPWMOUT_2	44	PD	8mA	GP Input	GP Output	PWM_TOUT_2	-	-	-
GPIO13	XPWMOUT_3	45	PD	8mA	GP Input	GP Output	PWM_TOUT_3	-	-	-
GPIO14	XGPIO28	39	PD	8mA	GP Input	GP Output	-	-	-	-
GPIO15	XPWMOUT_4	40	PD	8mA	GP Input	GP Output	PWM_TOUT_5	-	-	-
GPIO16	XPWMOUT_5	43	PD	8mA	GP Input	GP Output	PWM_TOUT_6	-	-	-
GPIO17	XGPIO0	70	PD	2mA	GP Input	GP Output	HSI2C_2_SCL	-	-	-
GPIO18	XGPIO1	68	PD	2mA	GP Input	GP Output	HSI2C_2_SDA	-	-	-
GPIO19	XGPIO2	65	PD	2mA	GP Input	GP Output	HSI2C_3_SCL	-	-	-
GPIO20	XGPIO3	69	PD	2mA	GP Input	GP Output	HSI2C_3_SDA	-	-	-
GPIO21	XGPIO4	66	PD	2mA	GP Input	GP Output	SPI_2_CLK	-	-	-
GPIO22	XGPIO5	67	PD	2mA	GP Input	GP Output	SPI_2_CSn	-	-	-
GPIO23	XGPIO6	62	PD	2mA	GP Input	GP Output	SPI_2_MISO	-	-	-
GPIO24	XGPIO7	64	PD	2mA	GP Input	GP Output	SPI_2_MOSI	-	-	-
GPIO25	XGPIO8	63	PD	2mA	GP Input	GP Output	SPI_3_CLK	-	-	NWEINT_GPG1[0]
GPIO26	XGPIO9	60	PD	2mA	GP Input	GP Output	SPI_3_CSn	-	-	NWEINT_GPG1[1]
GPIO27	XGPIO10	59	PD	2mA	GP Input	GP Output	SPI_3_MISO	-	-	NWEINT_GPG1[2]
GPIO28	XGPIO11	61	PD	2mA	GP Input	GP Output	SPI_3_MOSI	-	-	NWEINT_GPG1[3]
GPIO29	XGPIO12	58	PD	2mA	GP Input	GP Output	-	-	-	NWEINT_GPG1[4]
GPIO30	XGPIO13	10	PD	2mA	GP Input	GP Output	-	-	-	NWEINT_GPG1[5]
GPIO31	XGPIO14	9	PD	2mA	GP Input	GP Output	-	-	-	NWEINT_GPG1[6]
GPIO32	XGPIO15	12	PD	2mA	GP Input	GP Output	-	-	-	NWEINT_GPG1[7]
GPIO33	XGPIO16	11	PD	2mA	GP Input	GP Output	-	-	-	NWEINT_GPG2[0]
GPIO34	XGPIO17	8	PD	2mA	GP Input	GP Output	-	-	-	NWEINT_GPG2[1]
GPIO35	XGPIO18	7	PD	2mA	GP Input	GP Output	-	-	-	NWEINT_GPG2[2]
GPIO36	XGPIO19	6	PD	2mA	GP Input	GP Output	-	-	-	NWEINT_GPG2[3]
GPIO37	XGPIO20	13	PD	2mA	GP Input	GP Output	-	-	-	NWEINT_GPG2[4]
GPIO38	XGPIO21	5	PD	2mA	GP Input	GP Output	-	-	-	NWEINT_GPG2[5]

Table 2. GPIO Interface (Continued)

GPIO Name	Pad Name & Default Function	Pad Number	PU/PD	GPIO Drive	Option 1	Option 2	Option 3	Option 4	Option 5	Option 6
GPIO39	XGPIO22	19	PD	2mA	GP Input	GP Output	-	-	-	NWEINT_GPG2[6]
GPIO40	XGPIO23	18	PD	2mA	GP Input	GP Output	-	-	-	NWEINT_GPG2[7]
GPIO41	XGPIO24	4	PD	2mA	GP Input	GP Output	I2S_0_BCLK	-	-	-
GPIO42	XGPIO25	3	PD	2mA	GP Input	GP Output	I2S_0_LRCK	-	-	-
GPIO43	XGPIO26	2	PD	2mA	GP Input	GP Output	I2S_0_SDO	-	-	-
GPIO44	XGPIO27	75	PD	2mA	GP Input	GP Output	I2S_0_SDI	-	-	-
GPIO45	XEINT_0	28	PD	2mA	GP Input	GP Output	-	-	-	NWEINT_GPA0[0]
GPIO46	XEINT_1	30	PD	2mA	GP Input	GP Output	-	-	-	NWEINT_GPA0[1]
GPIO47	XEINT_2	29	PD	2mA	GP Input	GP Output	-	-	-	NWEINT_GPA0[2]
GPIO48	XI2C0_SCL	33	PD	8mA	GP Input	GP Output	HSI2C_0_SCL	-	-	-
GPIO49	XI2C0_SDA	34	PD	8mA	GP Input	GP Output	HSI2C_0_SDA	-	-	-
GPIO50	XI2C1_SCL	35	PD	8mA	GP Input	GP Output	HSI2C_1_SCL	-	-	-
GPIO51	XI2C1_SDA	36	PD	8mA	GP Input	GP Output	HSI2C_1_SDA	-	-	-
GPIO52	XUART0_RXD	47	-	8mA	GP Input	GP Output	UART_0_RXD	-	-	-
GPIO53	XUART0_TXD	46	-	8mA	GP Input	GP Output	UART_0_TXD	-	-	-
GPIO54	XSPI1_CLK	72	PD	2mA	GP Input	GP Output	SPI_1_CLK	-	-	-
GPIO55	XSPI1_CSN	74	PD	2mA	GP Input	GP Output	SPI_1_CS _n	-	-	-
GPIO56	XSPI1_MISO	71	PD	2mA	GP Input	GP Output	SPI_1_MISO	-	-	-
GPIO57	XSPI1_MOSI	73	PD	2mA	GP Input	GP Output	SPI_1_MOSI	-	-	-

I²C Interface

Table 3. I²C Interface

Pad Name & Default Function	Pad Number	GPIO Name	PU/PD	GPIO Drive	Option 1	Option 2	Option 3	Option 4	Option 5	Option 6
XI2C0_SCL	33	GPIO48	PD	8mA	GP Input	GP Output	HSI2C_0_SCL	-	-	-
XI2C0_SDA	36	GPIO49	PD	8mA	GP Input	GP Output	HSI2C_0_SDA	-	-	-
XI2C1_SCL	35	GPIO50	PD	8mA	GP Input	GP Output	HSI2C_1_SCL	-	-	-
XI2C1_SDA	36	GPIO51	PD	8mA	GP Input	GP Output	HSI2C_1_SDA	-	-	-
XGPIO0	70	GPIO00	PD	2mA	GP Input	GP Output	HSI2C_2_SCL	-	-	-
XGPIO1	68	GPIO01	PD	2mA	GP Input	GP Output	HSI2C_2_SDA	-	-	-
XGPIO2	65	GPIO02	PD	2mA	GP Input	GP Output	HSI2C_3_SCL	-	-	-
XGPIO3	69	GPIO03	PD	2mA	GP Input	GP Output	HSI2C_3_SDA	-	-	-

SPI Interface

Table 4. SPI Interface

Pad Name & Default Function	Pad Number	GPIO Name	PU/PD	GPIO Drive	Option 1	Option 2	Option 3	Option 4	Option 5	Option 6
XSPI0_CLK	51	GPIO00	PD	8mA	GP Input	GP Output	SPI_0_CLK	-	-	-
XSPI0_CSN	49	GPIO01	PD	8mA	GP Input	GP Output	SPI_0_CS _n	-	-	-
XSPI0_MISO	48	GPIO02	PD	8mA	GP Input	GP Output	SPI_0_MISO	-	-	-
XSPI0_MOSI	50	GPIO03	PD	8mA	GP Input	GP Output	SPI_0_MOSI	-	-	-
XSPI1_CLK	72	GPIO54	PD	2mA	GP Input	GP Output	SPI_1_CLK	-	-	-
XSPI1_CSN	74	GPIO55	PD	2mA	GP Input	GP Output	SPI_1_CS _n	-	-	-
XSPI1_MISO	71	GPIO56	PD	2mA	GP Input	GP Output	SPI_1_MISO	-	-	-
XSPI1_MOSI	73	GPIO57	PD	2mA	GP Input	GP Output	SPI_1_MOSI	-	-	-
XGPIO5	67	GPIO22	PD	2mA	GP Input	GP Output	SPI_2_CS _n	-	-	-
XGPIO4	66	GPIO21	PD	2mA	GP Input	GP Output	SPI_2_CLK	-	-	-
XGPIO6	62	GPIO23	PD	2mA	GP Input	GP Output	SPI_2_MISO	-	-	-
XGPIO7	64	GPIO24	PD	2mA	GP Input	GP Output	SPI_2_MOSI	-	-	-
XGPIO9	60	GPIO26	PD	2mA	GP Input	GP Output	SPI_3_CS _n	-	-	NWEINT_GPG1[1]
XGPIO11	61	GPIO28	PD	2mA	GP Input	GP Output	SPI_3_MOSI	-	-	NWEINT_GPG1[3]
XGPIO8	63	GPIO25	PD	2mA	GP Input	GP Output	SPI_3_CLK	-	-	NWEINT_GPG1[0]
XGPIO10	59	GPIO27	PD	2mA	GP Input	GP Output	SPI_3_MISO	-	-	NWEINT_GPG1[2]

I²S Interface

Table 5. I²S Interface

Pad Name & Default Function	Pad Number	GPIO Name	PU/PD	GPIO Drive	Option 1	Option 2	Option 3	Option 4	Option 5	Option 6
XGPIO24	4	GPIO41	PD	2mA	GP Input	GP Output	I2S_0_BCLK	-	-	-
XGPIO25	3	GPIO42	PD	2mA	GP Input	GP Output	I2S_0_LRCK	-	-	-
XGPIO26	2	GPIO43	PD	2mA	GP Input	GP Output	I2S_0_SDO	-	-	-
XGPIO27	75	GPIO44	PD	2mA	GP Input	GP Output	I2S_0_SDI	-	-	-

ADC Interface

Table 6. ADC Interface

Pad Name & Default Function	Pad Number	GPIO Name	PU/PD	GPIO Drive	Option 1	Option 2	Option 3	Option 4	Option 5	Option 6
XADCOAIN_0	15	-	-	-	-	-	-	-	-	-
XADCOAIN_1	14	-	-	-	-	-	-	-	-	-
XADCOAIN_2	16	-	-	-	-	-	-	-	-	-
XADCOAIN_3	17	-	-	-	-	-	-	-	-	-

PWM Interface

Table 7. PWM Interface

Pad Name & Default Function	Pad Number	GPIO Name	PU/PD	GPIO Drive	Option 1	Option 2	Option 3	Option 4	Option 5	Option 6
XPWMTOUT_0	42	GPIO10	PD	8mA	GP Input	GP Output	PWM_TOUT_0	-	UART_3_CTSn	-
XPWMTOUT_1	41	GPIO11	PD	8mA	GP Input	GP Output	PWM_TOUT_1	COUNTER_0	UART_3_RTSn	-
XPWMTOUT_2	44	GPIO12	PD	8mA	GP Input	GP Output	PWM_TOUT_2	-	-	-
XPWMTOUT_3	45	GPIO13	PD	8mA	GP Input	GP Output	PWM_TOUT_3	-	-	-
XPWMTOUT_4	40	GPIO15	PD	8mA	GP Input	GP Output	PWM_TOUT_5	-	-	-
XPWMTOUT_5	43	GPIO16	PD	8mA	GP Input	GP Output	PWM_TOUT_6	-	-	-

UART Interface

Table 8. UART Interface

Pad Name & Default Function	Pad Number	GPIO Name	PU/PD	GPIO Drive	Option 1	Option 2	Option 3	Option 4	Option 5	Option 6
XUART0_RXD	47	GPIO52	PD	8mA	GP Input	GP Output	UART_0_RXD	-	-	-
XUART0_TXD	46	GPIO53	PD	8mA	GP Input	GP Output	UART_0_TXD	-	-	-
XUART1_RXD	53	GPIO04	PD	8mA	GP Input	GP Output	UART_1_RXD	UART_2_CTSn	-	-
XUART1_TXD	52	GPIO05	PD	8mA	GP Input	GP Output	UART_1_TXD	UART_2_RTSn	-	-
XUART2_RXD	54	GPIO06	PD	8mA	GP Input	GP Output	UART_2_RXD	-	-	-
XUART2_TXD	55	GPIO07	PD	8mA	GP Input	GP Output	UART_2_TXD	-	-	-
XUART3_RXD	56	GPIO08	PD	8mA	GP Input	GP Output	UART_3_RXD	-	-	-
XUART3_TXD	57	GPIO09	PD	8mA	GP Input	GP Output	UART_3_TXD	-	-	-

Debug Interface

Table 9. Debug Interface

Pad Name & Default Function	Pad Number	GPIO Name	PU/PD	GPIO Drive	Option 1	Option 2	Option 3	Option 4	Option 5	Option 6
XJTAG_TCK	24	-	PD	-	-	-	-	-	-	-
XJTAG_TMS	22	-	PU	-	-	-	-	-	-	-
XJTAG_TDI	23	-	PU	-	-	-	-	-	-	-
XJTAG_TDO	25	-	PD	-	-	-	-	-	-	-
XJTAG_TRST_N	26	-	PD	-	-	-	-	-	-	-
XDEBUG_RXD	38	-	PD	8mA	GP Input	GP Output	Xdebug_RXD	-	-	-
XDEBUG_TXD	37	-	PD	8mA	GP Input	GP Output	Xdebug_TXD	-	-	-

INT Interface

Table 10. Interrupt Interface

Pad Name & Default Function	Pad Number	GPIO Name	PU/PD	GPIO Drive	Option 1	Option 2	Option 3	Option 4	Option 5	Option 6
XEINT_0	28	GPIO45	PD	2mA	GP Input	GP Output	-	-	-	NWEINT_GPA0[0]
XEINT_1	30	GPIO46	PD	2mA	GP Input	GP Output	-	-	-	NWEINT_GPA0[1]
XEINT_2	29	GPIO47	PD	2mA	GP Input	GP Output	-	-	-	NWEINT_GPA0[2]
XGPIO8	63	GPIO25	PD	2mA	GP Input	GP Output	SPI_3_CLK	-	-	NWEINT_GPG1[0]
XGPIO9	60	GPIO26	PD	2mA	GP Input	GP Output	SPI_3_CS _n	-	-	NWEINT_GPG1[1]
XGPIO10	59	GPIO27	PD	2mA	GP Input	GP Output	SPI_3_MISO	-	-	NWEINT_GPG1[2]
XGPIO11	61	GPIO28	PD	2mA	GP Input	GP Output	SPI_3_MOSI	-	-	NWEINT_GPG1[3]
XGPIO12	58	GPIO29	PD	2mA	GP Input	GP Output	-	-	-	NWEINT_GPG1[4]
XGPIO13	10	GPIO30	PD	2mA	GP Input	GP Output	-	-	-	NWEINT_GPG1[5]
XGPIO14	9	GPIO31	PD	2mA	GP Input	GP Output	-	-	-	NWEINT_GPG1[6]
XGPIO15	12	GPIO32	PD	2mA	GP Input	GP Output	-	-	-	NWEINT_GPG1[7]
XGPIO16	11	GPIO33	PD	2mA	GP Input	GP Output	-	-	-	NWEINT_GPG2[0]
XGPIO17	8	GPIO34	PD	2mA	GP Input	GP Output	-	-	-	NWEINT_GPG2[1]
XGPIO18	7	GPIO35	PD	2mA	GP Input	GP Output	-	-	-	NWEINT_GPG2[2]
XGPIO19	6	GPIO36	PD	2mA	GP Input	GP Output	-	-	-	NWEINT_GPG2[3]
XGPIO20	13	GPIO37	PD	2mA	GP Input	GP Output	-	-	-	NWEINT_GPG2[4]
XGPIO21	5	GPIO38	PD	2mA	GP Input	GP Output	-	-	-	NWEINT_GPG2[5]
XGPIO22	19	GPIO39	PD	2mA	GP Input	GP Output	-	-	-	NWEINT_GPG2[6]
XGPIO23	18	GPIO40	PD	2mA	GP Input	GP Output	-	-	-	NWEINT_GPG2[7]

Reset Interface

Table 11. Reset Interface

Pad Name	Pad Number
XRESET_N	21

Power Interface

Table 12. Power Interface

Pad Name	Pad Number
3V3_EXT_LDO ^a	27
DC_5V_12V	32
GND	[1, 20, 76, 77, 78, 79]

a. Voltage reference only; do not use to power external devices

ELECTRICAL SPECIFICATIONS

Absolute Maximum Rating

Table 13. Absolute Maximum Ratings

PAD Number	Symbol	Description	Min	Typ	Max	Units
[32]	V_{IN}	Input voltage V_{IN} on the high-efficiency step-down converter	-	-	20	V
[2-19], [21-26], [28-31], [33-45], [48-75]	$V_{undershoot}$	Undershoot voltage for I/O	-0.3	-	-	V
[31]	PWR_RST	-	-0.3	-	6	V
[46, 47]	V_{MAX}	Based on 3.3V I/O signaling	-	-	60	V
	I_{MAX}	Continuous	-	-	305	mA
		Pulsed	-	-	800	mA
-	T_A	Storage Temperature	-40	-	85	°C

Recommended Operating Conditions

The recommended operation of the ARTIK 053/053s Module is based on the operating conditions listed in [Table 14](#)

Table 14. Recommended Operating Conditions

Parameter	Symbol	Min	Typ	Max	Units
Main Power Supply: PAD: 32	DC_5V_12V	4.75	-	13.5	V
Operating Temperature	T_c	-20	-	85	°C

DC Electrical Characteristics

Table 15. GPIO DC Electrical Characteristics

PAD Number	Symbol	Description	Condition	Min	Typ	Max	Units	
[2-13, 18, 19], [21-26], [28-31], [33-45], [48-75]	V _{TOL}	Tolerant External Voltage	3.3 Power Off and On	-	-	3.6	V	
	V _{IH}	High-Level Input Voltage						
		CMOS Interface	-		2.31	-	3.6	V
	V _{IL}	Low-Level Input Voltage						
		CMOS Interface	V _{DD} = 3.3V ± 10%		-0.3	-	0.7	V
	Δ _V	Hysteresis Voltage	-	0.15	-	-	V	
	I _{IH}	High-Level Input Current						
		Input Buffer	V _{IN} = 3.3V	V _{DD} = 3.3V Power On	-3	-	3	μA
				V _{DD} = 3.3V Power Off & SNS=0	-5	-	5	
	Input Buffer Pull-Down	V _{IN} = 3.3V	V _{DD} = 3.3V ± 10%	13	40	90		
	I _{IL}	Low-Level Input Current						
		Input Buffer	V _{IN} = 0V	V _{DD} = 3.3V Power On and Off	-3	-	3	μA
				V _{DD} = 3.3V	-13	-	-90	
	Input Buffer Pull-Down	V _{IN} = 0V						
	V _{OH}	Output High Voltage	I _{OH} = 2.0mA, 4.0mA, 8.0mA and 12.0mA		2.64	-	3.3	V
V _{OL}	Output Low Voltage	I _{OL} = -2.0mA, -4.0mA, -8.0mA and -12.0mA		0	-	0.66		
V _{OZ}	Output Hi-Z Current	-		-5	-	5	μA	
C _{IN}	Input Capacitance	Any input and bi-directional buffers		-	-	5	pF	
C _{OUT}	Output Capacitance	Any output buffers		-	-	5	pF	

Table 16. GPIO Signal Drive Strengths

State	Currents: Max conditions V _{DD} = 3.3V	Units
0	2	mA
1	4	mA
2	8 (default)	mA
3	12	mA

Table 17. ADC DC Electrical Characteristics

PAD Number	Symbol	Description	Condition	Min	Typ	Max	Units
[14-17]	V _{IH}	High Level Input Voltage	Guaranteed Logic High Level	1.26	-	1.8	V
	V _{IL}	Low Level Input Voltage	Guaranteed Logic Low Level	0	-	0.54	V
	V _{OH}	Output High Voltage	I _{OH} = 2mA, 4mA, 8mA and 12mA	1.44	-	1.8	V
	V _{OL}	Output Low Voltage	I _{OL} = 2mA, 4mA, 8mA and 12mA	0	-	0.36	V
	I _{RPU}	Input Pull-Up Resistor Current	V _{PAD} = 0	15	-	77	μA
	I _{RPD}	Input Pull-Down Resistor Current	V _{PAD} = 1.8	17	-	77	μA
	V _H	Input Hysteresis	-	0.18	-	-	V
	I _{PAD}	Input Leakage Current for Non Tolerant Cells	D _{VDD} = 1.8, V _{PAD} = 0 or 1.8V	-6	-	+6	μA
	I _{OZ}	Off State Leakage Current	D _{VDD} = 1.8, V _{PAD} = 0 or 1.8V	-6	-	+6	μA

Power and Current Consumption

The values in this table are nominal. Measurements were taken on sample boards at room temperature using a wide-input-range (5–12V) system power supply.

Table 18. ARTIK 053/053s Module Power Consumption

Category	Scenario	Condition	Throughput Conditions	Current (mA)	Power (W)
Wi-Fi	802.11b Tx	5V supply; transfer packet using iperf3 @ 11 Mbps & max TX power	-	362 ±30	1.8
		12V supply; transfer packet using iperf3 @ 11 Mbps & max TX power	-	151 ±15	1.8
	802.11n Tx	5V supply; transfer packet using iperf3 @ 25 Mbps	Max	254 ±25	1.27
		12V supply; transfer packet using iperf3 @ 25 Mbps	Max	110 ±10	1.32
	802.11n Rx	5V supply; transfer packet using iperf3 @ 25 Mbps	Max	191 ±20	0.955
		12V supply; transfer packet using iperf3 @ 25 Mbps	Max	85 ±10	1.02
	802.11n Idle	5V supply; DTIM3	-	46.5 ±5	0.233
		12V supply; DTIM3	-	23.3 ±3	0.279

ESD Ratings

Table 19. ESD Ratings

Parameter	Min	Typ	Max	Units
ESD stress voltage Human Body Model (JEDEC)	-1.0	-	1.0	kV
ESD stress voltage Charged Device Model	-	250	-	V

RF Electrical Characteristics

Table 20. Tx Performance Characteristics

Parameter	Min	Typ	Max	Units
RF frequency range	2412	-	2472	GHz
11b (1-11Mbps)	-	16	-	dBm
11g (6-54Mbps)	-	14	-	dBm
11n, HT20 (MCS0-7)	-	12	-	dBm

Table 21. Rx Performance Characteristics ^a

Parameter	Min	Typ	Max	Units
RF frequency range	2412	-	2472	GHz
11b (1Mbps)	-	-97.2	-	dBm
11b (11Mbps)	-	-89.1	-	dBm
11g (6Mbps)	-	-94.1	-	dBm
11g (54Mbps)	-	-76.2	-	dBm
11n, HT20 (MCS0)	-	-93.9	-	dBm
11n, HT20 (MCS07)	-	-73.8	-	dBm

a. Measured in a conduction test performed in a shielded room

MECHANICAL SPECIFICATIONS

Figure 5 shows the mechanical dimensions of the ARTIK 053/053s Module. All dimensions are in mm.



The top layer “NO PCB ROUTING” gray areas are to prevent any shorts between exposed vias or traces and unused ARTIK 053/053s Module pads.

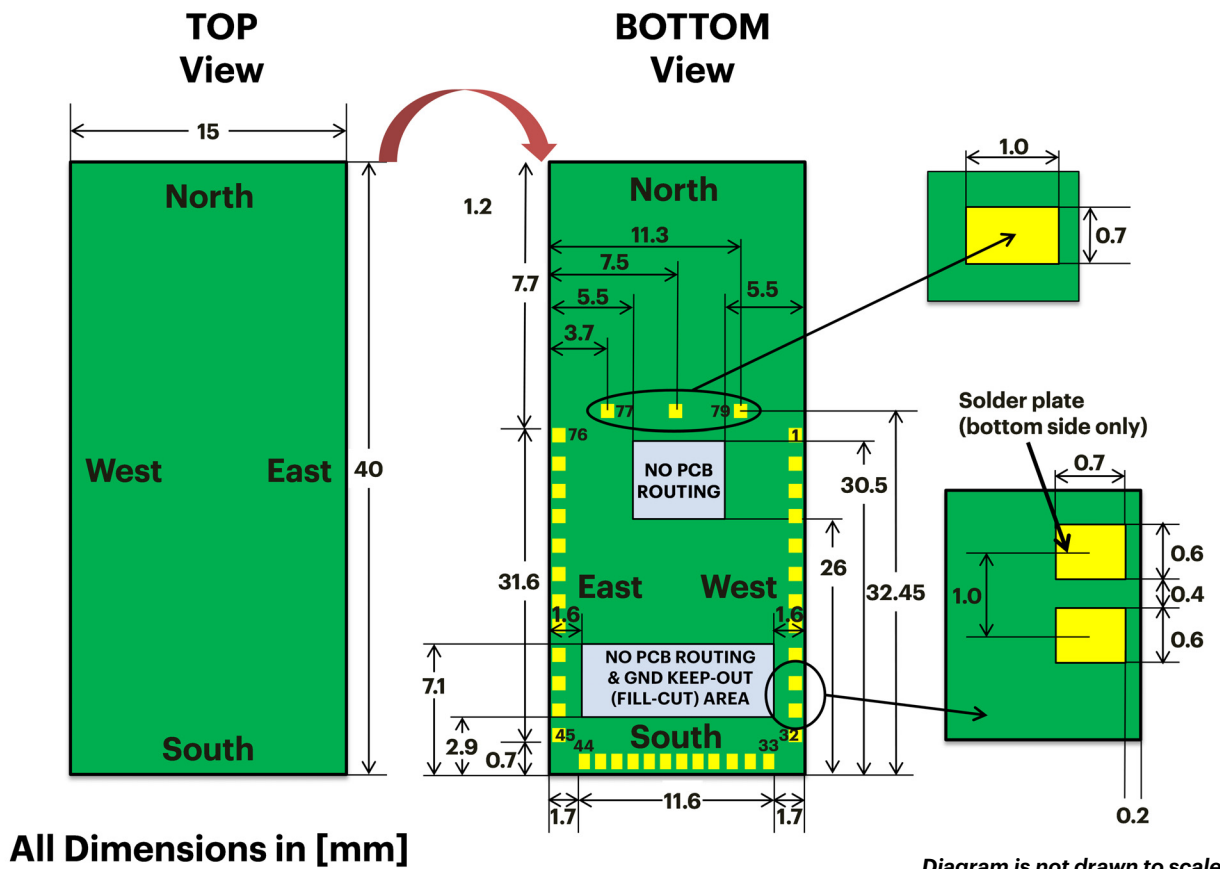


Figure 5. ARTIK 053/053s Module Mechanical Dimensions (Top View)

Module Antenna Placement Requirements

The ARTIK 053/053s Module has an integrated on-module antenna. The figure below describes the required restrictions on location when placing the ARTIK 053/053s Module on your native PCB design. In addition, adhere to the following guidelines:

- To avoid severe Wi-Fi radiation loss, Samsung Semiconductor, Inc. strongly recommends allocating a “No PCB Routing or Power Planes” metal-free area of 5×6.7mm (all layers) next to the on-module antenna, as shown in [Figure 6](#).
- Locate the antenna area at the edge of your PCB board, and as far away from other electronics as possible.

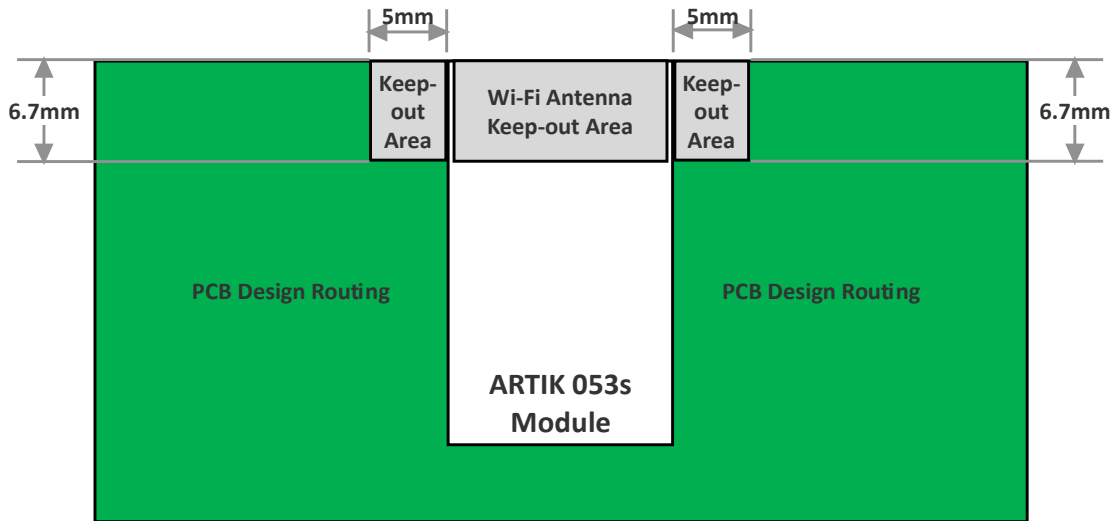


Figure 6. Module Placement Restrictions

CERTIFICATION AND COMPLIANCE

CE

The ARTIK 053/053s Module is in compliance with each applicable article of the Radio Equipment Directive (RED) Compliance with the following standards was confirmed:

- Article 3.1a (Health and Safety) EN 60950-1:2006 + A11:2009 + A1:2010 + A12:2001 + A2:2013
- Article 3.1.b (EMC) EN 301 489-1 V2.1.1
EN 301 489-17 V3.1.1
- Article 3.2 (Radio spectrum use) EN 300 328 V2.1.1
EN 62311:2008

For a formal notified body statement of opinion contact your sales representative.

FCC Regulatory Disclosures

This device complies with Part 15 of the FCC's Rules. Operation is subject to the following two Conditions: (1) This device may not cause harmful interference, and (2) This device must accept any interference received, including interference that may cause undesirable operation.

This equipment has been tested and found to comply with the limits for a Class B digital device, pursuant to part 15 of the FCC Rules. These limits are designed to provide reasonable protection against harmful interference in a residential installation. This equipment generates, uses and can radiate radio frequency energy and, if not installed and used in accordance with the instructions, may cause harmful interference to radio communications. However, there is no guarantee that interference will not occur in a particular installation. If this equipment does cause harmful interference to radio or television reception, which can be determined by turning the equipment off and on, the user is encouraged to try to correct the interference by one or more of the following measures:

- Reorient or relocate the receiving antenna.
- Increase the separation between the equipment and receiver.
- Connect the equipment into an outlet on a circuit different from that to which the receiver is connected.
- Consult the dealer or an experienced radio/ TV technician for help.

This equipment complies with FCC radiation exposure limits set forth for an uncontrolled environment. This equipment should be installed and operated with a minimum distance of 20cm between the transmitter's radiating structure(s) and the body of the user or nearby persons.

This module is intended for OEM integration. The OEM integrator is responsible for FCC compliance and compliance with all applicable regulations including those for modular transmitters 47 C.F.R. 15.212. The OEM product must comply with all applicable labeling requirements including those contained in 15 C.F.R. 15.19. The OEM is solely responsible for certification and testing and labeling of its own products. In addition to any independently required labels, the OEM shall also affix to the outside of a device into which the module is installed a label referring to the enclosed module. This exterior label should be prepared in a legible font and permanently affixed and using the wording "Contains Transmitter Module FCCID: A3LCWAM210S."

The OEM is required to ensure that the end product integrates this module so as to maintain a minimum distance of 20 cm between the equipment's radiating structure(s) and the body of the user or nearby persons. The OEM shall also advise its end user of this requirement as required by applicable rules.

The OEM shall require that the end user of its product be informed that the FCC radio frequency exposure guidelines for an uncontrolled environment can be satisfied. The OEM shall further inform its end user that any change or modifications to this module not expressly approved by the manufacturer will void the warranty and the users' authority to operate the equipment.

Industry Canada Regulatory Disclosures

Industry Canada Statement

This device complies with Industry Canada license-exempt RSS standard(s). Operation is subject to the following two conditions: (1) This device may not cause harmful interference, and (2) this device must accept any interference received, including interference that may cause undesired operation.

Cet appareil est conforme avec Industrie Canada exempts de licence standard RSS (s). L'opération est soumise aux deux conditions suivantes:(1) cet appareil ne peut causer d'interférences, et?(2) cet appareil doit accepter toute interférence, y compris les interférences qui peuvent causer un mauvais fonctionnement de l'appareil.

Industry Canada Radiation Exposures Statement and Limitations on Use

This equipment complies with IC RSS-102 radiation exposure limits set forth for an uncontrolled environment. This equipment should be installed and operated with minimum distance 20 cm between the radiator and your body. This equipment should be installed and must not be co-located or operating in conjunction with any other antenna or transmitter.

In the United States and Canada, only Channel 1-11 can be operated and these channel assignments deal only with the 2.4 GHz range.

The end product must be labeled to display the Industry Canada certification number of the module

Contains transmitter module IC: 649E-CWAM210S

Le dispositif d'accueil doivent être étiquetés pour afficher le numéro de certification d'Industrie Canada du module.

Contient module émetteur IC : 649E-CWAM210S

KC

The ARTIK 053/053s Module complies with the standards set by the Korean communications commission (KC).

KC Identifier: MSIP-CRM-SEC-CWAM210S

SRRC

Both the ARTIK 053/053s Module complies with the standards set by the People's Republic of China.

CMIIT ID: 2017DJ0869(M)

EU Regulatory Disclosures

CE Statement

The following statement must be supplied with each product but can be printed in the user manual, the packaging, or provided as a separated leaflet.

Hereby, Samsung declares that this IoT Module is in compliance with the essential requirements and other relevant provisions of Article 3 Essential requirements of the Radio Equipment Directive 1999/5/EC, 2014/53/EU and RoHS directive 2011/65/EU.

“The declaration of conformity may be consulted at www.artik.io/certification”

The OEM is required to ensure that the end product integrates this module so as to maintain a minimum distance of 20 cm between the equipment’s radiating structure(s) and the body of the user or nearby persons. The OEM shall also advise its end user of this requirement as required by applicable rules.

ORDERING INFORMATION

Type	Order Number	Description
ARTIK 053s Module	SIP-OP5WRS302	One ARTIK 053s Module
ARTIK 053s Development Kit	SIP-KITNXF002	One ARTIK 053s Module One Embedded Evaluation Board

For volume ordering of evaluation kits, contact a sales representative in your area or visit:

<https://www.artik.io/contact-us/>

LEGAL INFORMATION

INFORMATION IN THIS DOCUMENT IS PROVIDED IN CONNECTION WITH THE SAMSUNG ARTIK™ DEVELOPMENT KIT AND ALL RELATED PRODUCTS, UPDATES, AND DOCUMENTATION (HEREINAFTER "SAMSUNG PRODUCTS"). NO LICENSE, EXPRESS OR IMPLIED, BY ESTOPPEL OR OTHERWISE, TO ANY INTELLECTUAL PROPERTY RIGHTS IS GRANTED BY THIS DOCUMENT. THE LICENSE AND OTHER TERMS AND CONDITIONS RELATED TO YOUR USE OF THE SAMSUNG PRODUCTS ARE GOVERNED EXCLUSIVELY BY THE SAMSUNG ARTIK™ DEVELOPER LICENSE AGREEMENT THAT YOU AGREED TO WHEN YOU REGISTERED AS A DEVELOPER TO RECEIVE THE SAMSUNG PRODUCTS. EXCEPT AS PROVIDED IN THE SAMSUNG ARTIK™ DEVELOPER LICENSE AGREEMENT, SAMSUNG ELECTRONICS CO., LTD. AND ITS AFFILIATES (COLLECTIVELY, "SAMSUNG") ASSUMES NO LIABILITY WHATSOEVER, INCLUDING WITHOUT LIMITATION CONSEQUENTIAL OR INCIDENTAL DAMAGES, AND SAMSUNG DISCLAIMS ANY EXPRESS OR IMPLIED WARRANTY, ARISING OUT OF OR RELATED TO YOUR SALE, APPLICATION AND/OR USE OF SAMSUNG PRODUCTS INCLUDING LIABILITY OR WARRANTIES RELATED TO FITNESS FOR A PARTICULAR PURPOSE, MERCHANTABILITY, OR INFRINGEMENT OF ANY PATENT, COPYRIGHT, OR OTHER INTELLECTUAL PROPERTY RIGHT.

SAMSUNG RESERVES THE RIGHT TO CHANGE PRODUCTS, INFORMATION, DOCUMENTATION AND SPECIFICATIONS WITHOUT NOTICE. THIS INCLUDES MAKING CHANGES TO THIS DOCUMENTATION AT ANY TIME WITHOUT PRIOR NOTICE. THIS DOCUMENTATION IS PROVIDED FOR REFERENCE PURPOSES ONLY, AND ALL INFORMATION DISCUSSED HEREIN IS PROVIDED ON AN "AS IS" BASIS, WITHOUT WARRANTIES OF ANY KIND. SAMSUNG ASSUMES NO RESPONSIBILITY FOR POSSIBLE ERRORS OR OMISSIONS, OR FOR ANY CONSEQUENCES FROM THE USE OF THE DOCUMENTATION CONTAINED HEREIN.

Samsung Products are not intended for use in medical, life support, critical care, safety equipment, or similar applications where product failure could result in loss of life or personal or physical harm, or any military or defense application, or any governmental procurement to which special terms or provisions may apply.

This document and all information discussed herein remain the sole and exclusive property of Samsung. All brand names, trademarks and registered trademarks belong to their respective owners. For updates or additional information about Samsung ARTIK™, contact the Samsung ARTIK™ team via the Samsung ARTIK™ website at www.artik.io.

Copyright © 2018 Samsung Electronics Co., Ltd.

All rights reserved. No part of this publication may be reproduced, stored in a retrieval system, or transmitted in any form or by any means, electric or mechanical, by photocopying, recording, or otherwise, without the prior written consent of Samsung Electronics.

SAMSUNG ELECTRONICS RESERVES THE RIGHT TO CHANGE PRODUCTS, INFORMATION AND SPECIFICATIONS WITHOUT NOTICE.

Products and specifications discussed herein are for reference purposes only. All information discussed herein is provided on an "AS IS" basis, without warranties of any kind. This document and all information discussed herein remain the sole and exclusive property of Samsung Electronics. No license of any patent, copyright, mask work, trademark or any other intellectual property right is granted by one party to the other party under this document, by implication, estoppel or other-wise. Samsung products are not intended for use in life support, critical care, medical, safety equipment, or similar applications where product failure could result in loss of life or personal or physical harm, or any military or defense application, or any governmental procurement to which special terms or provisions may apply. For updates or additional information about Samsung products, contact your nearest Samsung office. All brand names, trademarks and registered trademarks belong to their respective owners.