



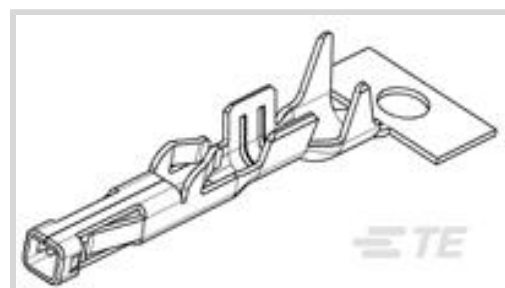
SlimSeal | SlimSeal Connectors Headers

TE Internal #: 1-2106123-1

SlimSeal Connectors Headers, Plug & Socket Lighting Connectors, Wire-to-Wire, 1 Position, .1mm [2.5in] Centerline, Sealable, Wire & Cable

[View on TE.com >](#)

Connectors > Lighting Connectors > Plug & Socket Connectors



Connector System: **Wire-to-Wire**

Number of Positions: 1

Centerline (Pitch): .1 mm [2.5 in]

Sealable: **Yes**

Connector & Contact Terminates To: **Wire & Cable**

Features

Product Type Features

Product Type	Connector
Wire/Cable Type	Discrete Wire
Connector System	Wire-to-Wire
Sealable	Yes
Connector & Contact Terminates To	Wire & Cable

Configuration Features

Number of Positions	1
---------------------	---

Electrical Characteristics

Operating Voltage	300 VDC
-------------------	---------

Contact Features

Contact Current Rating (Max)	3.5 A
------------------------------	-------

Housing Features

Housing Color	Black
Centerline (Pitch)	.1 mm[2.5 in]

Usage Conditions

Operating Temperature Range	-40 – 105 °C[-40 – 221 °F]
-----------------------------	----------------------------

Product Compliance



[For compliance documentation, visit the product page on TE.com>](#)

EU RoHS Directive 2011/65/EU	Compliant
EU ELV Directive 2000/53/EC	Compliant
China RoHS 2 Directive MIIT Order No 32, 2016	No Restricted Materials Above Threshold
EU REACH Regulation (EC) No. 1907/2006	Current ECHA Candidate List: JAN 2021 (211) Candidate List Declared Against: JAN 2021 (211) Does not contain REACH SVHC
Halogen Content	Low Halogen - Br, Cl, F, I < 900 ppm per homogenous material. Also BFR/CFR/PVC Free
Solder Process Capability	Not applicable for solder process capability

Product Compliance Disclaimer

This information is provided based on reasonable inquiry of our suppliers and represents our current actual knowledge based on the information they provided. This information is subject to change. The part numbers that TE has identified as EU RoHS compliant have a maximum concentration of 0.1% by weight in homogenous materials for lead, hexavalent chromium, mercury, PBB, PBDE, DBP, BBP, DEHP, DIBP, and 0.01% for cadmium, or qualify for an exemption to these limits as defined in the Annexes of Directive 2011/65/EU (RoHS2). Finished electrical and electronic equipment products will be CE marked as required by Directive 2011/65/EU. Components may not be CE marked. Additionally, the part numbers that TE has identified as EU ELV compliant have a maximum concentration of 0.1% by weight in homogenous materials for lead, hexavalent chromium, and mercury, and 0.01% for cadmium, or qualify for an exemption to these limits as defined in the Annexes of Directive 2000/53/EC (ELV). Regarding the REACH Regulation, the information TE provides on SVHC in articles for this part number is based on the latest European Chemicals Agency (ECHA) 'Guidance on requirements for substances in articles' posted at this URL: <https://echa.europa.eu/guidance-documents/guidance-on-reach>

Compatible Parts



TE Part # 2106135-3
Assembly, Plug, 3-Position



TE Part # 2106135-2
Assembly, Free Hanging Plug, SLC, 2 pos



TE Part # 2154854-1
SlimSeal Assembly, Plug, 1 position



TE Part # 2106135-4
Assembly, Free Hanging Plug, SLC, 4 pos



TE Part # 2063957-2
SDE COMMERCIAL DIE



TE Part # 2063956-2
SDE COMMERCIAL DIE



TE Part # 2063956-1
SDE COMMERCIAL TOOL & DIE



TE Part # 2063957-1
SDE COMMERCIAL TOOL & DIE

Also in the Series | SlimSeal Connectors Headers



Plug & Socket Lighting Connectors(33)

Customers Also Bought



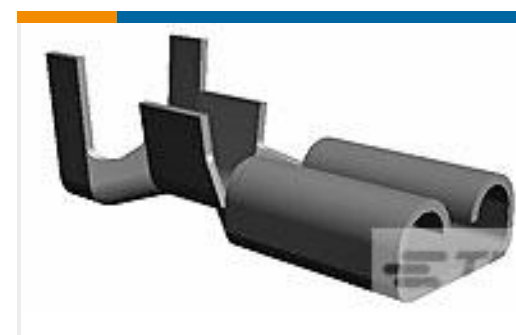
TE Part #175285-5
DYNAMIC D-3 TAB CONT. M PRE-TIN



TE Part #1734260-8
1.25 WTB HDR SMT, 8 POS



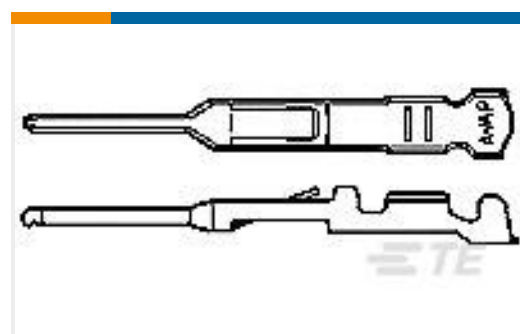
TE Part #928205-2
2P TELFIX BU-GEH



TE Part #1217149-1
187 FASTON, REC., 18-14 AWG, TPBR



TE Part #1623517-1
CRG1206 1% 470R



TE Part #170376-3
EIS CONN. PIN CONTACT



TE Part #1534684-1
MAG MATE CONT. .300 SOLDER POST



TE Part #1068573002
FLHTC0311-20-9



TE Part #1969609-2
2P VAL-U-LOK TPA 26-22 AWG



TE Part #1393277-4
V23076A1001C133

Documents

Product Drawings

[CONTACT, Recept, SLC, Tin Plated, On Stri](#)

English

CAD Files

[Customer View Model](#)

[ENG_CVM_CVM_1-2106123-1_A.2d_dxf.zip](#)



English

[3D PDF](#)

3D

Customer View Model

[ENG_CVM_CVM_1-2106123-1_A.3d_igs.zip](#)

English

Customer View Model

[ENG_CVM_CVM_1-2106123-1_A.3d_stp.zip](#)

English

By downloading the CAD file I accept and agree to the [Terms and Conditions](#) of use.

Datasheets & Catalog Pages

[SLIMSEAL_SSL_CONNECOTS](#)

English

Product Specifications

[Application Specification](#)

English