

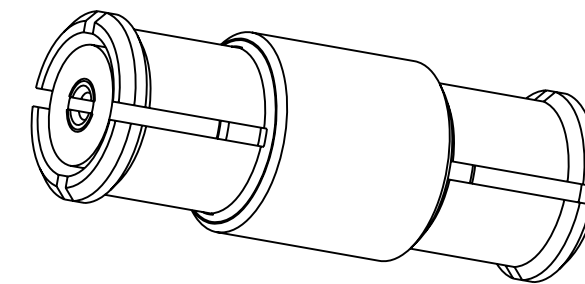
NOTES:

1. MATERIALS AND FINISHES:
 BODY - BeCu, GOLD PLATING (.000004 THICK) OVER
 HIGH PHOS ELECTROLESS NICKEL (.000100 THICK)
 CONTACT - BeCu, GOLD PLATING (.000004 THICK) OVER
 HIGH PHOS ELECTROLESS NICKEL (.000100 THICK)
 INSULATOR - PTFE
2. ELECTRICAL:
 A. IMPEDANCE: 50 OHM
 B. FREQUENCY RANGE: DC - 26.5 GHz
 C. VSWR(RETURN LOSS): 1.07 (30 dB), MAX. DC-4 GHz
 1.29 (18 dB), MAX. DC-12 GHz
 1.50 (14 dB), MAX. DC-18 GHz
 D. DIELECTRIC WITHSTANDING VOLTAGE: 500 VRMS, MIN.
3. MECHANICAL:
 A. DURABILITY: 100 CYCLES MIN. FULL DETENT
 500 CYCLES MIN. LIMITED DETENT
 1000 CYCLES MIN. SMOOTH BORE
 B. TEMPERATURE RANGE: -65° C TO +165° C
4. PACKAGING:
 A. QUANTITY: SINGLE PACK
 B. MARKING: BAG TO BE MARKED
 "AMPHENOL, SMP-FSBA-093, AND DATE CODE"

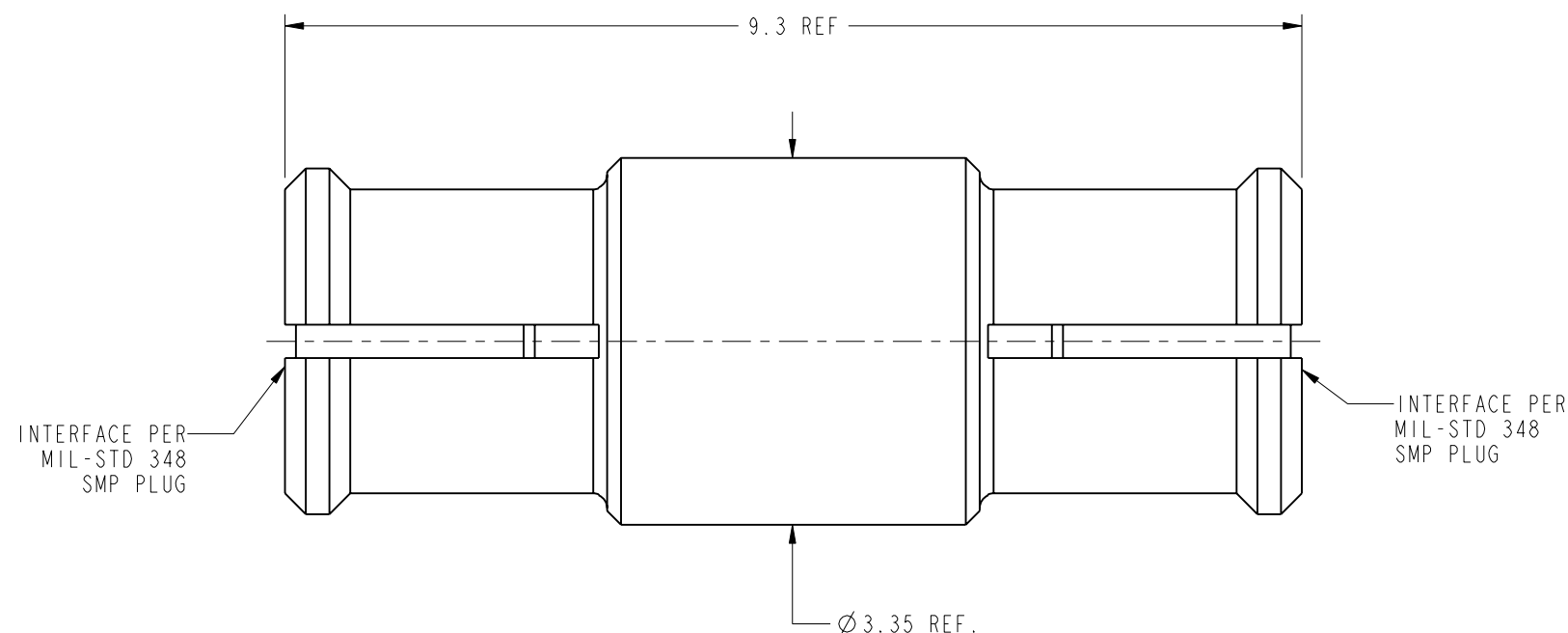
THIRD ANGLE PROJ.

REVISIONS

REV	DESCRIPTION	DATE	ECO	APPR
A	RELEASE TO MFG.	09-Oct-13	48943	RM



SCALE 8.000



CUSTOMER OUTLINE DRAWING

ALL OTHER SHEETS ARE FOR INTERNAL USE ONLY

UNLESS OTHERWISE SPECIFIED, DIMENSIONS ARE IN METRIC AND TOLERANCES ARE: <0.5mm ±0.05mm 0.5 - 6mm ±0.1mm 6 - 30mm ±0.2mm 30 - 120mm ±0.3mm ANGLES ±1°	MATERIAL SEE NOTES	DRAWN R. MAO	DATE 08-Oct-13	TITLE SMP BULLET 9.3 MM LONG	Amphenol RF www.amphenolrf.com
	REFERENCE 5008	ENGINEER M. NAPLES	DATE 17-Aug-11		
NOTICE - These drawings, specifications, or other data (1) are, and remain the property of Amphenol corp. (2) must be returned upon request; and (3) are confidential and not to be disclosed to any person other than those to whom they are given by Amphenol Corp. the furnishing of these drawings, specifications, or other data by Amphenol Corp., or to any other person to anyone for any purpose is not to be regarded by implication or otherwise in any manner licensing, granting rights to permitting such holder or any other person to manufacture, use or sell any product, process or design, patented or otherwise, that may in any way be related to or disclosed by said drawings, specifications, or other data.	CONFIGURATION LEVEL:	APPROVED S. HSIEH	DATE 09-Oct-13	SCALE: 15.0:1.0 SHEET 2 OF 2	ITEM NO. SMP-FSBA-093
	FINISH	CAD FILE	DWG SIZE B	REV A	PART NO. SMP-FSBA-093