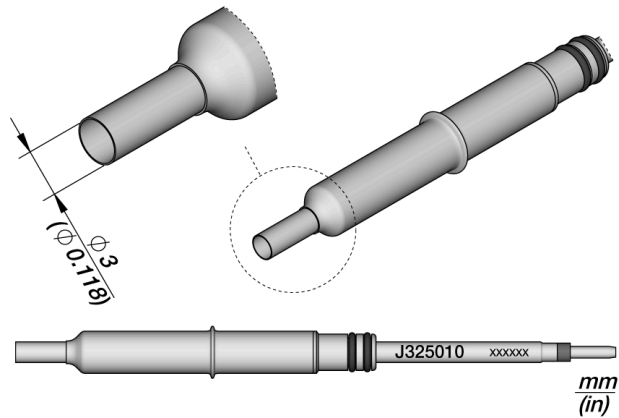


JBC J325010**Straight Cartridge Ø 3 mm**

J325010 Cartridge is perfect to rework the smallest SMDs from 01005 up to SOIC-8.

It works with JNA High-Precision Hot Air Station which allows regulation of both flow and temperature at very low levels.

J325010 has an outlet diameter of Ø 3 mm / 0.118 in.

**REFERENCE****J325010****PRODUCT COMPOSITION**1 [Instruction Manual](#)

Copyright © 2024 JBC Soldering S.L. | [Legal Notice](#) | [Privacy Policy](#) | [Terms and Conditions](#) | [Cookie policy](#) | [Internal Communication](#) | [RSS Feed](#) | [JBC Store](#) | [Contact Us](#)

SPECIFICATIONS**WEIGHT AND DIMENSIONS**

2 gr (0.01 lb)

6 gr (0.01 lb)

130 x 45 x 7 mm

CONNECTABLES

JNA

High-Precision Hot Air Station

Compatible tools

NH-A

High-Precision Heater Hose Set