

1 2 3 4 5 6

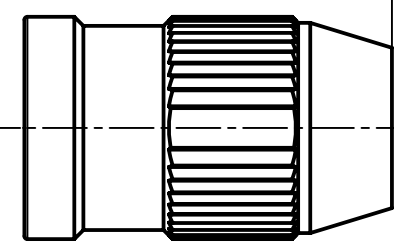
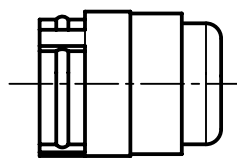
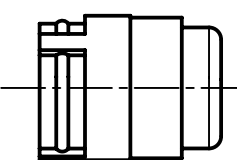
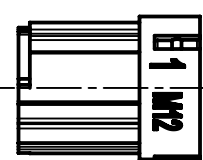
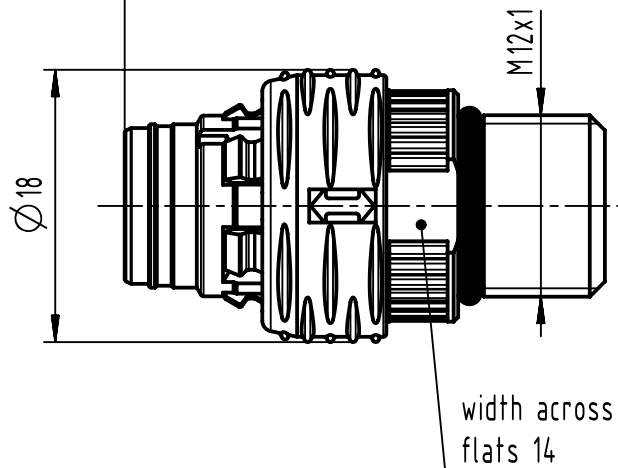
A

B

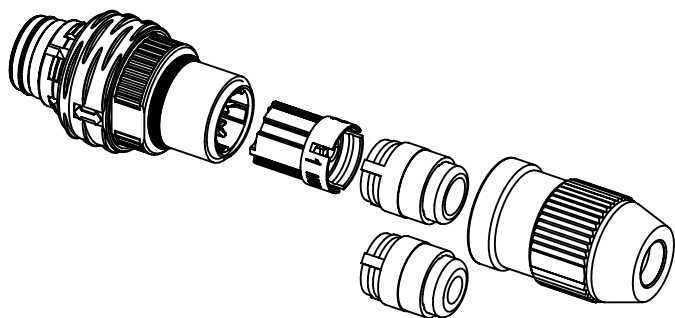
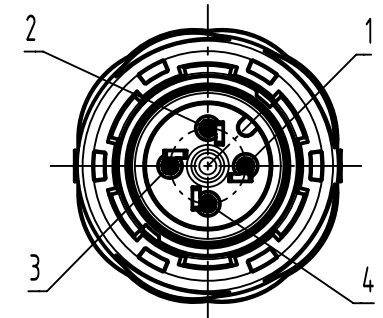
C

D

complete length when assembled app. 46,4mm



contact face based on IEC 61-076-101



cable outside diameter	conductor cross section
2,9mm-5,1mm	AWG 26-22 0,14mm ² -0,34mm ²

	All Dimensions in mm Original Size DIN A4		Scale 2:1	Free size tol.		Ref.
	All rights reserved Department EL PD		Created by HASSE	Inspected by 104.125	Standardisation	Sub.
HARTING D-32339 Espelkamp		Title M12-S-PPI-CC-IDC-4P-ACOD-M-STR			Date 2021-12-06	State Final Release
		Type TB	Number 210311114.15		Doc-Key / ECM-Nr. 100906791/UGD/001/A 500000207464	Rev. A Page 1/1