

CLIFF

PANEL MOUNTING DC SOCKET



This round style DC socket has an M12.7 thread and is available with either Ø2.1mm or Ø2.5mm pin. Supplied with nut.

Part Numbers:

FC681473 - Ø2.1mm pin

FC681474 - Ø2.5mm pin

Specification:

Rated: 12V DC 1A.

Insulation Resistance: $\geq 100M\Omega$ @ 500VDC

Contact Resistance: Pin to contact (T-TS):

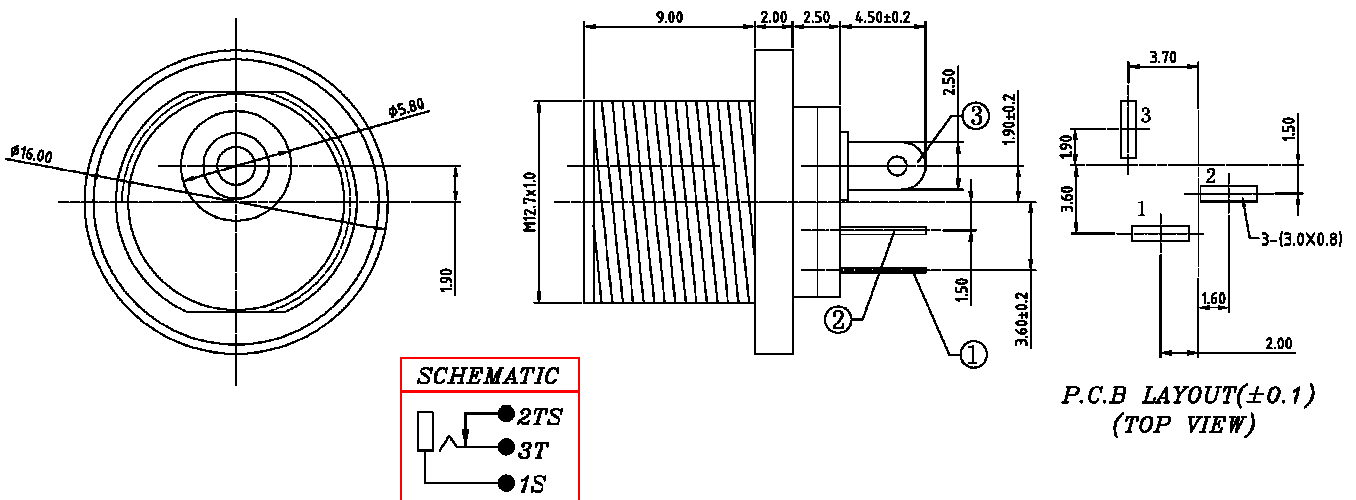
Initial $\leq 30m\Omega$

After life test $\leq 60m\Omega$

Plug shield to socket (t,s)

Initial $\leq 50m\Omega$

After life test $\leq 100m\Omega$



For further information, contact: sales@cliffuk.co.uk

Cliff Electronic Components Limited,

76 Holmethorpe Avenue, Holmethorpe Ind. Estate,
Redhill, Surrey RH1 2PF U.K.

Tel: +44 (0)1737 771375 Fax: +44 (0)1737 766012



Visit us online at:



www.cliffuk.co.uk