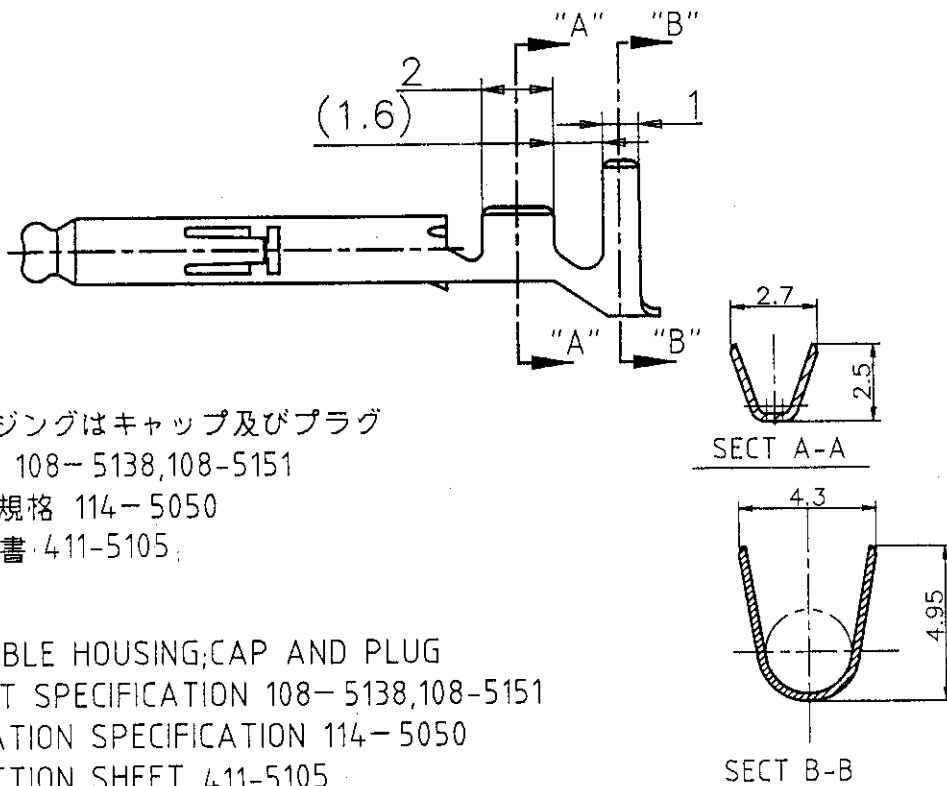
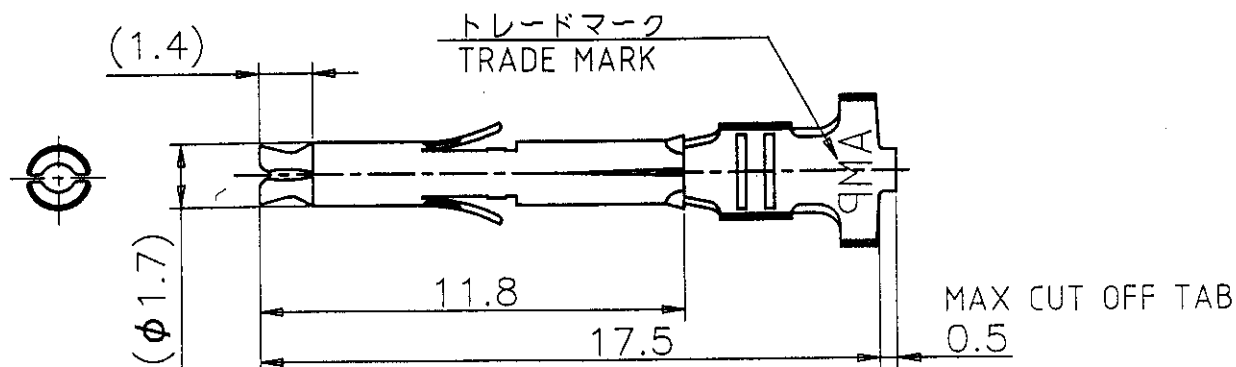


| LOC | | DIST | | REVISIONS | | | |
|-----|-----|---------------------------|--|-----------|-----|------|--|
| P | LTR | DESCRIPTION | | DATE | DWN | APVD | |
| B1 | | REVISED PER ECO-11-005030 | | 22MAR11 | RK | HMR | |



- 注記)
1. 使用ハウジングはキャップ及びプラグ
 - △ 製品規格 108-5138, 108-5151
 - △ 取付適用規格 114-5050
 4. 取扱説明書 411-5105

- NOTES)
1. APPLICABLE HOUSING; CAP AND PLUG
 - △ PRODUCT SPECIFICATION 108-5138, 108-5151
 - △ APPLICATION SPECIFICATION 114-5050
 4. INSTRUCTION SHEET 411-5105

171639-1
型番 (PART NO.)

| | |
|--|---|
| WIRE RANGE 適合電線断面積 0.5-1.3mm ² AWG #20-16 | INSULATION DIA 被覆外径 2.0-3.2mmDia 2.4mmDia x 2 |
| MATERIAL 材料 黄銅 (BRASS): 0.25t | FINISH 仕上 PRE-TIN |
| TE TE Connectivity | |
| NAME 名称 SOCKET (LOOSE PIECE) MINI UNIVERSAL MATE-N-LOK | |
| SIZE 尺貫 A4 | CAGE CODE 番号 00779 |
| DRAWING NO 番号 C=171639 | RESTRICTED TO |
| CUSTOMER DRAWING | SCALE 尺貫 5:1 |
| SHEET 頁数 1 | OF 1 |
| REV 番号 B1 | |

THIS DRAWING IS UNPUBLISHED. ALL RIGHTS RESERVED. © COPYRIGHT

| | |
|--|---|
| DIMENSIONS: 単位 MM | DWN <i>A. Dish</i> 16 FEB 00 |
| TOLERANCES UNLESS OTHERWISE SPECIFIED: 一般公差 | CHK <i>M. S. L.</i> 16 FEB 00 |
| ± 0.3 | APVD <i>M. S. L.</i> 16 FEB 00 |
| ANGLES ± 1° | PRODUCT SPEC 製品規格 表参照 SEE TABLE 2 |
| | APPLICATION SPEC 取付適用規格 表参照 SEE TABLE 3 |

参考図面