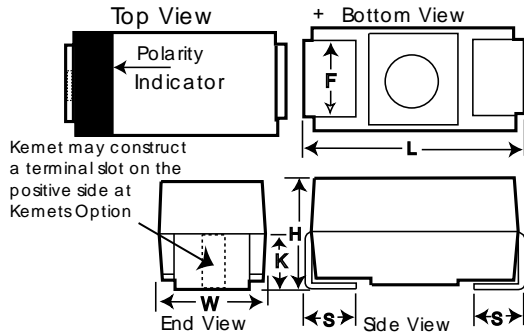


**KEMET Part Number: T495X686K020ZTE200**  
(B45197A4686K509)

Capacitor, tantalum, 68 uF, 7343, +/-10% Tol, 20V@85C



**Dimensions (mm)**

Symbol	Dimension	Tolerance
L	7.3	+/-0.3
W	4.3	+/-0.3
H	4.1	+/-0.3
K	1.8	typ
F	2.4	+/-0.1
S	1.3	+/-0.3

**Notes:**

-In polarity stripe, at KEMET's option, type may be indicated: see catalog for explanation of symbols

-Old part number [Obsolete] was B45197A4686K509

**General Information**

**Manufacturer:** KEMET

**Electrical Specifications**

<b>Capacitance:</b>	68 uF
<b>Voltage DC @ 85C:</b>	20V
<b>Voltage DC @ 105C:</b>	16.5V
<b>Voltage DC @ 125C:</b>	13V
<b>Tolerance:</b>	+/-10%
<b>Application:</b>	General Purpose / Low ESR
<b>Temperature Range:</b>	-55/+125C
<b>Body Type:</b>	Molded Chip
<b>Construction:</b>	Std Chip-MnO2
<b>ESR:</b>	200 mOhm
<b>Footprint:</b>	7343
<b>Termination:</b>	Tin
<b>Leakage Current:</b>	13.6 uA
<b>Dissipation Factor:</b>	6%
<b>Ripple @ 25C:</b>	0.91 A
<b>Ripple @ 85C:</b>	0.819 A
<b>Ripple @ 125C:</b>	0.364 A

**Packaging Specifications**

<b>Package Kind:</b>	T&R
<b>Package Size:</b>	7in
<b>Package Quantity:</b>	400