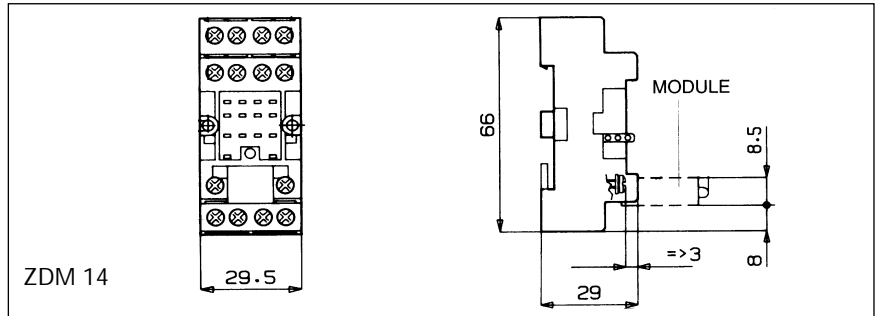
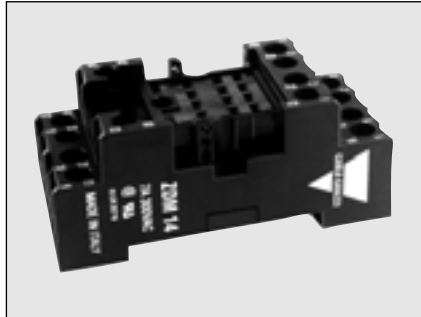


Socket for RMI relays

ZDM 14

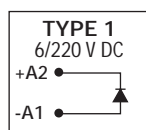
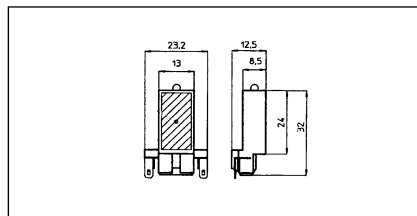
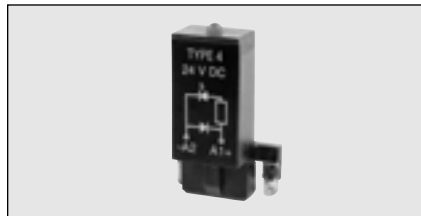


For mounting on DIN-rail (DIN 46277-3) or by two screws on chassis.
Terminal screws

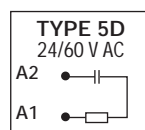
Rated voltage 300 VAC
Rated current 7 A
Insulation voltage > 3 kV
Protection degree IP 20
Socket material Self-extinguishing - PA 6 + GF (V1)
Contacts material Nickel plated - Cu Zn 33
Hold-down spring (on request) Steel - code 6.73.00.57.0
Modules (on request) (see below)
Approvals UL/CSA (7A 300VAC)

Module ZDM

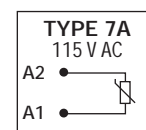
Designed for ZDM 14 sockets



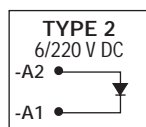
MODULE WITH DIODE:
Overvoltage protection against open coil in DC



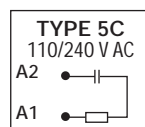
MODULE GROUP "RC" WITHOUT WARNING:
Overvoltage protection against open coil in AC



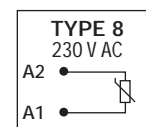
MODULE GROUP "VARISTOR" WITHOUT WARNING: Protection against extern. overvoltage



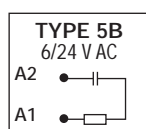
MODULE WITH DIODE:
Overvoltage protection against open coil in DC



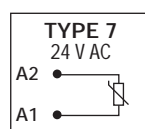
MODULE GROUP "RC" WITHOUT WARNING:
Overvoltage protection against open coil in AC



MODULE GROUP "VARISTOR" WITHOUT WARNING: Protection against extern. overvoltage



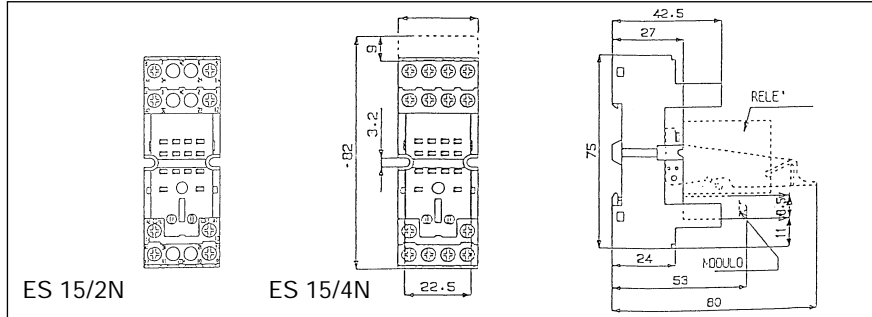
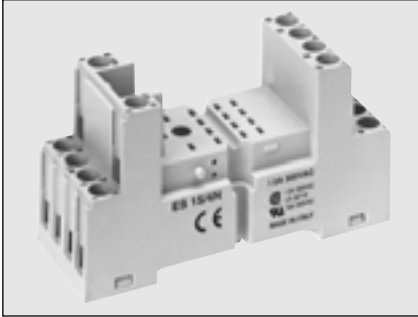
MODULE GROUP "RC" WITHOUT WARNING:
Overvoltage protection against open coil in AC



MODULE GROUP "VARISTOR" WITHOUT WARNING: Protection against extern. overvoltage

Socket for RMI relays

ES 15/2N - ES 15/4N

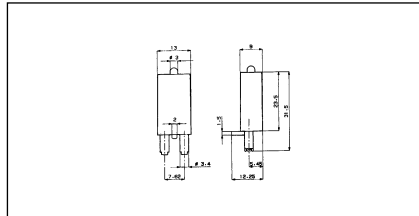
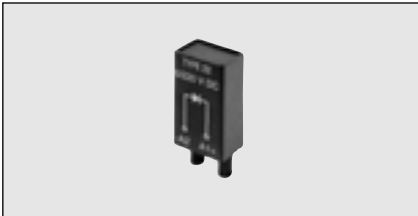


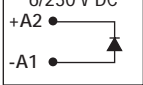
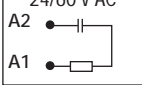
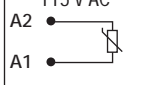
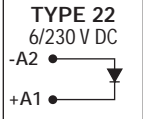
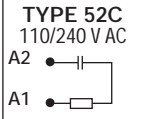
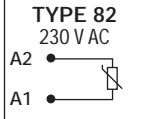
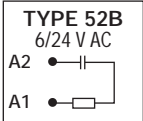
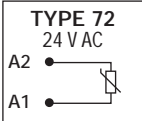
For mounting on DIN-rail (DIN 46277-3)
or by two screws on chassis.
Terminal screws

Rated voltage	300 VAC
Rated current	12 A
Insulation voltage	> 4 kV
Protection degree	IP 20B
Socket material	Self-extinguishing - PA 6 + FV (V2)
Contacts material	Nickel plated - Cu Zn 33
Hold-down spring (on request)	Steel - code 6.73.00.61.4
Label	Code 6.73.00.61.3
Modules (on request)	(see below)
Approvals	CSA (12A 300VAC) UL (12A 150VAC - 10A 300AC)

Module ES

Designed for ES 15 sockets



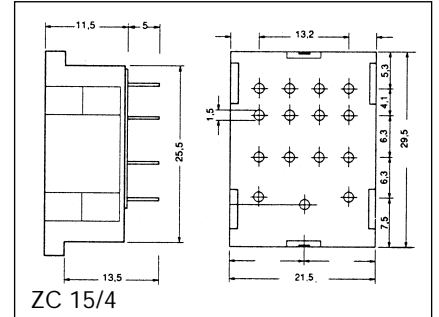
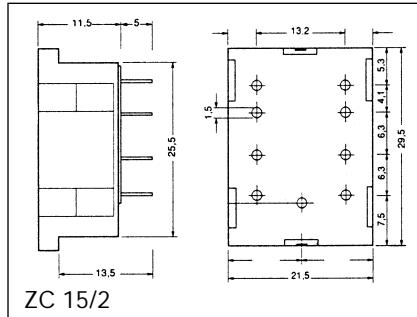
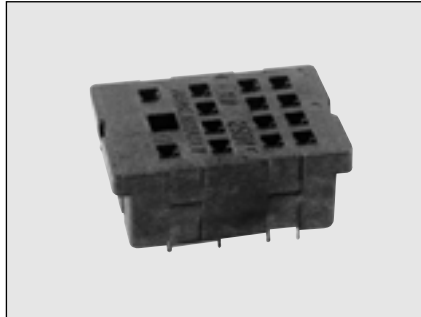
<p>TYPE 12 6/230 V DC</p> 	<p>MODULE WITH DIODE: Overvoltage protection against open coil in DC</p>	<p>TYPE 52D 24/60 V AC</p> 	<p>MODULE GROUP "RC" WITHOUT WARNING: Overvoltage protection against open coil in AC</p>	<p>TYPE 72A 115 V AC</p> 	<p>MODULE GROUP "VARISTOR" WITHOUT WARNING: Protection against extern. overvoltage</p>
<p>TYPE 22 6/230 V DC</p> 	<p>MODULE WITH DIODE: Overvoltage protection against open coil in DC</p>	<p>TYPE 52C 110/240 V AC</p> 	<p>MODULE GROUP "RC" WITHOUT WARNING: Overvoltage protection against open coil in AC</p>	<p>TYPE 82 230 V AC</p> 	<p>MODULE GROUP "VARISTOR" WITHOUT WARNING: Protection against extern. overvoltage</p>
<p>TYPE 52B 6/24 V AC</p> 	<p>MODULE GROUP "RC" WITHOUT WARNING: Overvoltage protection against open coil in AC</p>	<p>TYPE 72 24 V AC</p> 	<p>MODULE GROUP "VARISTOR" WITHOUT WARNING: Protection against extern. overvoltage</p>		

Accessories for Relays



Socket for RMI relays

ZC 15-2 / ZC 15-4



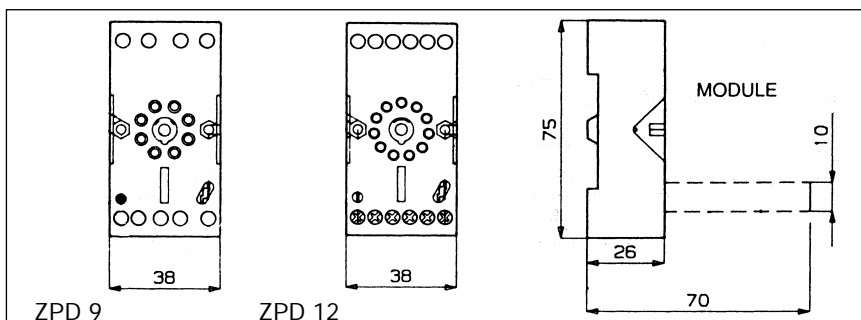
For mounting on printed circuit boards
For RMI 002 / 004 relays

Rating
Dielectric strength
Socket material
Contacts material
Hold down spring (on request)

10 A/250 VAC
1500 VAC
Noryl GFN2 SE1 self-extinguishing
Tin plated Cu Sn 6
code 6.73.00.58.0

Socket for RCP relays

ZPD 9 / ZPD 12

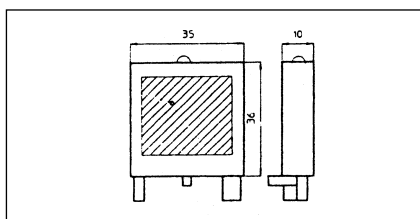
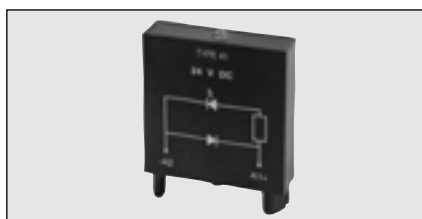


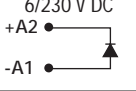
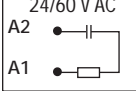
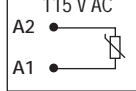
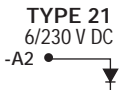
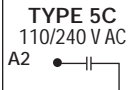
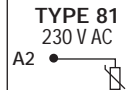
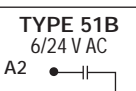
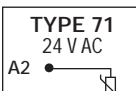
For mounting on DIN-rail
(DIN 46277-3)

Rated voltage	400 VAC
Rated current	12 A
Insulation voltage	> 3 kV
Protection degree	IP 20
Socket material	Self-extinguishing - PA 6 + GF (V1)
Contacts material	Nickel plated - Cu Zn 33
Hold-down spring (on request)	Steel - code 6.73.00.37.0
Modules (on request)	(see below)
Approvals	UL/CSA (12A 300VAC)

Module ZPD 9/12

Designed for ZPD 9 / ZPD 12 sockets



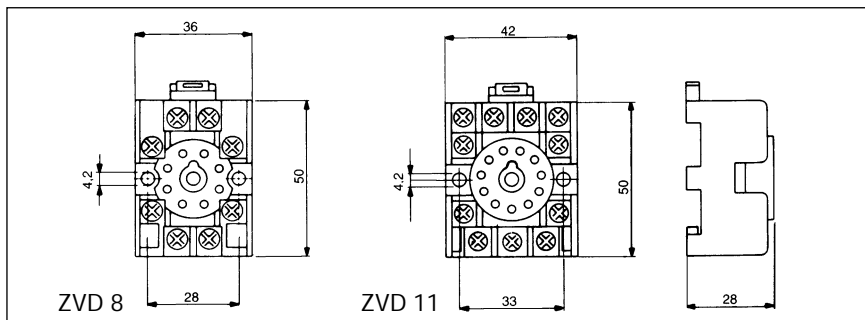
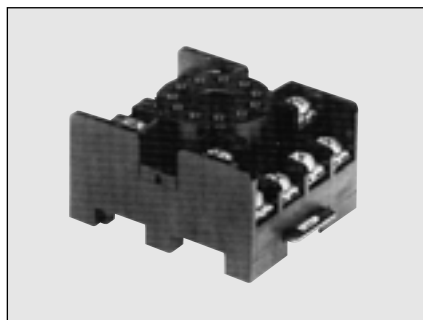
<p>TYPE 11 6/230 V DC</p> 	<p>MODULE WITH DIODE: Overvoltage protection against open coil in DC</p>	<p>TYPE 51D 24/60 V AC</p> 	<p>MODULE GROUP "RC" WITHOUT WARNING: Overvoltage protection against open coil in AC</p>	<p>TYPE 71A 115 V AC</p> 	<p>MODULE GROUP "VARISTOR" WITHOUT WARNING: Protection against extern. overvoltage</p>
<p>TYPE 21 6/230 V DC</p> 	<p>MODULE WITH DIODE: Overvoltage protection against open coil in DC</p>	<p>TYPE 5C 110/240 V AC</p> 	<p>MODULE GROUP "RC" WITHOUT WARNING: Overvoltage protection against open coil in AC</p>	<p>TYPE 81 230 V AC</p> 	<p>MODULE GROUP "VARISTOR" WITHOUT WARNING: Protection against extern. overvoltage</p>
<p>TYPE 51B 6/24 V AC</p> 	<p>MODULE GROUP "RC" WITHOUT WARNING: Overvoltage protection against open coil in AC</p>	<p>TYPE 71 24 V AC</p> 	<p>MODULE GROUP "VARISTOR" WITHOUT WARNING: Protection against extern. overvoltage</p>		

Accessories for Relays



Sockets for RF / RB / RCP relays

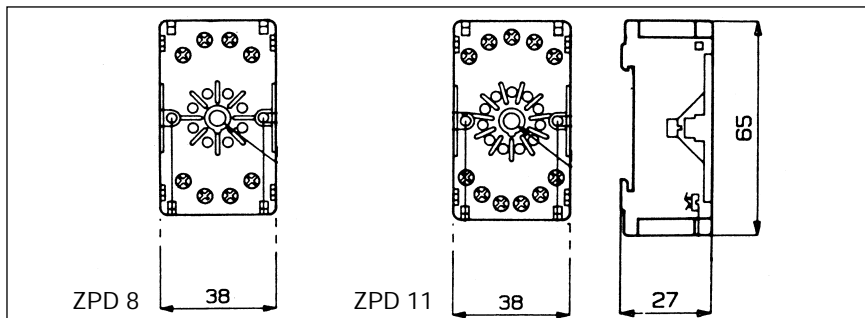
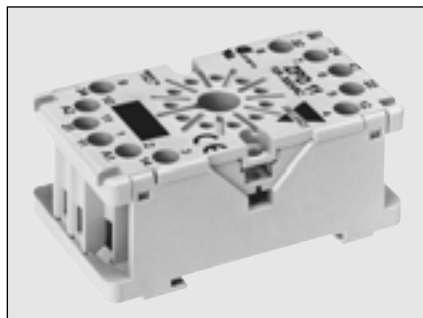
ZVD 8 / ZVD 11



Socket for mounting DIN-rail
(DIN 46277-3)

Rated voltage	380 VAC
Rated current	10 A
Insulation voltage	> 2.5 kV
Protection degree	IP 10
Contacts material	Cu Zn 37
Hold down spring (on request)	Steel - code 6.73.00.37.0

ZPD 8 / ZPD 11



Socket for mounting DIN-rail
(DIN 46277-3)

Rated voltage	400 VAC
Rated current	10 A
Insulation voltage	> 3 kV
Protection degree	IP 20
Socket material	Self-extinguishing - PA6+GF (V1)
Contacts material	Nickel plated Cu Zn 33
Hold down spring (on request)	Steel - code 6.73.00.37.0
Approvals	UL/CSA (10A 300VAC)

