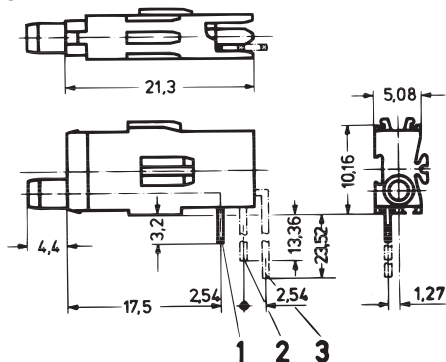


Front panel component system

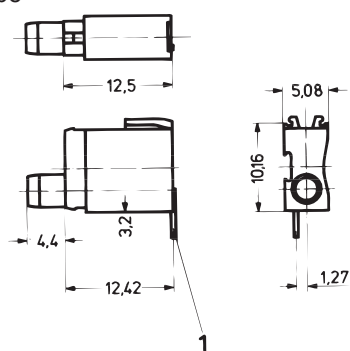
Test socket, Ø 2 mm

Long type



1, 2, 3 = mounting plane

Short type



1 = mounting plane

A3-199b

KA943

- Long type for mounting plane 1, 2 and 3
- Short type for mounting plane 1

Order Information

| For application in | 1 | 2 | 3 |
|--------------------|-----------|-----------|-----------|
| | Part no. | Part no. | Part no. |
| Long type | 69004-086 | 69004-087 | 69004-088 |
| Short type | 69004-130 | - | - |

Delivery is exclusively in Standard Pack Quantity (SPQ): Please order at least 10 pieces or a multiple. Pricing is per individual item.

Note

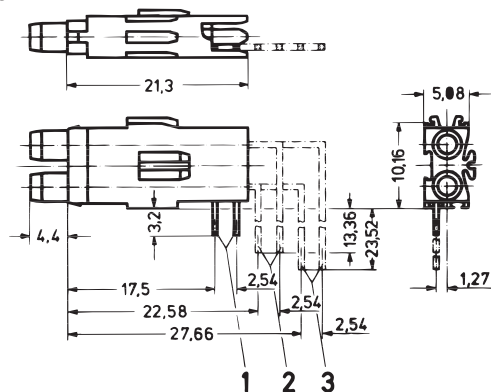
- Dimensions of connecting pins: 0.3 × 0.6 mm
- Required front panel drill hole: Ø 4 mm
- Technical data see page 11.20



For further information www.schroff.biz/oneclick
oneClick search code = Part no.

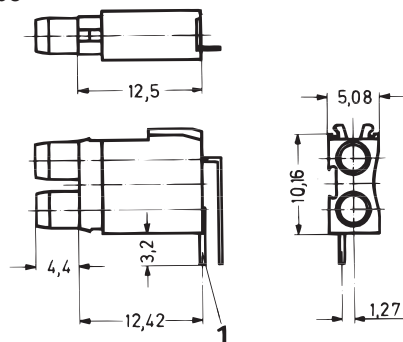
Double test socket, Ø 2 mm

Long type



1, 2, 3 = mounting plane

Short type



1 = mounting plane

05009050

05009051

- Long type for mounting plane 1, 2 and 3
- Short type for mounting plane 1

Order Information

| For application in | 1 | 2 | 3 |
|--------------------|-----------|-----------|-----------|
| | Part no. | Part no. | Part no. |
| Long type | 69004-089 | 69004-090 | 69004-091 |
| Short type | 69004-131 | - | - |

Delivery is exclusively in Standard Pack Quantity (SPQ): Please order at least 10 pieces or a multiple. Pricing is per individual item.

Note

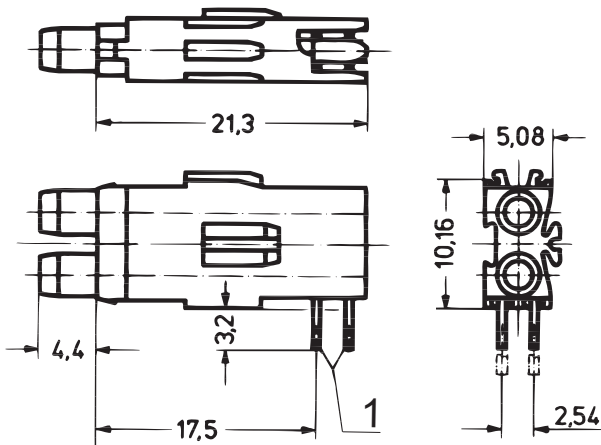
- Dimensions of connecting pins: 0.3 × 0.6 mm
- Required front panel drill hole: Ø 4 mm
- Technical data see page 11.20



For further information www.schroff.biz/oneclick
oneClick search code = Part no.

Front panel component system

Double make-break socket, \varnothing 2 mm



1 = mounting plane

A3-200

- Long type for mounting plane 1
- Gold-plated contacts
- Can also be used as test socket

Order Information

| For application in | Part no. |
|--------------------|-----------|
| Long type | 69004-095 |

Delivery is exclusively in Standard Pack Quantity (SPQ): Please order at least 10 pieces or a multiple. Pricing is per individual item.

Note

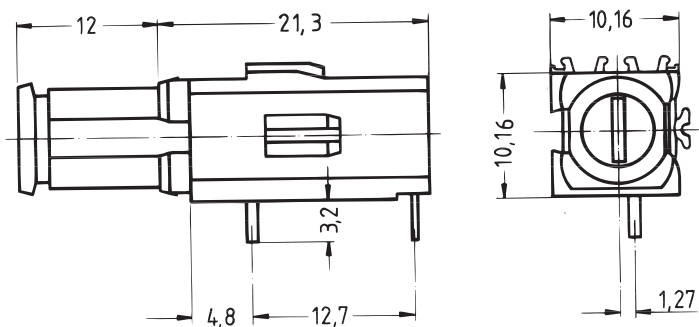
- Dimensions of connecting pins: 0.3×0.6 mm
- Required front panel drill hole: \varnothing 4 mm
- Technical data see page 11.20



For further information www.schroff.biz/oneclick
oneClick search code = Part no.

Front panel component system

Fuse holder



- Long type for mounting plane 1
- For glass fuse inserts 5 x 20 mm to DIN 41 571, 250 V_{AC}, 6.3 A
- Contacts silver-plated

Order Information

| Description | Part no. |
|-------------|-----------|
| Long type | 69004-098 |

Delivery is exclusively in Standard Pack Quantity (SPQ): Please order at least 10 pieces or a multiple. Pricing is per individual item.

Note

- Dimensions of connecting pins: 0.7 × 0.6 mm
- Required front panel drill hole: Ø 9 mm



For further information www.schroff.biz/oneclick
oneClick search code = Part no.

Technical data for test sockets, fuse holders

| | Test socket/make-break socket | Double test socket/ double make-break socket | Fuse holder |
|-----------------------|--|---|---------------------------------|
| Operating voltage | ≤ 60 V _{DC/AC} | ≤ 30 V _{AC} | ≤ 250 V _{AC} |
| Operating current | ≤ 1 A | ≤ 1 A | ≤ 6.3 A |
| Test voltage | 1 kV/50 Hz | 1 kV/50 Hz | – |
| Temperature range | –25 ... +70 °C | –25 ... +70 °C | –25 ... +70 °C |
| Solder temperature | 260 °C/max. 5 sec (processing advice for wave soldering: protect plastic body against solder wave) | | |
| Contact material | Copper alloy | Copper alloy | Copper alloy |
| Contact surface | Selectively gold-plated | Selectively gold-plated | Silver-plated |
| Insulating body | PBT (Crastin) | PBT (Crastin) | PBT (Crastin) |
| Climatic use category | HSF ¹⁾ to DIN 40 040 | HSF ¹⁾ to DIN 40 040 | HSF ¹⁾ to DIN 40 040 |
| Flammability | UL 94 V-0 | UL 94 V-0 | UL 94 V-0 |

¹⁾ H = –25 °C; S = +70 °C; F = 75 % air humidity, no condensation