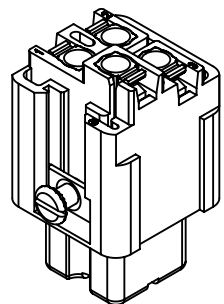
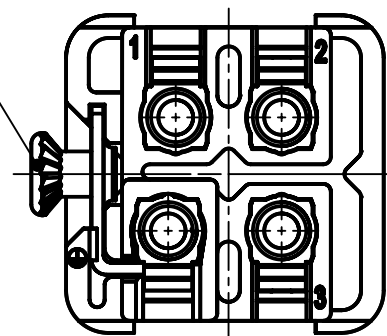
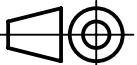



insert fixing screw M3x6  
separately enclosed



 All Dimensions in mm Original Size DIN A4	Scale	Free size tol.			Ref.
	2:1				Sub.
 All rights reserved Department EL PD - DE	Created by	Inspected by	Standardisation	Date	State
	ILJIN	FERDERERA	SCHMIDTM	2014-04-10	Final Release
HARTING Electric GmbH & Co. KG D-32339 Espelkamp	Title Han 3A female insert Quick-Lock 1,5mm <sup>2</sup>				Doc-Key / ECM-Nr. 100216034/UGD/002/B 500000072949
	Type	Number			Rev.
TB	09 20 003 2734			B	1/1