

GN 612.2 | Lever indexing plungers

Rest position, steel



- 1
- 2
- 3
- 4
- 5
- 6
- 7
- 8
- 9
- 10
- 11
- 12
- 13
- 14
- 15
- 16
- 17
- 18

BODY

Black-oxide steel.

PLUNGER

Nitrided steel.

Suggested tolerance for matching hole = H7.

LEVER

Black-oxide steel.

LEVER COVER

High-resilience polyamide based (PA) technopolymer, black colour, matte finish.

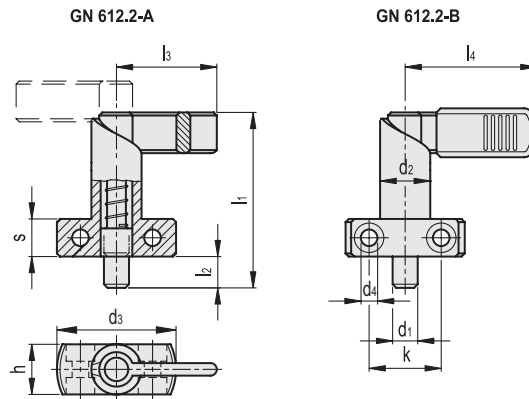
STANDARD EXECUTIONS

- **GN 612.2-A:** without lever cover.

- **GN 612.2-B:** with lever cover.

FEATURES AND APPLICATIONS

GN 612.2 indexing plungers are used when the plunger must be retracted quickly.



GN 612.2-A

Code	Description	d1 Plunger -0.05 Hole H7	d2	d3	d4	h	k	l1	l2	l3	s	Spring preload [N]	Spring max load [N]	Δ
GN.34431	GN 612.2-6-16-A	6	16	35	5.5	16	20	56	10	32	12	12	32	82
GN.34436	GN 612.2-8-16-A	8	16	35	5.5	16	20	56	10	32	12	12	32	84
GN.34441	GN 612.2-8-20-A	8	20	40	5.5	20	22	69	12	37	15	21	58	167
GN.34446	GN 612.2-10-16-A	10	16	35	5.5	16	20	56	10	32	12	12	32	86
GN.34451	GN 612.2-10-20-A	10	20	40	5.5	20	22	69	12	37	15	21	58	169
GN.34456	GN 612.2-12-20-A	12	20	40	5.5	20	22	69	12	37	15	21	58	170

GN 612.2-B

Code	Description	d1 Plunger -0.05 Hole H7	d2	d3	d4	h	k	l1	l2	l4	s	Spring preload [N]	Spring max load [N]	Δ
GN.34432	GN 612.2-6-16-B	6	16	35	5.5	16	20	56	10	42	12	12	32	85
GN.34437	GN 612.2-8-16-B	8	16	35	5.5	16	20	56	10	42	12	12	32	86
GN.34442	GN 612.2-8-20-B	8	20	40	5.5	20	22	69	12	52	15	21	58	170
GN.34447	GN 612.2-10-16-B	10	16	35	5.5	16	20	56	10	42	12	12	32	90
GN.34452	GN 612.2-10-20-B	10	20	40	5.5	20	22	69	12	52	15	21	58	173
GN.34457	GN 612.2-12-20-B	12	20	40	5.5	20	22	69	12	52	15	21	58	180

Indexing and positioning elements