

200 x 90 x 30 cm*

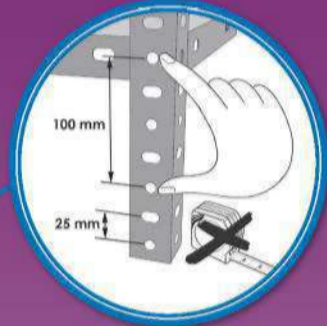
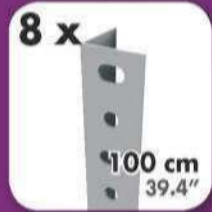
78.7" x 35.4" x 11.8"

ADVANTAGE 6/300

5 Años Garantía
Years Guarantee
Jahre Garantie
Ans Garantie
Anos de Garantía
SIMONRACK



**450 kg
(1000 lb)
Total**



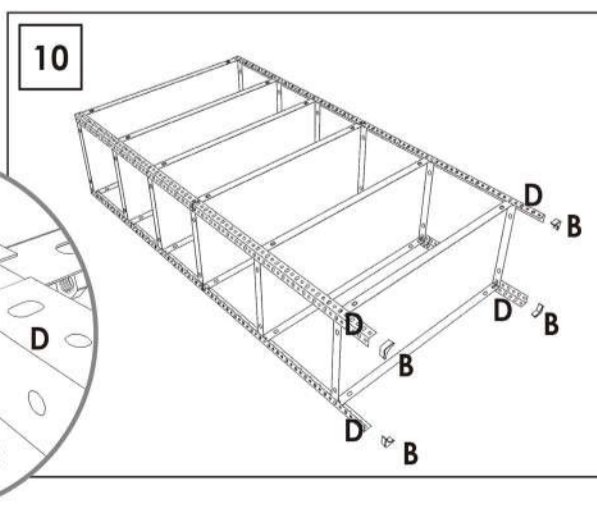
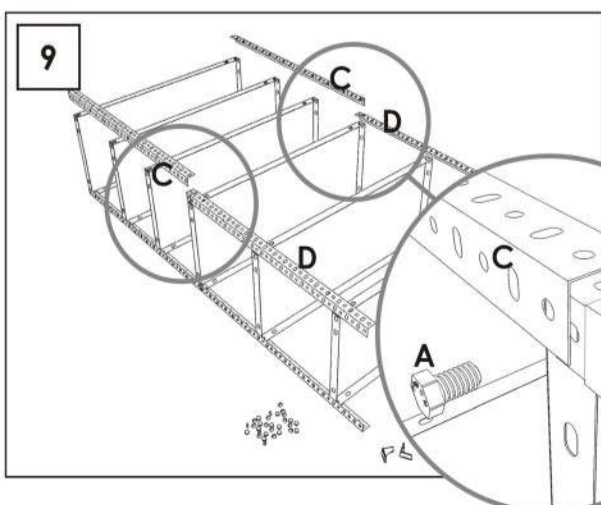
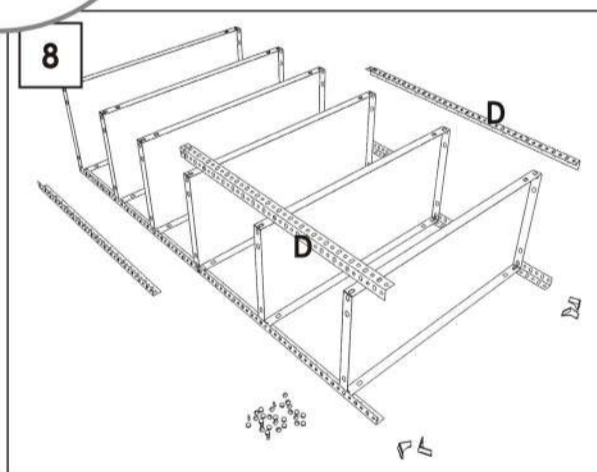
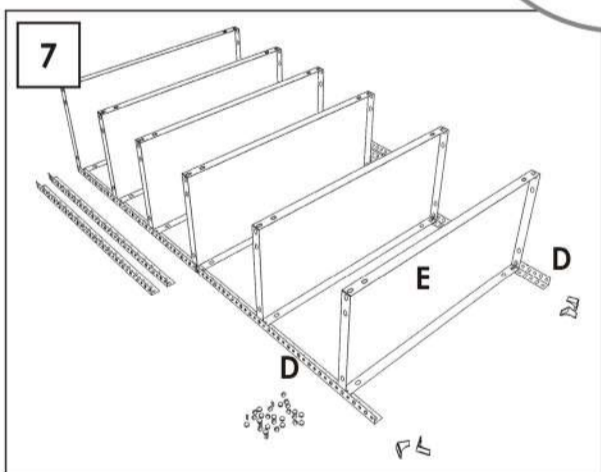
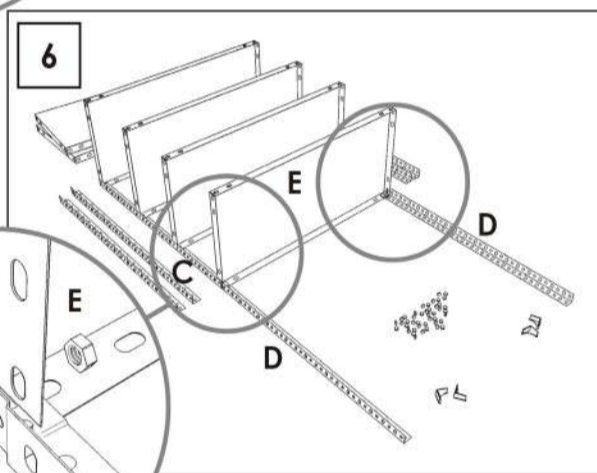
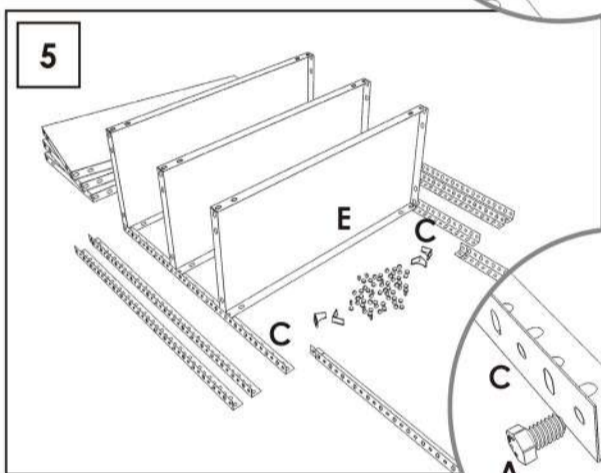
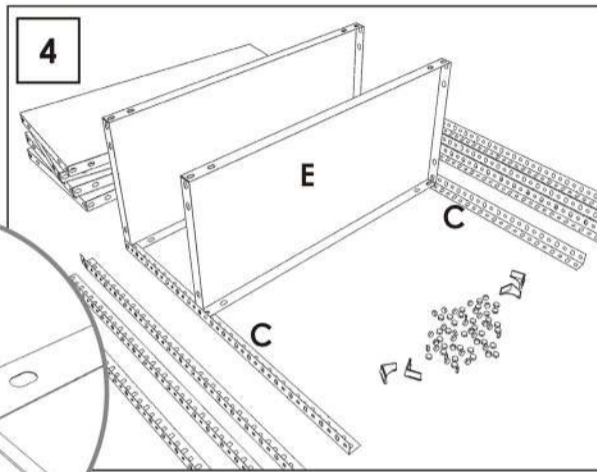
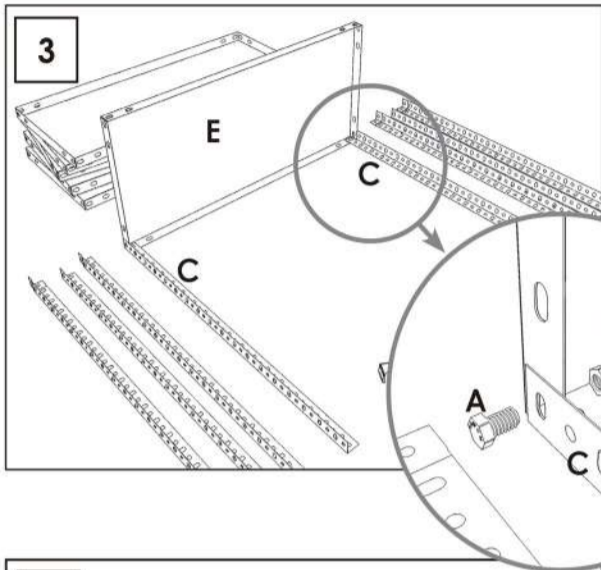
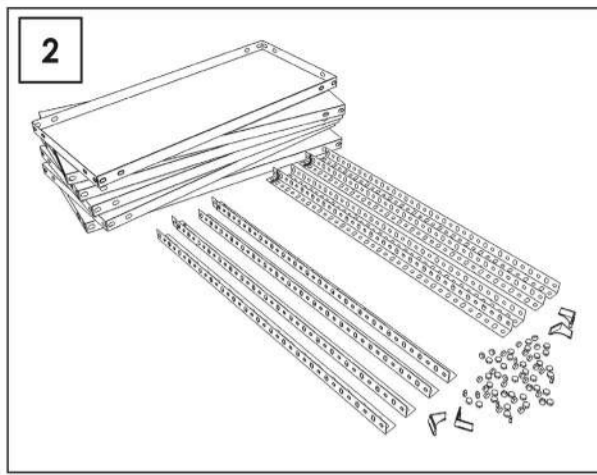
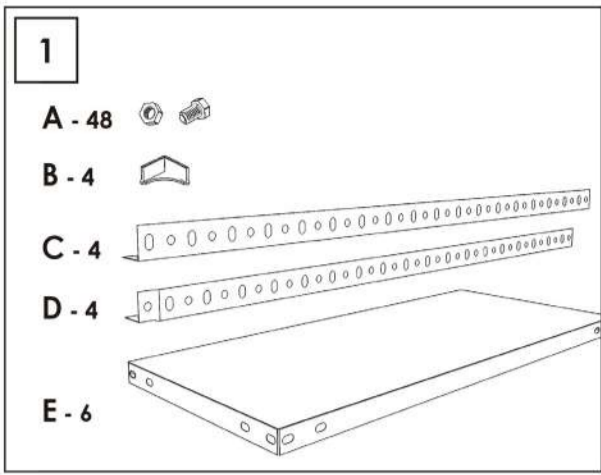
ESTANTERIAS SIMON S.L. B.50.556.463
PG. ALFAMEN C/ POLIGONO C, N°3
ALFAMEN (ZARAGOZA)



www.simonrack.com



INSTRUCTIONS



SIMONCLASSIC



SIMONCLICK



OFFCLICK



SIMONFORTE



SIMONCROMO



SIMONINOX



SIMONTITÁN



SIMONLEVER



SIMONPALET



www.simonrack.com • www.simonrack.com • www.simonrack.com • www.simonrack.com • www.simonrack.com • www.simonrack.com • www.simonrack.com • www.simonrack.com • www.simonrack.com • www.simonrack.com