

Tango 30

Wireless LAN and Bluetooth Miniature bolt-through Antenna



Key Features

- Wireless LAN and Bluetooth frequencies
- Compact 20.5mm height
- IPEX connector
- Wide operating temperature range

General Description

The Tango 30 is a compact panel mount antenna, with the benefit of being semi-covert in nature due to its size.

The Tango 30 is commonly used with WiFi, Bluetooth and Zigbee applications where a case or cabinet is used.

This antenna is supplied with the IPEX connector but can be terminated with other connector types for volume orders. Connectors larger than the antenna will require a slotted panel cutout the size of the cable diameter.

Additional Considerations

- Ensures antenna can be discretely mounted
- Does not rely on mounting on metallic surface
- WiFi, Bluetooth and ZigBee compatible
- Omnidirectional radiation

Tango 30

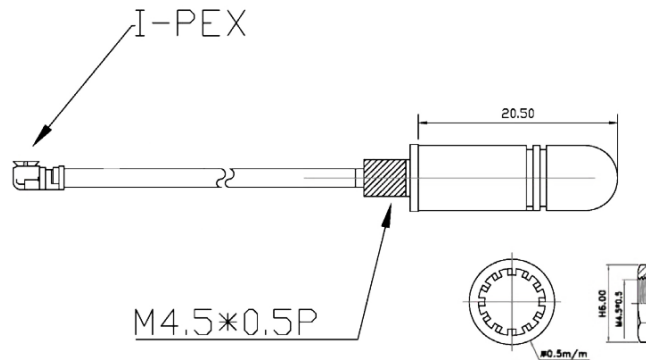
Wireless LAN and Bluetooth Miniature bolt-through Antenna

Electrical Specification

Impedance:	50 ohm
Gain:	0dBi
VSWR:	<2
Frequency:	2.4GHz (2.4-2.5GHz)
Electric wave:	1/4 monopole antenna

Mechanical Specification

Dimensions:	20.5mm Length, 7.9mm Ø
Connector:	IPEX
Cable:	1.13mm Ø
Mounting method:	M4.5 with 5mm stud length

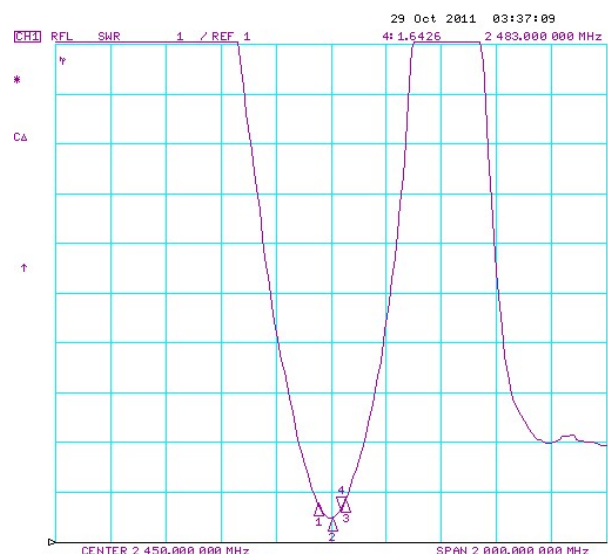


Test Data

VSWR



Return Loss

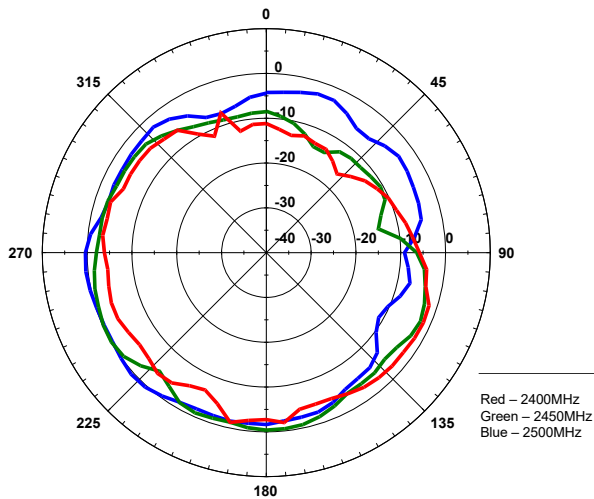


Tango 30

Wireless LAN and Bluetooth Miniature bolt-through Antenna

Radiation Patterns

XY Plane



Ordering Details

Part Number	Description
TANGO30/0.1M/IPEX/S/S/35	Wireless LAN and Bluetooth Miniature bolt-through Antenna, IPEX