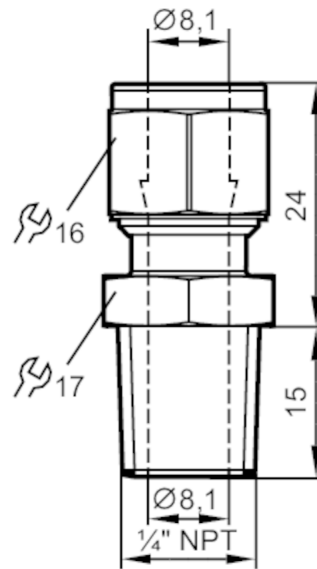


E40262



Progressive ring fitting

COMPRESSION FITTING 1/4 NPT



CRN

Application	
Pressure rating [bar]	50
MAWP (for applications according to CRN) [bar]	50
Mechanical data	
Weight [g]	38.5
Materials	stainless steel (1.4404 / 316L)
Sensor connection	Ø 8 mm
Process connection	1/4 NPT
Remarks	
Pack quantity	1 pcs.