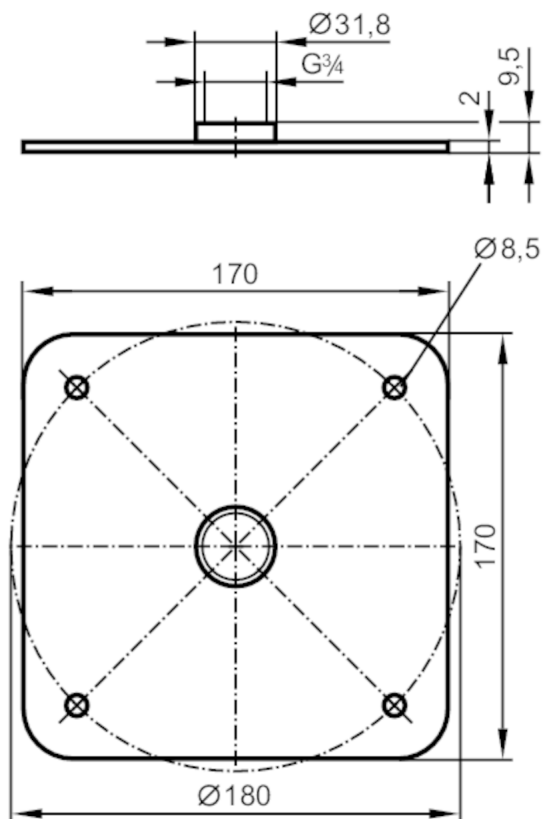


E43380



Coupling plate for level sensors

LAUNCHING PLATE G3/4



Application	
Design	for level sensors LR
Tank pressure [bar]	-1...16
Mechanical data	
Weight [g]	609.1
Materials	stainless steel (1.4571/316Ti)
Tightening torque [Nm]	6...9
Process connection	G 3/4
Remarks	
Pack quantity	1 pcs.