

**EMC SUPPRESSOR FOR MOTOR**

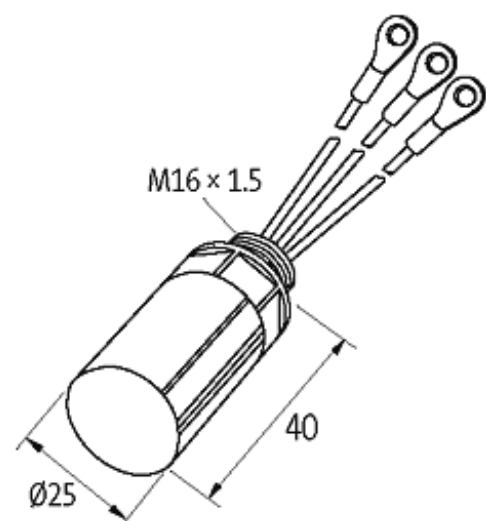
RC 3 R-575/4, M16x1,5/ AWG 20/VDR"

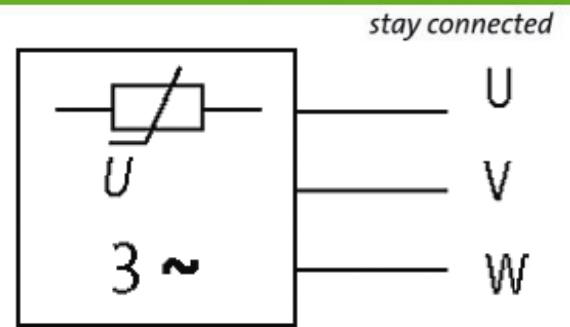
3 × 575 V AC

VDR

M16 × 1.5 mm

Suppressors for other voltages, frequencies, and motor ratings available on request. Do not use RC motor suppressors with frequency inverters.

[Link to Product](#)**Illustration**



VDR

Product may differ from Image

### Technical Data

Material	Flame retardant plastic acc. to (UL 94)
Potting compound	2-component epoxy
Ring terminals	isolated M4

### General data

Temperature range	-20...+60 °C
Connection	approx. 130 mm, single cores 0.5 mm <sup>2</sup> , with ring terminals M4
Dimensions H × W × D	25×25×40 mm

### Commercial data

country of origin	CZ
customs tariff number	85363010
minimum order quantity	10