



Model Number

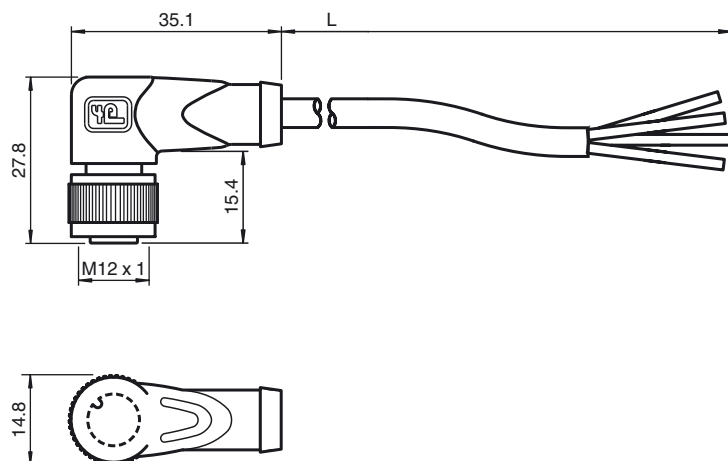
V1-W-N4-10M-PVC

Female cordset, M12, 4-pin, NAMUR, PVC cable

Features

- Suitable for NAMUR technology
- Blue body and sheathing
- Knurled nut suitable for tool assembly
- Immunity to vibration, with mechanical latching
- Gold-plated and machined contacts
- Protection degree IP67 / IP68 / IP69K

Dimensions



Technical data

General specifications

| | |
|---------------------|-------------|
| Number of pins | 4 |
| Connection 1 | socket |
| Construction type 1 | right angle |
| Threading 1 | M12 |
| Connection 2 | cable end |

Electrical specifications

| | | |
|-------------------|-------|----------------------------|
| Operating voltage | U_B | max. 250 V DC |
| Test voltage | | > 1500 V _{eff} AC |
| Operating current | | max. 4 A |
| Volume resistance | | < 5 mΩ |

Ambient conditions

| | |
|---------------------|--|
| Ambient temperature | -25 ... 100 °C (-13 ... 212 °F) for temperatures over 80 °C (176 °F) reduced elongation at tear |
| Pollution Degree | 3 |

Mechanical specifications

| | |
|-------------------|------------------------------|
| Contact elements | spring-loaded contact socket |
| Protection degree | IP67 / IP68 / IP69K |

Material

| | |
|------------------------|-------------------------------|
| Contacts | CuSn / Au |
| Contact surface | Au |
| Body | TPU, blue |
| Cable | PVC |
| Slotted nut | Diecast zinc |
| Core insulation | PVC |
| Cable | fine-strand, flexible |
| Sheath diameter | Ø4.8 mm |
| Bending radius | > 10 x cable diameter, moving |
| Color | blue |
| Cores | 4 x 0.34 mm ² |
| Conductor construction | 19 x 0.15 mm Ø |
| Length | L 10 m |

Flammability

| | |
|------------------|--------|
| Contact material | 94 HB |
| Housing | 94 V-2 |

Electrical connection

