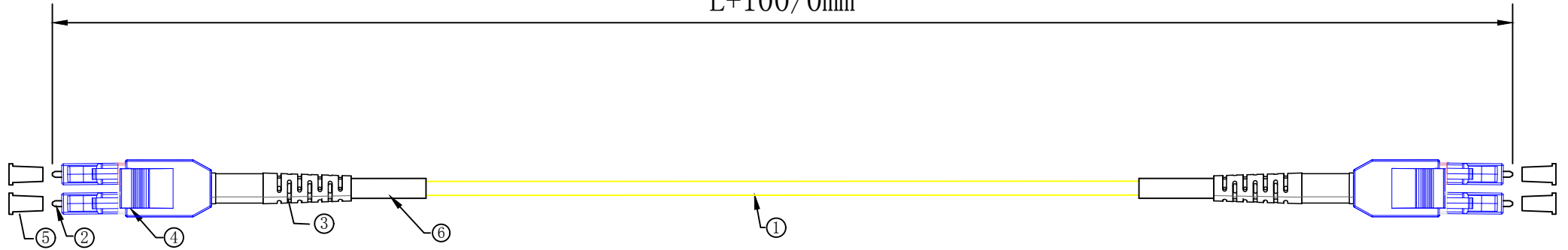


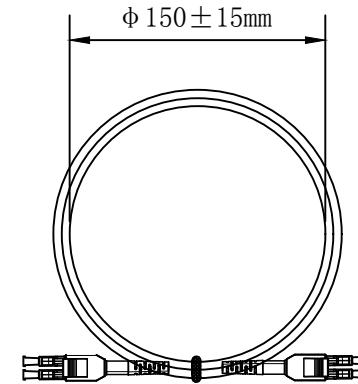
L+100/0mm



Note:

1. Polarity: Crossover A-B, B-A.
2. Grade Designation: Each to Reference
3. ROHS 2.0 (EU)/2015/863 and REACH 191 Compliant
4. OD: 3.0mm+0/-0.2mm

Type	Single-Mode
Insertion Loss	$\leq 0.3\text{dB}$ (IEC 61300-3-4)
Return Loss	$\geq 50\text{dB}$
Test Wavelength	1310nm



MATERIAL LIST:

Packing : polybag+label+test report

⑥	Heat Shrink Tube White	2pcs	
⑤	LC Dust Cap White	4pcs	
④	LC Uniboot Connector Blue(Beige, Erika violet)	4pcs	
③	LC Uniboot White Boot	2pcs	
②	LC SM Ferrule Ceramic	4pcs	
①	Fiber Optical Cable $\phi 3.0\text{mm}$ OS2 G657.A2 9/125um Yellow LSZH (one tube with 2 fiber)	L+0.1m	
NO.	SPECIFICATION STANDARD	QT' Y	REMARK
Fan	NEW	2021-07-09	AO
BY	REVISION RECORD MODIFICATIONS	DATE	REV.

ITEM NO.	DESC.
21. 15. 8780	ROLINE Cable LC-LC, uniboot, OS2, 9/125 μm , yellow, OD:3.0MM, 0.5m
21. 15. 8781	ROLINE Cable LC-LC, uniboot, OS2, 9/125 μm , yellow, OD:3.0MM, 1m
21. 15. 8782	ROLINE Cable LC-LC, uniboot, OS2, 9/125 μm , yellow, OD:3.0MM, 2m
21. 15. 8783	ROLINE Cable LC-LC, uniboot, OS2, 9/125 μm , yellow, OD:3.0MM, 3m
21. 15. 8785	ROLINE Cable LC-LC, uniboot, OS2, 9/125 μm , yellow, OD:3.0MM, 5m
21. 15. 8784	ROLINE Cable LC-LC, uniboot, OS2, 9/125 μm , yellow, OD:3.0MM, 7m
21. 15. 8789	ROLINE Cable LC-LC, uniboot, OS2, 9/125 μm , yellow, OD:3.0MM, 10m
21. 15. 8786	ROLINE Cable LC-LC, uniboot, OS2, 9/125 μm , yellow, OD:3.0MM, 15m
21. 15. 8787	ROLINE Cable LC-LC, uniboot, OS2, 9/125 μm , yellow, OD:3.0MM, 20m

SECOMP