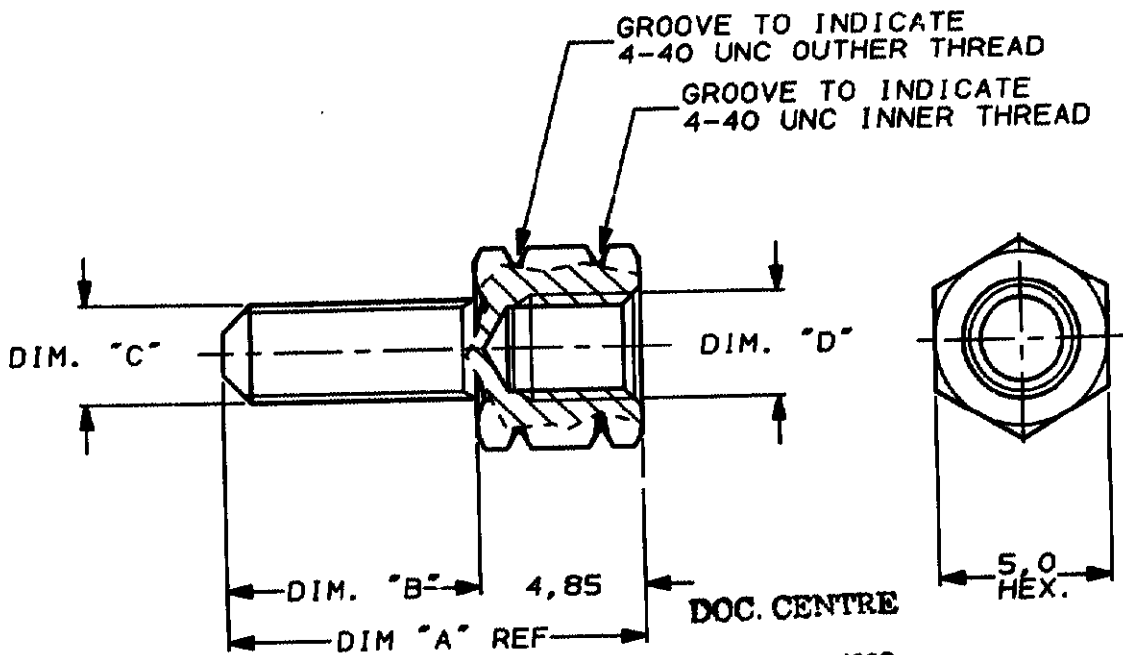


DO NOT SCALE

DIMENSIONS IN mm

METRIC

THIRD ANGLE
PROJECTION



14 JAN. 1993

4-40 UNC	4-40 UNC	6,0	10,85	TINPLATED	BRASS	3-829261-0
M3	4-40 UNC	5,0	9,85			2-829261-8
4-40 UNC	M3	5,0	9,85			2-829261-6
M3	M3	5,0	9,85			2-829261-4
4-40 UNC	4-40 UNC	5,0	9,85			2-829261-2
M3	4-40 UNC	14,2	19,05			1-829261-8
4-40 UNC	M3	14,2	19,05			1-829261-6
M3	M3	14,2	19,05			1-829261-4
4-40 UNC	4-40 UNC	14,2	19,05			1-829261-2
M3	4-40 UNC	7,9	12,75			829261-8
4-40 UNC	M3	7,9	12,75			829261-6
M3	M3	7,9	12,75			829261-4
4-40 UNC	4-40 UNC	7,9	12,75			829261-2
DIM "D"	DIM "C"	DIM "B"	DIM "A"			FINISH
-	-	-	-	CUSTOMER DRAWING FOR REFERENCE ONLY WILL NOT BE UPDATED		
-	-	-	-	© COPYRIGHT 19- BY AMP HOLLAND B.V. ALL INTERNATIONAL RIGHTS RESERVED. AMP PRODUCTS MAY BE COVERED BY U.S. AND FOREIGN AND/OR PATENTS PENDING.		
-	-	-	-	THIS DRAWING IS UNPUBLISHED RELEASED FOR PUBLICATION		
-	-	-	-	AMP HOLLAND B.V. 's-Hertogenbosch, The Netherlands.		
D	EH-0054-92	D.K.	C.V.T	07-12-92	NAME	
C	H-9720	S.M.	C.V.T	21-04-92	SCREWLOCK, FEMALE, HD-SERIES	
B	H-9254	JVL	CvT	05-11-91		
LTR.	REVISION RECORD	DR.	CHK.	DATE		
DR. : D.KESSLER.	CHK. : C.v.TILBURG.	APP. : L.v.SOEST.	DWG.No.	REV.LTR..	SHEET	
DATE: 02-04-91	DATE: 23-04-91	DATE: 25-04-91	C-829261	D	1 OF 1	A4