

Features

- 230V AC 50Hz Input
- Direct Euro Fixed Plugtop Adapters
- Approved to CE, RoHS & REACH
- EN/IEC 61558-1 & 61558-2-6 Safety Approved
- Meets Efficiency Level VI & (EU) 2019/1782
- Output Voltage 12V
- Output Current 0.5A



Ideal Power's 77DB-12-xy-M 12VA AC/AC External Adapter UK Plugtop Power Supply (PSU) Series are certified to UKCA, CE, RoHS, REACH & EN 62368-1/IEC 62368-1/IEC 61558-1/IEC 61558-2-9 Standards and comply with (EU) 2019/1782, Level VI Efficiency Regulations. These are primarily used in ITE, Audio & Video Industries and customised solutions are available upon request.

Models

Model Number	Output Voltage V AC	Output Current Amp	Output Power VA	Efficiency %
77DE-06-12M	12	0.5	12	70

Input Data

	Min	Typical	Max	Units
Input Voltage	--	230	--	V AC
Input Frequency	--	50	--	Hz

General Specifications

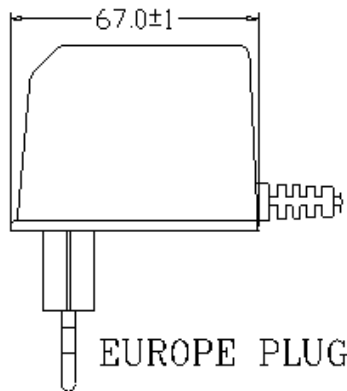
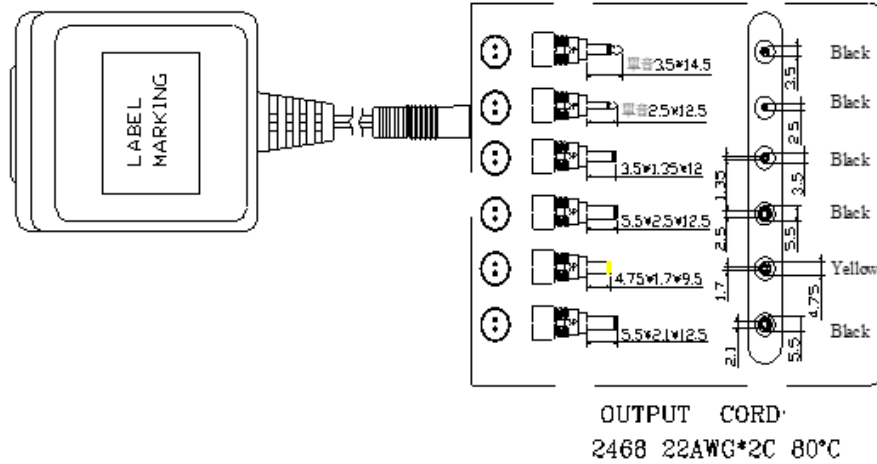
	Min	Typical	Max	Units	Notes
Operating Temperature	-10	--	+40	°C	
Storage Temperature	-20	--	+70	°C	
Relative Temperature	--	40	--	°C	+2°C
Relative Humidity	--	90	--	RH	
HI-POT:					
PRI To SEC		4200			
PRI To CORE	--	4200	--	V	
SEC To CORE		2100			
Safety Standard					EN/IEC 61558-1 & 61558-2-6
Insulation Class					B (130) °C

AC – AC

Other Information

Dimensions	67 x 48.5 x 40 mm
Output Cable	2468 22AWG*2C 1.8m Length + 6 Piece Connector Set

Mechanical Drawing



Electrical Circuit

