



5mm pitch inline screw PCB terminal blocks

Product overview

System provides same-side access as wire entry

- 1 to 12 pole interlocking
- Professional rising clamp terminals
- Standard profile
- Moulded in green UL94-V0 flame retardant PA66
- Cable acceptance - 0.5-2mm² (24-12AWG)
- Available in horizontal or vertical orientations
- Double row pins for enhanced board stability
- Useful in applications with restricted vertical access, e.g. covered enclosures
-   approved

SPECIFICATION

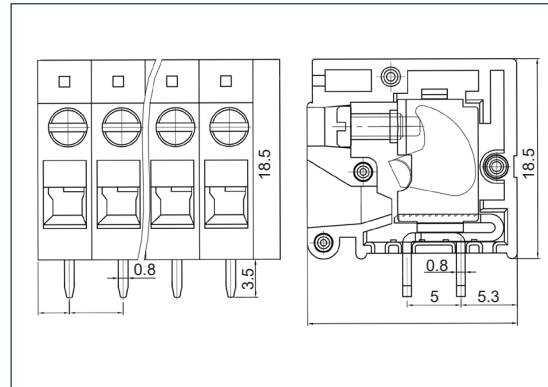
Rating	UL=20A/300V, VDE=24A/450V
Insulation resistance	500M Ω /500V
Withstand voltage	AC2000V/1min
Contact resistance	20m Ω (max)
Working temperature	-40°C to +105°C
Moulding	UL94-V0 flame retardant PA66
Pin/terminal	Brass, tin plated
Cage clamp	Steel, zinc plated
Screw/torque	M2.5 steel, zinc plated 0.4Nm
Recommended PCB hole size	ϕ 1.4mm



Horizontal

PART NO.	POLES	LENGTH
CTBP90VG/2	2	12.5mm
CTBP90VG/3	3	17.5mm
CTBP90VG/4	4	22.5mm
CTBP90VG/5	5	27.5mm
CTBP90VG/6	6	32.5mm
CTBP90VG/7	7	37.5mm
CTBP90VG/8	8	42.5mm
CTBP90VG/9	9	47.5mm
CTBP90VG/10	10	52.5mm
CTBP90VG/11	11	57.5mm
CTBP90VG/12	12	62.5mm

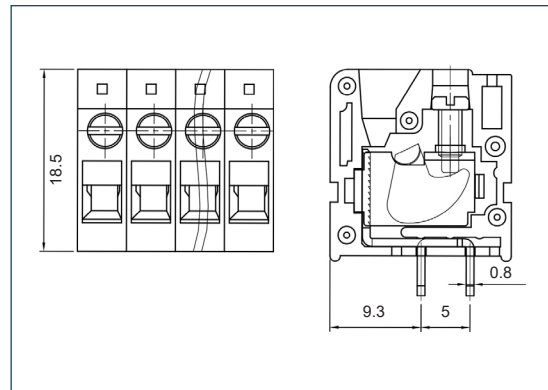
CTBP90VG



Vertical

PART NO.	POLES	LENGTH
CTBP90HG/2	2	12.5mm
CTBP90HG/3	3	17.5mm
CTBP90HG/4	4	22.5mm
CTBP90HG/5	5	27.5mm
CTBP90HG/6	6	32.5mm
CTBP90HG/7	7	37.5mm
CTBP90HG/8	8	42.5mm
CTBP90HG/9	9	47.5mm
CTBP90HG/10	10	52.5mm
CTBP90HG/11	11	57.5mm
CTBP90HG/12	12	62.5mm

CTBP90HG



KEY FEATURES

Inline cable entry | Interlock mechanism | Professional rising clamp



081

TERMINAL STRIPS

095

WIRE TO BOARD
CONNECTORS

100

CIRCULAR
CONNECTORS

151

IP68 CONNECTORS

158

INTERFACE
MODULES AND
RELAY BASES