

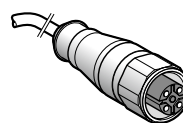
ORDER GUIDE

Mating cable (2 cables are required for the thru-beam type.)

Type		Model No.	Description	
For M12 plug-in connector type	Straight	CN-24C-C2	Length: 2 m 6.562 ft	Clamping ring : ø14mm 0.551 in
		CN-24C-C5	Length: 5 m 16.404 ft	
	Elbow	CN-24CL-C2	Length: 2 m 6.562 ft	Cable outer : ø5.3mm 0.209 in
		CN-24CL-C5	Length: 5 m 16.404 ft	

Mating cable

• Straight type



• Elbow type



OPTIONS

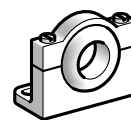
Designation	Model No.	Description
Sensor mounting bracket	MS-CY1-1	Material: Stainless steel
	MS-CY1-2	Material: Plastic, For beam axis alignment
Universal sensor mounting stand	MS-AJ3	It can adjust the height of the sensor and reflector RF-420 . (The thru-beam type sensor needs two brackets.)
Reflector	RF-420	50 × 50 mm 1.969 × 1.969 in
	RF-410	24 × 21 mm 0.945 × 0.827 in
Reflective tape	RF-40RL5	22 mm × 5 m 0.866 × 196.850 in , Thickness: 0.4 mm 0.016 in

Sensor mounting bracket

• MS-CY1-1

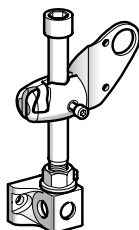


• MS-CY1-2



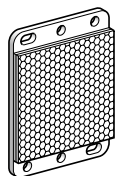
Universal sensor mounting stand

• MS-AJ3

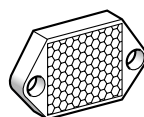


Reflector

• RF-420

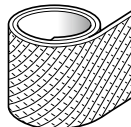


• RF-410



Reflective tape

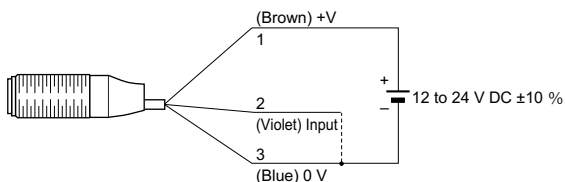
• RF-40RL5



WIRING DIAGRAMS

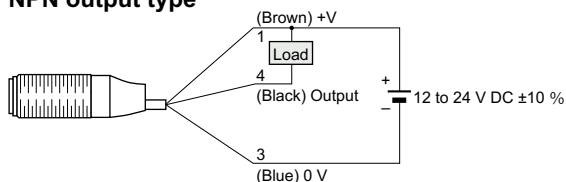
Wiring diagram

Emitter of thru-beam type



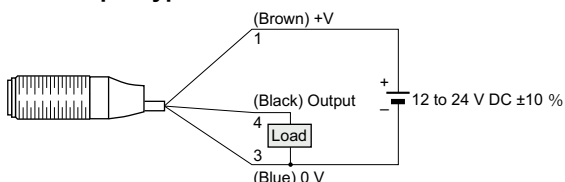
Receiver of thru-beam / Reflective type

NPN output type



Receiver of thru-beam / Reflective type

PNP output type



Connector pin position

M12 connector



- 1 : +V
- 2 : Input (Only emitter of thru-beam type)
- 3 : 0 V
- 4 : Output (Only receiver of thru-beam type and reflective type)

FIBER SENSORS

LASER SENSORS

PHOTO-ELECTRIC SENSORS

MICRO PHOTO-ELECTRIC SENSORS

AREA SENSORS

SAFETY LIGHT CURTAINS / SAFETY COMPONENTS

PRESSURE / FLOW SENSORS

INDUCTIVE PROXIMITY SENSORS

PARTICULAR USE SENSORS

SENSOR OPTIONS

SIMPLE WIRE-SAVING UNITS

WIRE-SAVING SYSTEMS

MEASUREMENT SENSORS

STATIC CONTROL DEVICES

LASER MARKERS

PLC

HUMAN MACHINE INTERFACES

ENERGY MANAGEMENT SOLUTIONS

FA COMPONENTS

MACHINE VISION SYSTEMS

UV CURING SYSTEMS

Selection Guide

Amplifier Built-in

Power Supply Built-in

Amplifier-separated

EX-Z

CX-400

CY-100

EX-10

EX-20

EX-30

EX-40

CX-440

EQ-30

EQ-500

MQ-W

RX-LS200

RX

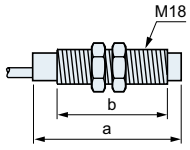
RT-610

DIMENSIONS (Unit: mm in)

FIBER SENSORS
LASER SENSORS
PHOTO-ELECTRIC SENSORS
MICRO PHOTO-ELECTRIC SENSORS
AREA SENSORS
SAFETY LIGHT CURTAINS / SAFETY COMPONENTS
PRESSURE / FLOW SENSORS
INDUCTIVE PROXIMITY SENSORS
PARTICULAR USE SENSORS
SENSOR OPTIONS
SIMPLE WIRE-SAVING UNITS
WIRE-SAVING SYSTEMS
MEASUREMENT SENSORS
STATIC CONTROL DEVICES
LASER MARKERS
PLC
HUMAN MACHINE INTERFACES
ENERGY MANAGEMENT SOLUTIONS
FA COMPONENTS
MACHINE VISION SYSTEMS
UV CURING SYSTEMS
Selection Guide
Amplifier Built-in
Power Supply Built-in
Amplifier-separated
EX-Z
CX-400
CY-100
EX-10
EX-20
EX-30
EX-40
CX-440
EQ-30
EQ-500
MQ-W
RX-LS200
RX
RT-610

CY-1□

Sensor



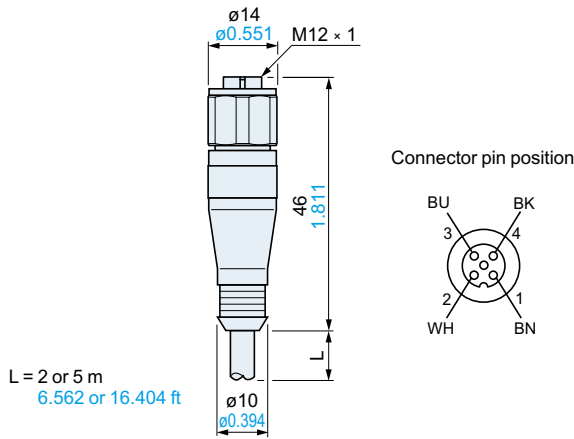
	2 m cable length type (mm in)		M12 plug-in connector type (mm in)	
	a	b	a	b
Standard type CY-111□/121□/192□	46 1.811	28 1.102	60 2.362	28 1.102
Standard type CY-191□	48 1.890	28 1.102	62 2.441	28 1.102
Side view type CY-111V□/121V□/191V□/192V□	62 2.441	28 1.102	76 2.992	28 1.102
Standard type CY-122□	62 2.441	44 1.732	76 2.992	44 1.732
Side view type CY-122V□	78 3.071	44 1.732	92 3.622	44 1.732

CN-24C-C2 CN-24C-C5

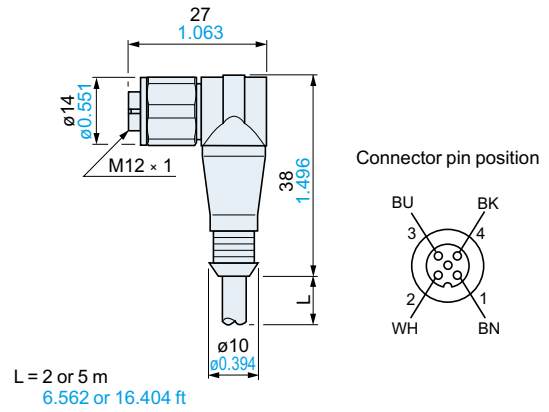
Mating cable

CN-24CL-C2 CN-24CL-C5

Mating cable



L = 2 or 5 m
6.562 or 16.404 ft



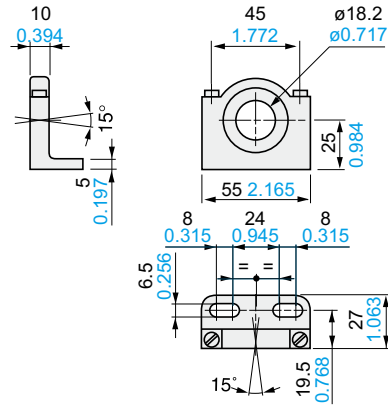
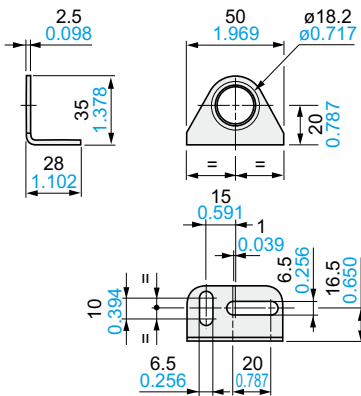
L = 2 or 5 m
6.562 or 16.404 ft

MS-CY1-1

Sensing mounting bracket

MS-CY1-2

Sensing mounting bracket



MS-AJ3

Universal sensor mounting stand

1. Ball-joint mounted fixing bracket **CY-100 series or RF-420** 2. M12 rod

3. Support for M12 rod

