



AMP CT

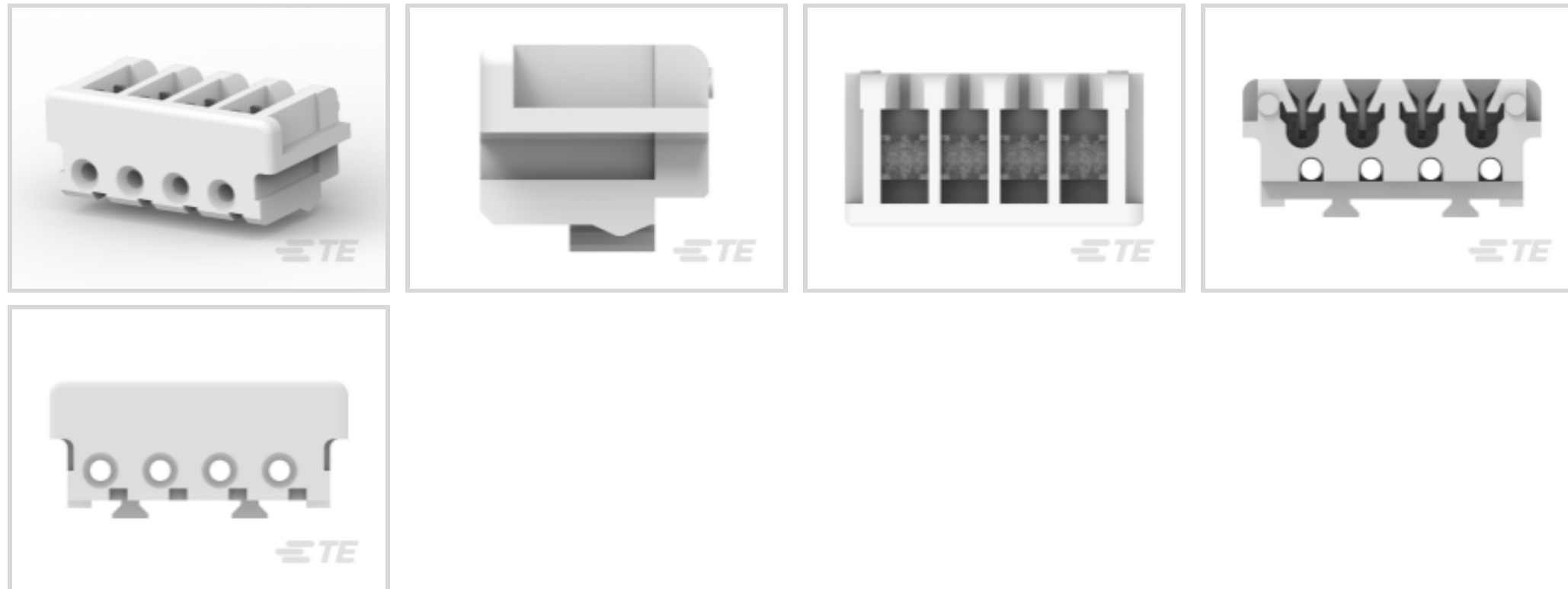
TE Internal #: 173977-4

AMP CT, Connector Assembly, Receptacle, Wire-to-Board, 4 Position, 2mm [.079in] Centerline, Insulation Displacement Crimp (IDC), 1 Row

[View on TE.com >](#)

Connectors > PCB Connectors > Wire-to-Board Connectors > Wire-to-Board Connector Assemblies & Housings >

AMP COMMON TERMINATION HOUSINGS



Connector Product Type: **Connector Assembly**

Connector & Housing Type: **Receptacle**

Connector System: **Wire-to-Board**

Number of Positions: **4**

Centerline (Pitch): **2 mm [.079 in]**

[All AMP COMMON TERMINATION HOUSINGS \(149\)](#)

Features

Product Type Features

Connector Product Type	Connector Assembly
Connector & Housing Type	Receptacle
Connector System	Wire-to-Board
Sealable	No
Connector & Contact Terminates To	Wire & Cable

Configuration Features

Number of Positions	4
Number of Rows	1

Contact Features

Contact Current Rating (Max)	2 A
------------------------------	-----

Termination Features

--	--



Termination Method to Wire & Cable	Insulation Displacement Crimp (IDC)
------------------------------------	-------------------------------------

Mechanical Attachment

Mating Retention	Without
Connector Mounting Type	Cable Mount (Free-Hanging)

Housing Features

Housing Material	PBT GF
Centerline (Pitch)	2 mm [.079 in]
Housing Color	Natural

Usage Conditions

Operating Temperature Range	-30 – 105 °C [-22 – 221 °F]
-----------------------------	-----------------------------

Operation/Application

Circuit Application	Power & Signal
---------------------	----------------

Product Compliance

[For compliance documentation, visit the product page on TE.com>](#)

EU RoHS Directive 2011/65/EU	Compliant
EU ELV Directive 2000/53/EC	Compliant
China RoHS 2 Directive MIIT Order No 32, 2016	No Restricted Materials Above Threshold
EU REACH Regulation (EC) No. 1907/2006	Current ECHA Candidate List: JAN 2021 (211) Candidate List Declared Against: JAN 2021 (211) Does not contain REACH SVHC
Halogen Content	Not Low Halogen - contains Br or Cl > 900 ppm.
Solder Process Capability	Not applicable for solder process capability

Product Compliance Disclaimer

This information is provided based on reasonable inquiry of our suppliers and represents our current actual knowledge based on the information they provided. This information is subject to change. The part numbers that TE has identified as EU RoHS compliant have a maximum concentration of 0.1% by weight in homogenous materials for lead, hexavalent chromium, mercury, PBB, PBDE, DBP, BBP, DEHP, DIBP, and 0.01% for cadmium, or qualify for an exemption to these limits as defined in the Annexes of Directive 2011/65/EU (RoHS2). Finished electrical and electronic equipment products will be CE marked as required by Directive 2011/65/EU. Components may not be CE marked. Additionally, the part numbers that TE has identified as EU ELV compliant have a maximum concentration of 0.1% by weight in homogenous materials for lead, hexavalent chromium, and mercury, and 0.01% for cadmium, or qualify for an exemption to these limits as defined in the Annexes of Directive 2000/53/EC (ELV). Regarding the REACH Regulation, the information TE provides on SVHC in articles for this part number is based on the latest European Chemicals Agency (ECHA) 'Guidance on requirements for substances in articles' posted at this URL: <https://echa.europa.eu/guidance-documents/guidance-on-reach>

Compatible Parts



TE Part # CAT-3983178-PHBXVD
CT 2mm Post Header Asmbly: Box V
DIP



TE Part # CAT-3980408-PHDWKV
CT 2mm Post Header Assy w/Kink -
Vert.



TE Part # CAT-3984552-PHITPS
CT Post Header Assembly: Part.
Shrouded



TE Part # CAT-3980408-PHDBXV
CT 2mm Post Header Assembly: Box-V



TE Part # CAT-3984552-BHTHVS
CT Box Header SMT: Vert, Shrouded



TE Part # CAT-AM7017-H342
AMP COMMON TERMINATION
HEADERS



TE Part # CAT-3980655-RHAFH
CT Relay Header Assembly: Free
Hanging



TE Part # 58074-1
MTA 50/100/156 MANUAL TOOL
FRAME



TE Part # 58372-1
HEAD (IDC) 2MM C.T. W/O TL



TE Part # 292185-8
REC ASS'Y OF HYB DRAWER 12P



TE Part # 292182-8
PLUG ASS'Y OF HYB DRAWER 12P



TE Part # 292134-4
CT BOX HDR ASSY V 4P AU W/KINK



TE Part # CAT-3980655-RHAWP
CT Relay Header Assembly: Wire-to-
Panel



TE Part # 2-292145-4
CT P/HDR ASSY V 4P W/O KINK BL



TE Part # 2-292164-4
CT P/HDR BOX H ASSY 4P T/P BLU



TE Part # 2-292165-4
CT P/HDR BOX V 4P T/P BLUE



TE Part # 2-292170-4
CT P/HDR ASSY 4P V W/O KINK T



TE Part # 292145-4
CT P/HDR ASSY V 4P W/O KINK NA



TE Part # 292146-4
CT P/HDR ASSY V 4P GF NAT



TE Part # 292157-4
CT RELAY W/COMMONING BAR 4P
NA

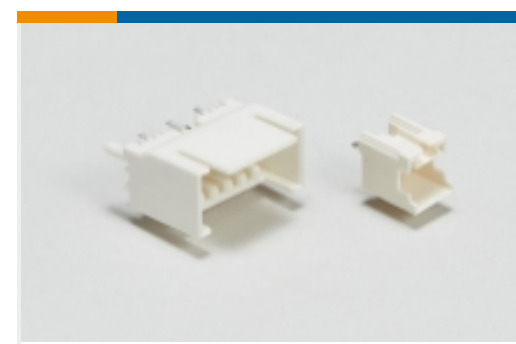
Also in the Series | **AMP CT**



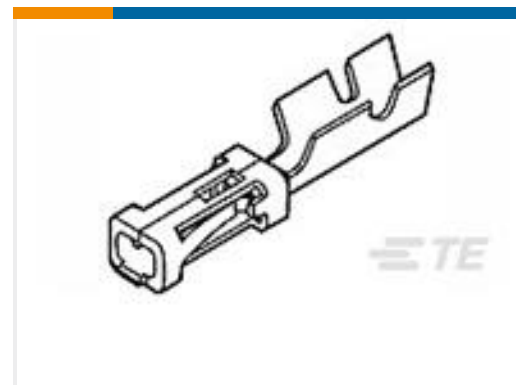
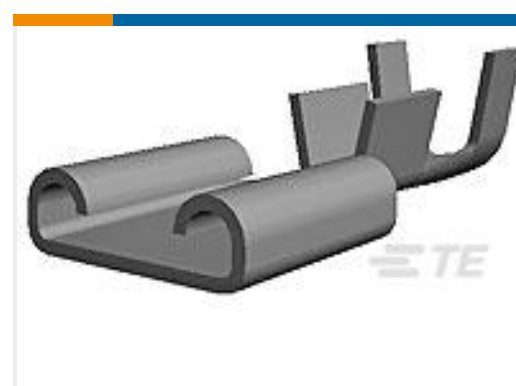
PCB Connector Mounting(46)

Wire-to-Board Connector Assemblies
& Housings(234)

Wire-to-Board Connector Contacts(8)

Wire-to-Board Headers & Receptacles
(760)

Customers Also Bought

TE Part #1-292132-3
CT 2mm Post Header Asmbly: Box V
DIPTE Part #1-173977-2
AMP COMMON TERMINATION
HOUSINGSTE Part #102917-5
MOD IV RECP PLTD 15 SELTE Part #1-353293-5
1.5 MINI-CT RECEPTACLETE Part #170361-1
UNIV M-N-L SOC. 26-22 AWGTE Part #170360-1
UNIV M-N-L PIN 22-18 AWGTE Part #170183-2
250 FASTON,REC.,22-18 AWG,TPBRTE Part #170325-1
187 PL MKII REC. 20-16AWG PTBRTE Part #1318386-2
TH/.025 CONNECTOR SYSTEM,
HOUSINGTE Part #8-292112-3
MT REC ASSY (#26,28)

Documents

Product Drawings

[CT CONN MT REC ASSY 4P](#)

English

CAD Files

[3D PDF](#)

3D

Customer View Model

[ENG_CVM_CVM_173977-4_M.2d_dxf.zip](#)



English

Customer View Model

[ENG_CVM_CVM_173977-4_M.3d_igs.zip](#)

English

Customer View Model

[ENG_CVM_CVM_173977-4_M.3d_stp.zip](#)

English

By downloading the CAD file I accept and agree to the [Terms and Conditions](#) of use.

Datasheets & Catalog Pages

[POWER_CONNECTORS_CATALOG_SEC02_CABLE_MOUNTED](#)

English

[2.0MM_AMP_CT_CONNECTOR_SERIES_QUICK_REF_GUIDE](#)

English

Product Specifications

[Application Specification](#)

English

Product Environmental Compliance

[MD_173977-4_07032018310_dmtec](#)

English

[MD_173977-4_07032018310_dmtec](#)

English

Instruction Sheets

[MINI PRESS CT CONNECTOR \(WAS IS-553J\)](#)

Japanese

[Instruction Sheet \(non U.S.\)](#)

Japanese

Agency Approvals

[CSA Certificate](#)

English