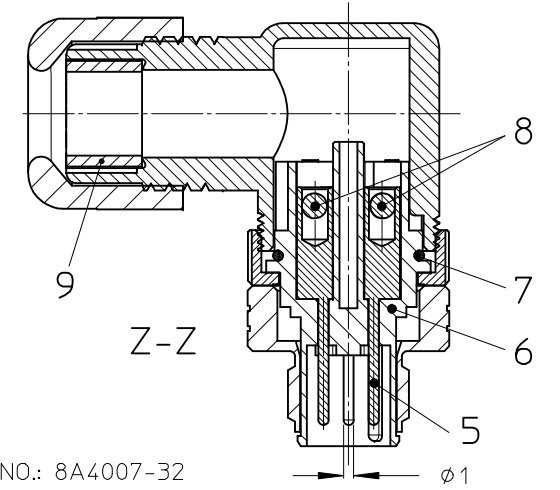
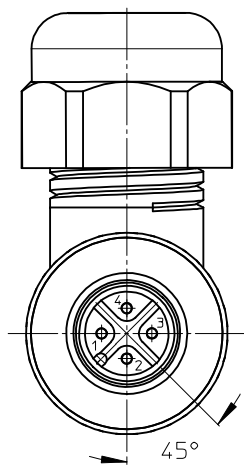
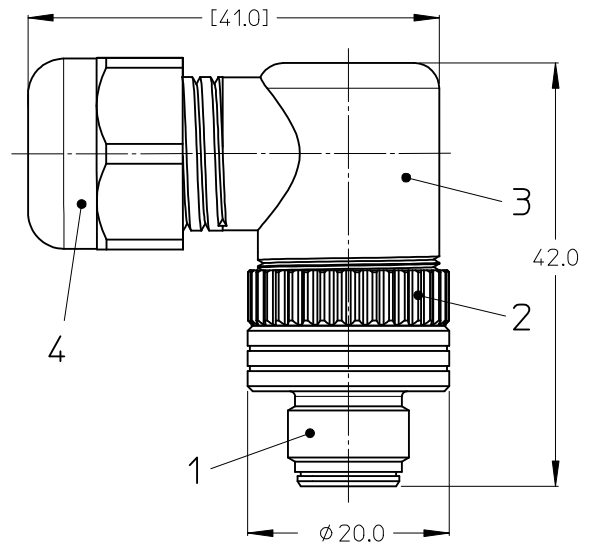
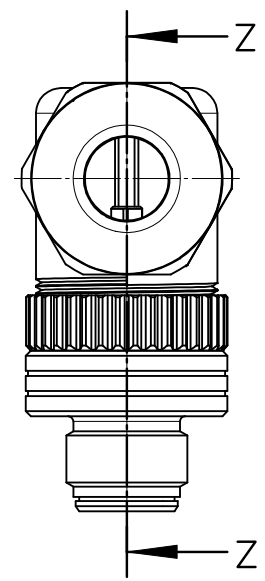
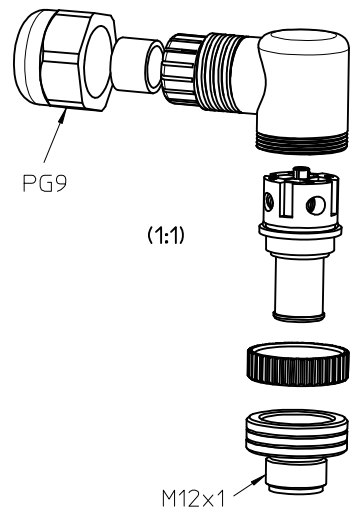


10 9 8 7 6 5 4 3 2 1



9	1	STP GROMMET	NITRILE RUBBER (BLACK)	-
8	4	SCREW M2.5x5.2	BRASS	NI
7	1	O-RING	NBR 70	-
6	1	MALE INSERT, 4P	PA (BLACK)	-
5	4	MALE CONTACT PIN	COPPER ALLOY	AU OVER NI
4	1	HUT NUT	POLYAMIDE (BLACK)	-
3	1	MALE HSG RA PG9	POLYAMIDE (BLACK)	-
2	1	LOCK RING	ULTRAMID (BLACK)	-
1	1	COUPLING NUT	BRASS	NI
ITEM	QTY	DESCRIPTION	MATERIAL	FINISH

Notes:

- ELECTRICAL RATINGS:  
CURRENT: 4AMP MAX  
VOLTAGE: 250V AC/ 300V DC
- MECHANICAL:  
TEMPERATURE RANGE: -25° TO +90°C  
INGRESS PROTECTION: IP 67

ENG.-NO.: 8A4007-32

<b>ENTER DESCRIPTION</b> EC NO: IPG2013-1023 DRW:RSCHIEBER 2013/01/14 CHKD:APOHL 2013/01/16 APPR:CBURGER 2013/01/29	QUALITY SYMBOLS ▽=0 ◻=0	GENERAL TOLERANCES (UNLESS SPECIFIED)		DIMENSION STYLE	SCALE	DESIGN UNITS	THIRD ANGLE PROJECTION	
		mm	INCH	MM ONLY	2:1	METRIC	☉	
		4 PLACES	± ---	± ---	DRAWN BY	DATE	TITLE	
		3 PLACES	± ---	± ---	RSCHIEBER	2013/01/14	FA M12 4P MA RA PG9	
2 PLACES	± 0.05	± ---	CHECKED BY	DATE				
1 PLACE	± 0.10	± ---	APOHL	2013/01/16				
0 PLACE	± 0.50	± ---	APPROVED BY	DATE				
			CBURGER	2013/01/29				
		ANGULAR ± 1 °	MATERIAL NO.	1200715011	DOCUMENT NO.	SD-120071-012	SHEET NO.	
		DRAFT WHERE APPLICABLE MUST REMAIN WITHIN DIMENSIONS	SIZE	A3	THIS DRAWING CONTAINS INFORMATION THAT IS PROPRIETARY TO MOLEX INCORPORATED AND SHOULD NOT BE USED WITHOUT WRITTEN PERMISSION			

9 8 7 6 5 4 3 2 1