

MATERIALS AND FINISHES:

SMA JACK BULKHEAD CONNECTOR:

BODY, CRIMP TUBE, JAM NUT: BRASS
PLATED GOLD

CENTER CONTACT: BERYLLIUM COPPER
PLATED GOLD

INSULATOR: PTFE

LOCK WASHER: PHOSPHOR BRONZE
PLATED GOLD

MHF® 4L LK CONNECTOR

CABLE: 1.37MM CABLE

HEAT SHRINK TUBE: PE

PERFORMANCE REQUIREMENTS

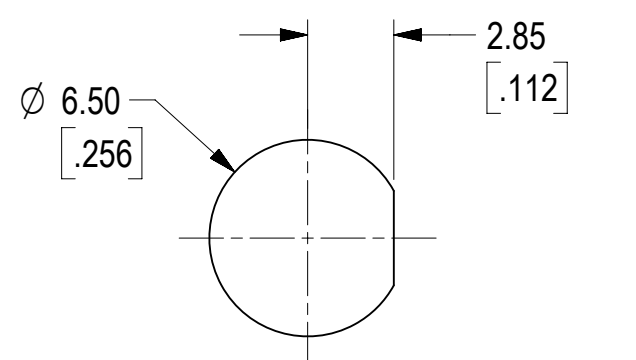
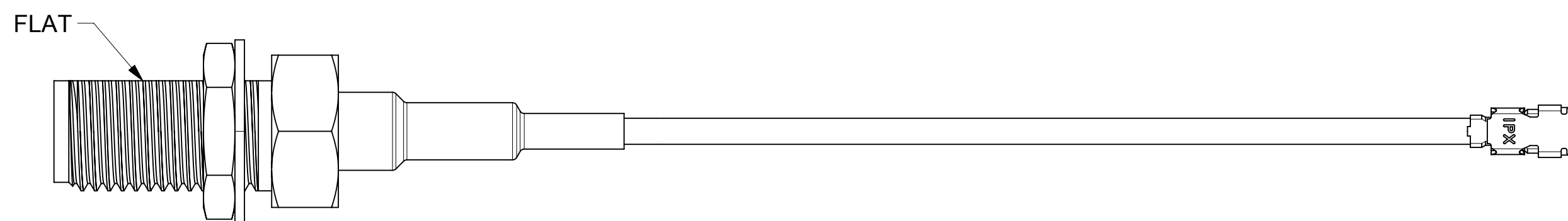
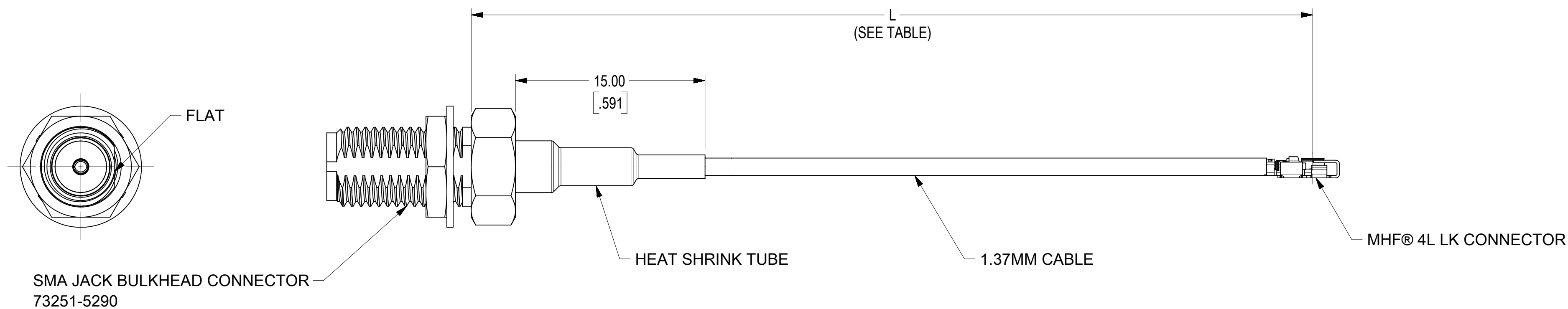
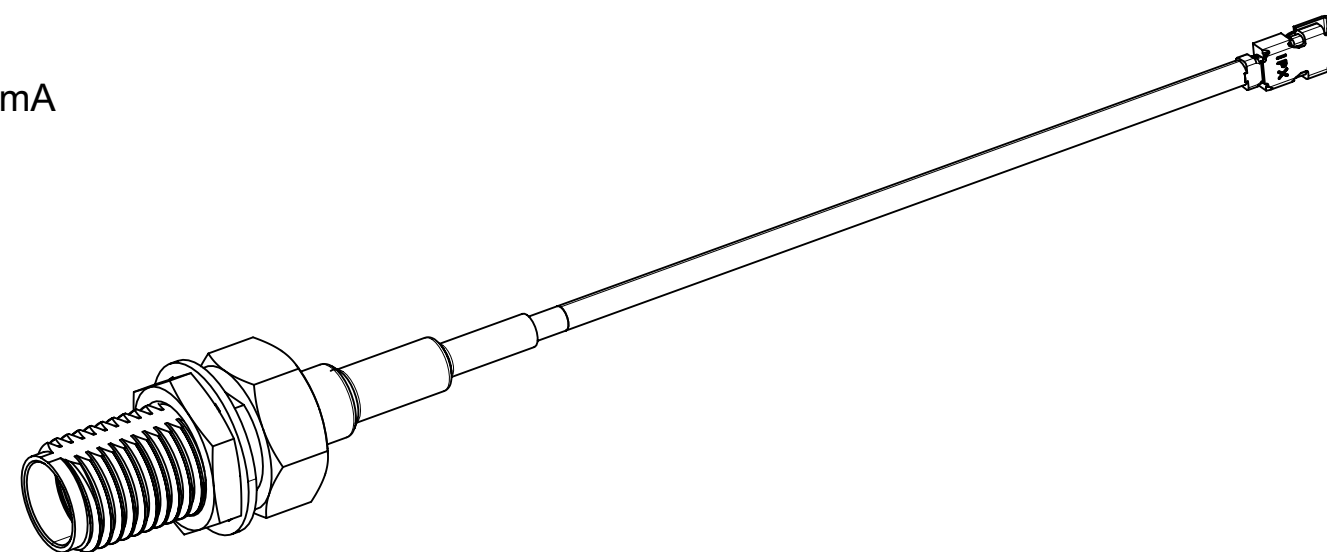
FREQUENCY RANGE: 0~12GHz

IMPEDANCE: 50 Ω

WITHSTAND VOLTAGE(AC): 350V @0.5mA

CONTINUITY: 100% TEST

PACKAGING BY PLASTIC BAG



RECOMMENDED MOUNTING HOLE

73230-6165	2.000±.118	50.80±3.00
73230-6164	4.000±.197	101.60±5.00
73230-6163	6.000±.197	152.40±5.00
73230-6162	8.000±.197	203.20±5.00
73230-6161	10.000±.197	254.00±5.00
73230-6160	12.008±.197	305.00±5.00
PART NO.	IN	MM
	L	

FUNCTIONAL SYMBOLS	THIS DRAWING CONTAINS INFORMATION THAT IS PROPRIETARY TO MOLEX ELECTRONIC TECHNOLOGIES, LLC AND SHOULD NOT BE USED WITHOUT WRITTEN PERMISSION										
	DIMENSION UNITS	SCALE	CURRENT REV DESC: ADD NEW PN.73230-6161, -6162,-6163,-6164,-6165 PER EWR#: 15305-D.								
MM/INCH	4:1	GENERAL TOLERANCES (UNLESS SPECIFIED)							CA, SMA JACK BULKHEAD TO MHF® 4L LK WITH DIA 1.37MM CABLE,50 OHMS,EWR#: 15305-A		
ANGULAR TOL	±	°	EC NO: 756278							PRODUCT CUSTOMER DRAWING	
4 PLACES	±		DRWN: YHUANG11 2023/07/07							DOCUMENT NUMBER	
3 PLACES	±		CHK'D: JCHEN108 2023/07/12							732306160	
2 PLACES	±		APPR: LCHEN03 2023/07/13							PSD 000 A2	
1 PLACE	±		INITIAL REVISION:							MATERIAL NUMBER	
0 PLACES	±		DRWN: YHUANG11 2022/07/21							CUSTOMER	
DRAFT WHERE APPLICABLE MUST REMAIN WITHIN DIMENSIONS			THIRD ANGLE PROJECTION		DRAWING	SERIES	SHEET NUMBER		1 OF 1		
					C-SIZE	73230	SEE TABLE		GENERAL MARKET		

DOCUMENT STATUS	P1	RELEASE DATE	2023/07/13 01:49:56
-----------------	----	--------------	---------------------