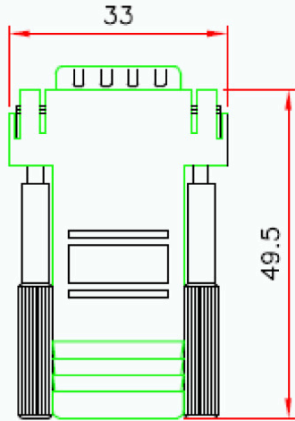
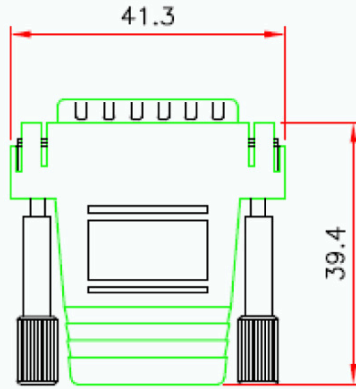


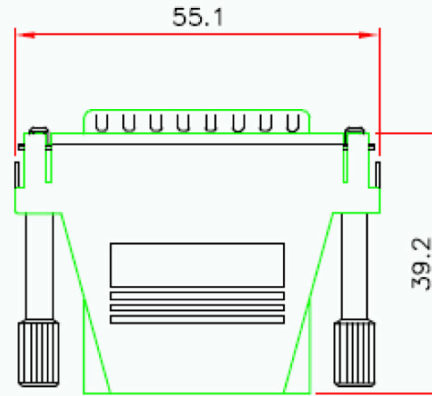
| | | | | | | | |
|-----|-------------------------|------|-------|-----|-------------------------|------|-------|
| No. | Changes and/or Note No. | Date | Intr. | No. | Changes and/or Note No. | Date | Intr. |
| | | | | | | | |



9P



15P



25P

SPECIFICATION

MATERIAL

Insulator: P.B.T. & Glass fill reinforced UL94V-0
 Contacts: Brass(standard), Phosphor Bronze(choose)
 Shell: Steel
 Rivet, Board: Brass

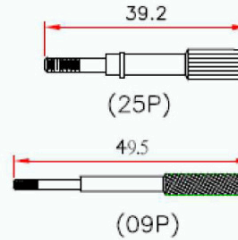
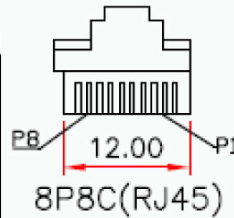
CONTACT PLATING

Underplate: 50um Nickel
 Contact area: 1 um ~30um Selective Gold
 Solder tails area: 100um Tin/Lead

ELECTRICAL

Operation voltage 250 VAC max.
 Current rating: 3 Amps max.
 Contact resistance: 15 m Ohms max.
 Insulation resistance: 3000 M Ohms min @ 500 VDC
 Dielectric withstanding voltage: 1000 VAC/ minute
 Operating temperature: -55°C to +105°C

| Size | Part number | Description |
|---------|--------------|----------------|
| 9-ways | 2112-0101-11 | DA09-PMJ8-K-RC |
| 15-ways | 2112-0101-12 | DA15-PMJ8-K-RC |
| 25-ways | 2112-0101-13 | DA25-PMJ8-K |



A=LONG SCREWS

****ROHS****

| | | | |
|-----------------------------|----------|-------|----------------------------|
| DATE 19/11/2012 | DRAWN | SCALE | MATERIAL TYPE |
| | APPROVED | | REPLACES |
| | | | |
| MALE ADAPTER TO RJ45, BLACK | | | DRAWING No 2112-0101-1X |