



# Auto Switch Guide

Select an auto switch model according with the series and mounting style.



Series *	Size	Auto Switch Mounting Style						Page No.
		Direct (Circular Section)	Direct (Rectangular Section)	Direct (for rotary actuators)	Rail	Tie rod	Band	
CJP	6, 10, 15	●						Direct (Circular Section) 1103
C55	20 to 63	●						Direct (Circular Section) 1103
C76	32, 40				●		●	Rail /Band 1104, 1105
C85	8 to 25				●		●	Rail /Band 1104, 1105
C95	32 to 250					●		Tie rod 1106
CA2	10 to 100					●		Tie rod 1106
CA2Y	40 to 100					●		Tie rod 1106
CE1	12 to 63				●			Rail 1104
	32 to 63	●						Direct (Circular Section) 1103
CEP1	12, 20	●						Direct (Circular Section) 1103
CG1	20 to 100						●	Band 1105
CG1Y	20 to 100						●	Band 1105
CG5..S	20 to 100						●	Band (use D-G5BAL) Water resistant 1105
CJ2	6, 10, 16						●	Band 1105
	10, 16				●			Rail 1104
CJ2X	10, 16						●	Band 1105
CJ5..S	10, 16						●	Band (use D-H7BAL) Water resistant 1105
CL1	40 to 160					●		Tie rod 1106
CLG1	20 to 40						●	Band 1105
CLJ2	16						●	Band 1105
CLM2	20 to 40						●	Band 1105
CLQ	20 to 100	●						Direct (Circular Section) 1103
CLS	125 to 250					●		Tie rod for cylinder unit 1106
	125 to 250	●						Direct (Circular Section) for lock unit 1103
CM2	20, 25, 32, 40						●	Band 1105
CM2X	20 to 40						●	Band 1105
CM2Y	20 to 40						●	Band 1105
CNA	40 to 100					●		Tie rod 1106
CNG	20 to 40						●	Band 1105
CNS	125, 140, 160					●		Tie rod 1106
CP95	32 to 100		●					Direct (Rectangular Section) 1104
	12 to 160				●			Rail 1104
CQ2	32 to 100	●			●			Direct (Circular Section) 1103
	125 to 200		●					Direct (Rectangular Section) 1104
CQ2X	32 to 100	●						Direct (Circular Section) 1103
CQ2Y	32 to 100	●						Direct (Circular Section) 1103
CQM	12 to 50	●						Direct (Circular Section) 1103
CQS	12 to 25	●						Direct (Circular Section) 1103
CQSX	12 to 25	●						Direct (Circular Section) 1103
CQSY	12 to 25	●						Direct (Circular Section) 1103
CRA1	30				●			Rail 1104
	50 to 100					●		Tie rod 1106
CRB1	50 to 100			●				Direct (for rotary actuators) 1107
CRB2	10 to 40			●				Direct (for rotary actuators) 1107
CRBU	10 to 40			●				Direct (for rotary actuators) 1107
CRJ	0.5, 1	●						Direct (Circular Section) 1103
CRQ2	10 to 40	●						Direct (Circular Section) 1103
CS1	125 to 200					●		Tie rod 1106
CU	6 to 32	●						Direct (Circular Section) 1103
CUJ	4 to 10	●						Direct (Circular Section, use D-F8 type) 1103
CUX	10 to 32	●						Direct (Circular Section) 1103
CXS	6 to 32		●					Direct (Rectangular Section) 1104
CXSJ	6 to 32	●						Direct (Circular Section) 1103
CXT	12 to 40	●						Direct (Circular Section) 1103
CXW	10 to 32				●			Rail 1104
CY1F	10, 15, 25	●						Direct (Circular Section) 1103
CY1H/HT	10 to 32		●					Direct (Rectangular Section) 1104
CY1L	6 to 40				●			Rail 1104
CY1S	6 to 40				●			Rail 1104
CY3R	6 to 20	●						Direct (Circular Section) 1103
	25 to 63		●					Direct (Rectangular Section) 1104
CYP	15, 32		●					Direct (Rectangular Section) 1104
E-MY2	16, 25	●						Direct (Circular Section) 1103
MB	32 to 125					●		Tie rod 1106
MB1	32 to 100		●					Direct (Rectangular Section) 1104

\* The basic cylinder series is shown here. To use auto switches the magnetic version must be specified, unless a magnet for auto switches is standard. Eg. for CQ2 cylinders CDQ2 must be specified. See individual catalogue sections for details.



CAD CD-ROM AVAILABLE



SEE BEST PNEUMATICS VOL.6-12



PDF AVAILABLE ONLINE



Series *	Size	Direct (Circular Section)	Direct (Rectangular Section)	Direct (for rotary actuators)	Rail	Tie rod	Band	Auto Switch Mounting Style Notes	Page No.
MDHR2	10 to 30	●						Direct (use solid state switch)	1103
MDHR3	10, 15	●						Direct (use solid state switch)	1103
MGC	20 to 50						●	Band	1105
MGF	40, 63, 100		●					Direct (Rectangular Section)	1104
MGG	20 to 100						●	Band	1105
MGJ	6, 10	●						Direct (Circular Section, use D-F8 type)	1103
MGP	12 to 100		●					Direct (Rectangular Section)	1104
MGQ	12 to 100		●					Direct (Rectangular Section)	1104
MGT	63, 80, 100		●					Cylinder unit: Direct (Rectangular Section)	1104
	63, 80, 100	●						Table unit: Direct (Circular Section)	1103
MGZ/R	20, 25, 32	●						Direct (Circular Section)	1103
	40 to 80		●					Direct (Rectangular Section)	1104
MHC2	10 to 25		●					Direct (use solid state switch)	1104
	6	●						Direct (use solid state switch)	1103
MHF2	8 to 20	●						Direct (use solid state switch)	1103
MHK2	12 to 25	●						Direct (use solid state switch)	1103
MHL2	10 to 40		●					Direct (use solid state switch)	1104
MHS	10 to 25	●						Direct (use solid state switch)	1103
	32 to 125		●					Direct (use solid state switch)	1104
MHT2	32 to 63	●						Direct (use solid state switch)	1103
MHW2	20 to 50		●					Direct (use solid state switch)	1104
MHY2	10 to 25	●						Direct (use solid state switch)	1103
MHZ2	6 to 40	●						Direct (use solid state switch)	1103
MHZJ2	6 to 25	●						Direct (use solid state switch)	1103
MHZL2	10 to 25	●						Direct (use solid state switch)	1103
MIW/MIS	8 to 32	●						Direct (Circular Section)	1103
MK	12 to 63	●						Direct (Circular Section)	1103
MK2	20 to 63	●						Direct (Circular Section)	1103
ML2B	25, 32, 40		●					Direct (Rectangular Section)	1104
MLGC	20 to 40						●	Band	1105
MLGP	20 to 100		●					Direct (Rectangular Section)	1104
MLU	25 to 50				●			Rail	1104
MNB	32 to 100					●		Tie rod	1106
MRHQ	10 to 25	●						Rotation unit: Direct (In-line type)	1103
	10 to 25	●						Gripper unit: Direct (Perpendicular type)	1103
MRQ	32, 40				●			Rail	1104
MSQ	1 to 200	●						Direct (Circular Section)	1103
MSU	1 to 20			●				Direct (for rotary actuators)	1107
MTS	8 to 40	●						Direct (Circular Section)	1103
MU	25 to 63				●			Rail	1104
MXF	8 to 20	●						Direct (Circular Section)	1103
MXH	6 to 20	●						Direct (Circular Section)	1103
MXJ	4.5, 6, 8	●						Direct (Circular Section)	1103
MXP	6 to 16	●						Direct (Circular Section)	1103
MXQ	6 to 25	●						Direct (Circular Section)	1103
MXS	6 to 25	●						Direct (Circular Section)	1103
MXU	6 to 16	●						Direct (Circular Section)	1103
MXW	8 to 25	●						Direct (Circular Section)	1103
MXY	6 to 12	●						Direct (Circular Section)	1103
MY1□□	10, 16, 20	●						Direct (Circular Section)	1103
	25 to 100		●					Direct (Rectangular Section)	1104
MY2	16, 25, 40	●						Direct (Circular Section)	1103
MY3A/3B	16 to 63	●						Direct (Circular Section)	1103
REAH/HT	10 to 32		●					Direct (Rectangular Section)	1104
REAL	10 to 40				●			Rail	1104
REAR	10, 15, 20	●						Direct (Circular Section)	1103
	25, 32, 40		●					Direct (Rectangular Section)	1104
REAS	10 to 40				●			Rail	1104
REBH/HT	15, 25, 32		●					Direct (Rectangular Section)	1104
REBR	15	●						Direct (Circular Section)	1103
	25, 32		●					Direct (Rectangular Section)	1104
REC	20 to 40						●	Band	1105
RHC	20 to 100						●	Band	1105
RLQ	32 to 63	●						Direct (Circular Section)	1103
RQ	20 to 100	●						Direct (Circular Section)	1103
RSA	50, 63, 80		●					Direct (Rectangular Section)	1104
RSG	40, 50						●	Band	1105
RSH/RS1H	20 to 80		●					Direct (Rectangular Section)	1104
RSQ	12 to 50	●						Direct (Circular Section)	1103
RZQ	32 to 63	●						Direct (Circular Section)	1103

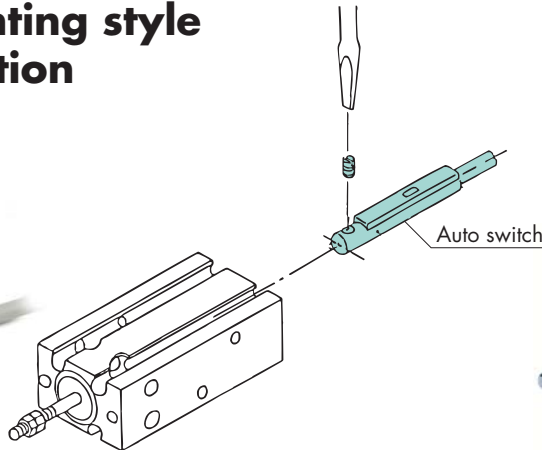
\* The basic cylinder series is shown here. To use auto switches the magnetic version must be specified, unless a magnet for auto switches is standard. Eg. for CQ2 cylinders CDQ2 must be specified. See individual catalogue sections for details.



## Direct mounting style Circular section



DM9□



Auto switch



### Applicable Auto Switch/Direct mounting

Applicable Series	Bore size (mm)	Reed switch type		Solid state switch type		Description
		24 VDC 2-wire	24 VDC 3-wire (PNP)	24 VDC 3-wire (NPN)	24 VDC Diagnostic indication (2-colour indication) 3-wire (PNP)	
C55 CJP CE1 (ø32-63) CEP1 CLQ CLS CQ2 (ø32-100) CQM CQS CRJ CRQ2 CU CUX CXSJ CXT CY1F CY3R (ø6 ~ 20) E-MY2 MDHR2 MDHR3 MGT (ø60-100) MGZ/R (ø 20-32) MHC2 (ø6) MHF2 * MHK2 * MHS (ø10-25) * MHT2	6 to 100	D-A93L	D-M9PL	D-M9NL	D-F9PWL	<ul style="list-style-type: none"> <li>Lead wire length = 3 m, consult SMC for other length.</li> </ul>
MY1□ (ø10-20) MY2 MY3 REAR (ø10-20) REBR (ø15) RLQ RQ, RSQ RZQ						

• Since there are other applicable auto switches than listed, refer to Best Pneumatics catalogue for details.  
 (\*) Only solid state switches can be used.



DF8□

Short body type



### Applicable Auto Switch/Short Body Type/Direct mounting

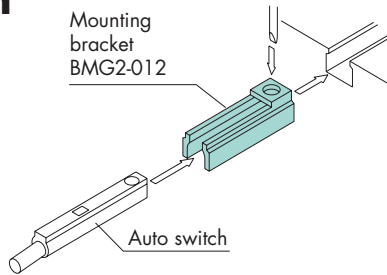
Applicable Series	Bore size (mm)	Solid state switch type			24 VDC Diagnostic indication (2-colour indication) 3-wire (PNP)	Description
		24 VDC 2-wire	24 VDC 3-wire (PNP)	24 VDC 3-wire (NPN)		
CUJ MGJ	4 to 10	D-F8BL	D-F8PL	D-F8NL	—	<ul style="list-style-type: none"> <li>Lead wire length = 3 m, consult SMC for other length.</li> </ul>



## Direct mounting style Rectangular section



DM9□



### Applicable Auto Switch + Mounting Bracket (BMG2-012)

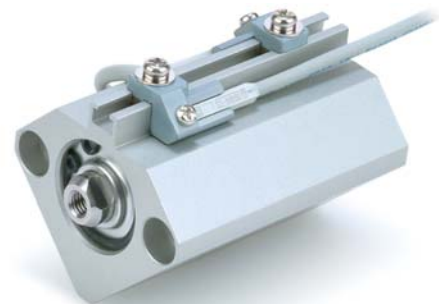
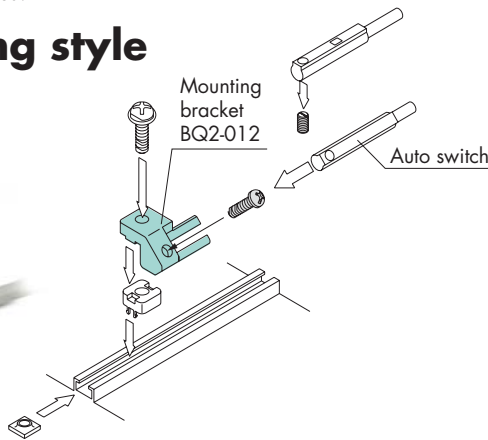
Applicable Series	Bore size (mm)	Reed switch type		Solid state switch type			Description
		24 VDC 2-wire	24 VDC 3-wire (PNP)	24 VDC 3-wire (NPN)	24 VDC Diagnostic indication (2-colour indication) 3-wire (PNP)		
CP95 MB1 CQ2 (ø125-200) CX5 CY1H/HT CY3R (ø25-63) CYP MGF * MGP MGQ MGT MGZ/R (ø40-80)	MHC2 (ø10-25) * MHL2 * MHS (ø32-125) * MHW2 * ML2B MLGP MY1□ (ø25-100) * REAH/HT REAR (ø25-40) REBH/HT REBR (ø25, 32) RSA * RSH/RS1H *	D-A93L + BMG2-012	D-M9PL + BMG2-012	D-M9NL + BMG2-012	D-F9PWL + BMG2-012	<ul style="list-style-type: none"> <li>Lead wire length = 3 m, consult SMC for other length.</li> </ul>	
6 to 100	—	D-M9PSAPC + BMG2-012	D-M9NSAPC + BMG2-012	D-F9PWSAPC + BMG2-012	<ul style="list-style-type: none"> <li>Auto switch with pre-wired connector (M8-3pin).</li> <li>Lead wire length = 0.5 m, consult SMC for other length.</li> </ul>		

• Since there are other applicable auto switches than listed, refer to Best Pneumatics catalogue for details.  
 (\*) Only solid state switches can be used.

## Rail mounting style



DM9□



### Applicable Auto Switch + Mounting Bracket (BQ2-012)

Applicable Series	Bore size (mm)	Reed switch type		Solid state switch type			Description
		24 VDC 2-wire	24 VDC 3-wire (PNP)	24 VDC 3-wire (NPN)	24 VDC Diagnostic indication (2-colour indication) 3-wire (PNP)		
C76 C85 CE1 (ø12 to 63) ** CJ2 (ø10, 16) CQ2 (ø12 to 160) CRA1 (ø30) CXW	CY1L CY1S MU * MLU * MRQ REAL REAS	D-A93L + BQ2-012	D-M9PL + BQ2-012	D-M9NL + BQ2-012	D-F9PWL + BQ2-012	<ul style="list-style-type: none"> <li>Lead wire length = 3 m, consult SMC for other length.</li> </ul>	
8 to 160	—	D-M9PSAPC + BQ2-012	D-M9NSAPC + BQ2-012	D-F9PWSAPC + BQ2-012	<ul style="list-style-type: none"> <li>Auto switch with pre-wired connector (M8-3pin).</li> <li>Lead wire length = 0.5 m, consult SMC for other length.</li> </ul>		

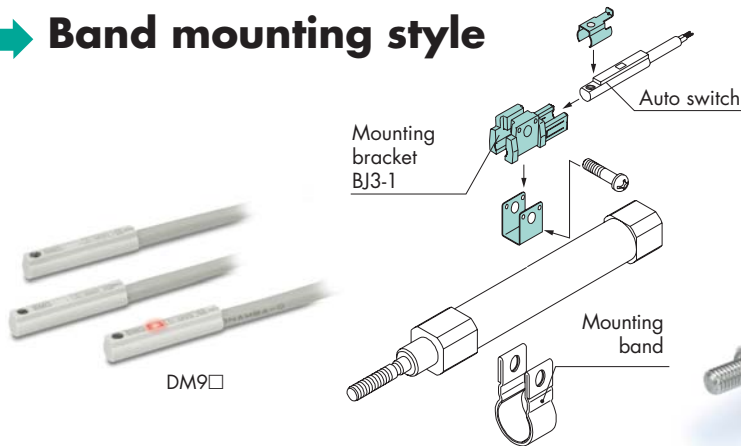
• Since there are other applicable auto switches than listed, refer to Best Pneumatics catalogue for details.

(\*) Only solid state switches can be used.


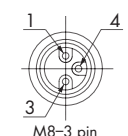
(\*\*) ø12 - Only solid state switches can be used.



## ➔ Band mounting style



### Applicable Auto Switch + Mounting Bracket (BJ3-1) + Mounting band

Applicable Series	Bore size (mm)	Reed switch type		Solid state switch type		Auto switch with pre-wired connector
		24 VDC 2-wire	24 VDC 3-wire (PNP)	24 VDC 3-wire (NPN)	24 VDC Diagnostic indication (2-colour indication) 3-wire (PNP)	
C85 * CJ2 CLJ2	6	D-A93L + BJ3-1 + BJ2-006	D-M9PL + BJ3-1 + BJ2-006	D-M9NL + BJ3-1 + BJ2-006	D-F9PWL + BJ3-1 + BJ2-006	 24 VDC 3-wire (PNP): <b>D-M9PSAPC</b>  24 VDC 3-wire (PNP): <b>D-M9NSAPC</b>  24 VDC Diagnostic indication (2-color indication) 3-wire (PNP): <b>D-F9PWSAPC</b>   • Lead wire length = 0.5 m, consult SMC for other length.
	8	D-A93L + BJ3-1 + BJ2-008	D-M9PL + BJ3-1 + BJ2-008	D-M9NL + BJ3-1 + BJ2-008	D-F9PWL + BJ3-1 + BJ2-008	
	10	D-A93L + BJ3-1 + BJ2-010	D-M9PL + BJ3-1 + BJ2-010	D-M9NL + BJ3-1 + BJ2-010	D-F9PWL + BJ3-1 + BJ2-010	
	12	D-A93L + BJ3-1 + BJ2-012	D-M9PL + BJ3-1 + BJ2-012	D-M9NL + BJ3-1 + BJ2-012	D-F9PWL + BJ3-1 + BJ2-012	
	16	D-A93L + BJ3-1 + BJ2-016	D-M9PL + BJ3-1 + BJ2-016	D-M9NL + BJ3-1 + BJ2-016	D-F9PWL + BJ3-1 + BJ2-016	
C85 * C76 CM2 CLM2	20	D-A93L + BJ3-1 + BM2-020	D-M9PL + BJ3-1 + BM2-020	D-M9NL + BJ3-1 + BM2-020	D-F9PWL + BJ3-1 + BM2-020	
	25	D-A93L + BJ3-1 + BM2-025	D-M9PL + BJ3-1 + BM2-025	D-M9NL + BJ3-1 + BM2-025	D-F9PWL + BJ3-1 + BM2-025	
	32	D-A93L + BJ3-1 + BM2-032	D-M9PL + BJ3-1 + BM2-032	D-M9NL + BJ3-1 + BM2-032	D-F9PWL + BJ3-1 + BM2-032	
	40	D-A93L + BJ3-1 + BM2-040	D-M9PL + BJ3-1 + BM2-040	D-M9NL + BJ3-1 + BM2-040	D-F9PWL + BJ3-1 + BM2-040	
CG1 CLG1 CNG MGC MGG MLGC REC RHC RSG	20	D-A93L + BJ3-1 + BMA2-020	D-M9PL + BJ3-1 + BMA2-020	D-M9NL + BJ3-1 + BMA2-020	D-F9PWL + BJ3-1 + BMA2-020	
	25	D-A93L + BJ3-1 + BMA2-025	D-M9PL + BJ3-1 + BMA2-025	D-M9NL + BJ3-1 + BMA2-025	D-F9PWL + BJ3-1 + BMA2-025	
	32	D-A93L + BJ3-1 + BMA2-032	D-M9PL + BJ3-1 + BMA2-032	D-M9NL + BJ3-1 + BMA2-032	D-F9PWL + BJ3-1 + BMA2-032	
	40	D-A93L + BJ3-1 + BMA2-040	D-M9PL + BJ3-1 + BMA2-040	D-M9NL + BJ3-1 + BMA2-040	D-F9PWL + BJ3-1 + BMA2-040	
	50	D-A93L + BJ3-1 + BMA2-050	D-M9PL + BJ3-1 + BMA2-050	D-M9NL + BJ3-1 + BMA2-050	D-F9PWL + BJ3-1 + BMA2-050	
	63	D-A93L + BJ3-1 + BMA2-063	D-M9PL + BJ3-1 + BMA2-063	D-M9NL + BJ3-1 + BMA2-063	D-F9PWL + BJ3-1 + BMA2-063	

Stainless Steel Cylinder:

Series CJ5-S

Series CG5-S

Water resistant 2-colour indication type. Solid state switch, 2-wire, 24VDC

Auto switch model	Mounting bracket no.		Auto switch model	Mounting bracket no.							
	ø10	ø16		ø20	ø25	ø32	ø40	ø50	ø63	ø80	ø100
D-H7BAL	BJ2-010S	BJ2-016S	D-G5BAL	NBA-088S	NBA-106S	BGS1-032S	BAF-04S	BAF-05S	BAF-06S	BAF-08S	BAF-10S

- Lead wire length = 3 m, consult SMC for other length.
- Since there are other applicable auto switches than listed, refer to Best Pneumatics catalogue for details.
- (\*) Solid state switches only can be used.



CAD CD-ROM AVAILABLE



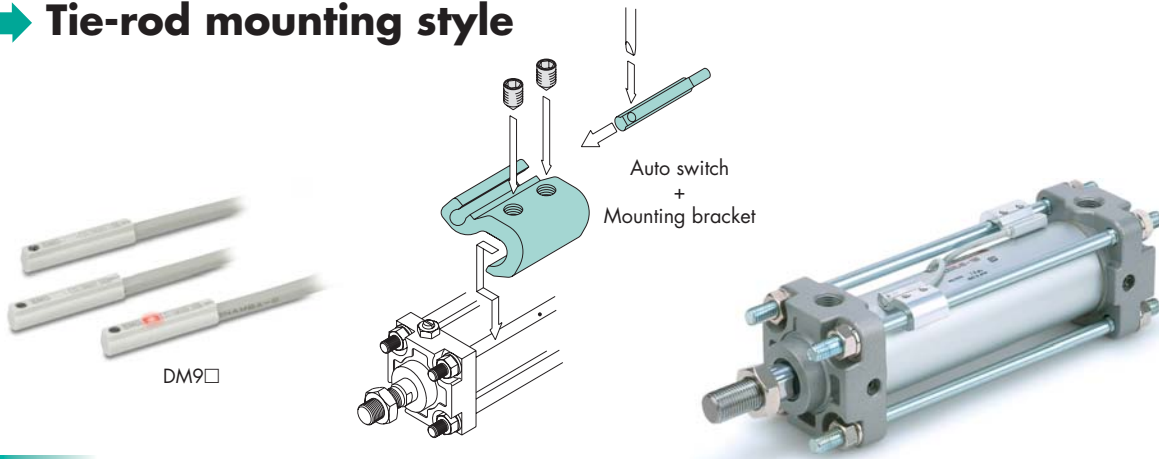
SEE BEST PNEUMATICS VOL.6-12



PDF AVAILABLE ONLINE


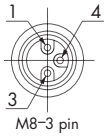


## Tie-rod mounting style



Applicable Auto Switch + Mounting bracket

Auto-Switch Guide

Applicable Series	Bore size (mm)	Reed switch type		Solid state switch type		Auto switch with pre-wired connector
		24 VDC 2-wire	24 VDC 3-wire (PNP)	24 VDC 3-wire (NPN)	24 VDC Diagnostic indication (2-colour indication) 3-wire (PNP)	
C95 MB MNB	32, 40	D-A93L + BMB5-032	D-M9PL + BMB5-032	D-M9NL + BMB5-032	D-F9PWL + BMB5-032	  24 VDC 3-wire (PNP): <b>D-M9PSAPC</b>  24 VDC 3-wire (PNP): <b>D-M9NSAPC</b>  24 VDC Diagnostic indication (2-colour indication) 3-wire (PNP): <b>D-F9PWSAPC</b>
	50, 63	D-A93L + BA7-040	D-M9PL + BA7-040	D-M9NL + BA7-040	D-F9PWL + BA7-040	
	80, 100	D-A93L + BA7-063	D-M9PL + BA7-063	D-M9NL + BA7-063	D-F9PWL + BA7-063	
	125	D-A93L + BA7-080	D-M9PL + BA7-080	D-M9NL + BA7-080	D-F9PWL + BA7-080	
	160, 200	D-A93L + BS5-160	D-M9PL + BS5-160	D-M9NL + BS5-160	D-F9PWL + BS5-160	
CA2 * CNA * CL1 *	40, 50	D-A93L + BA7-040	D-M9PL + BA7-040	D-M9NL + BA7-040	D-F9PWL + BA7-040	24 VDC Diagnostic indication (2-colour indication) 3-wire (PNP): <b>D-F9PWSAPC</b>
	63	D-A93L + BA7-063	D-M9PL + BA7-063	D-M9NL + BA7-063	D-F9PWL + BA7-063	
	80, 100	D-A93L + BA7-080	D-M9PL + BA7-080	D-M9NL + BA7-080	D-F9PWL + BA7-080	
CS1 CLS CNS	125, 140	D-A93L + BS5-125	D-M9PL + BS5-125	D-M9NL + BS5-125	D-F9PWL + BS5-125	  • Lead wire length = 0.5 m, consult SMC for other length.
	160	D-A93L + BS5-160	D-M9PL + BS5-160	D-M9NL + BS5-160	D-F9PWL + BS5-160	
	180	D-A93L + BS5-180	D-M9PL + BS5-180	D-M9NL + BS5-180	D-F9PWL + BS5-180	
	200	D-A93L + BS5-200	D-M9PL + BS5-200	D-M9NL + BS5-200	D-F9PWL + BS5-200	

- Lead wire length = 3 m, consult SMC for other length.
- Since there are other applicable auto switches than listed, refer to Best Pneumatics catalogue for details.
- (\*) Only solid state switches can be used on ø50 cylinders.