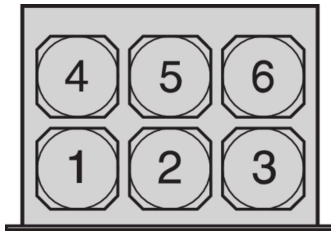
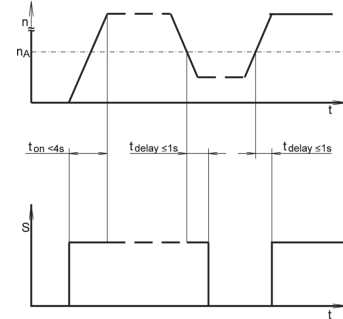
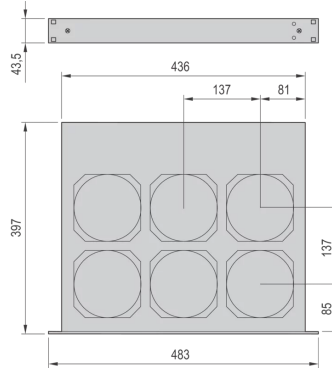
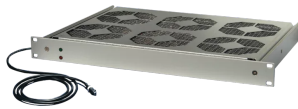


19713-006 19" FAN UNIT, 1 U, SPEED CONTROL AND MONITORING, 6 FANS, 230 VAC



KEY FEATURES

- Range selectable: 20 ... 40 °C and 30 ... 50 °C
- Low noise through temperature dependent air flow
- External sensor, max speed is default failure state
- Function control with LEDs and via dry contact
- Contact protection in accordance with DIN EN ISO 13857

PRODUCT ATTRIBUTES

- Product Type: Fan Unit
- Input Voltage AC: 230 V

ADDITIONAL PRODUCT DETAILS

Fan Unit for installation into a 1 U space within the Cabinet.



North America

All locations
+1.763.422.2661
Chat with us:
schroff.nvent.com

Europe

Straubenhardt, Germany
+49.7082.794.0
Betschdorf, France
+33.3.88.90.64.90
Warsaw, Poland
+48.22.209.98.35
Assago, Italy
+39.02.932.7141
Chat with us:
schroff.nvent.com

Asia

Shanghai, China
+86.21.2412.6943
Qingdao, China
+86.532.8771.6101
Singapore
+65.6768.5800
Shin-Yokohama, Japan
+81.45.476.0271
Chat with us:
schroff.nvent.com

Middle East & India

Dubai, United Arab Emirates
+971.4.378.1700
Bangalore, India
+91.80.6715.2001
Istanbul, Turkey
+90.216.250.7374
Chat with us:
schroff.nvent.com



Our powerful portfolio of brands:
nVent.com **CADDY ERICO HOFFMAN RAYCHEM SCHROFF TRACER**